

Section 6

Parts Data

Thoroughbred 900

Accessories

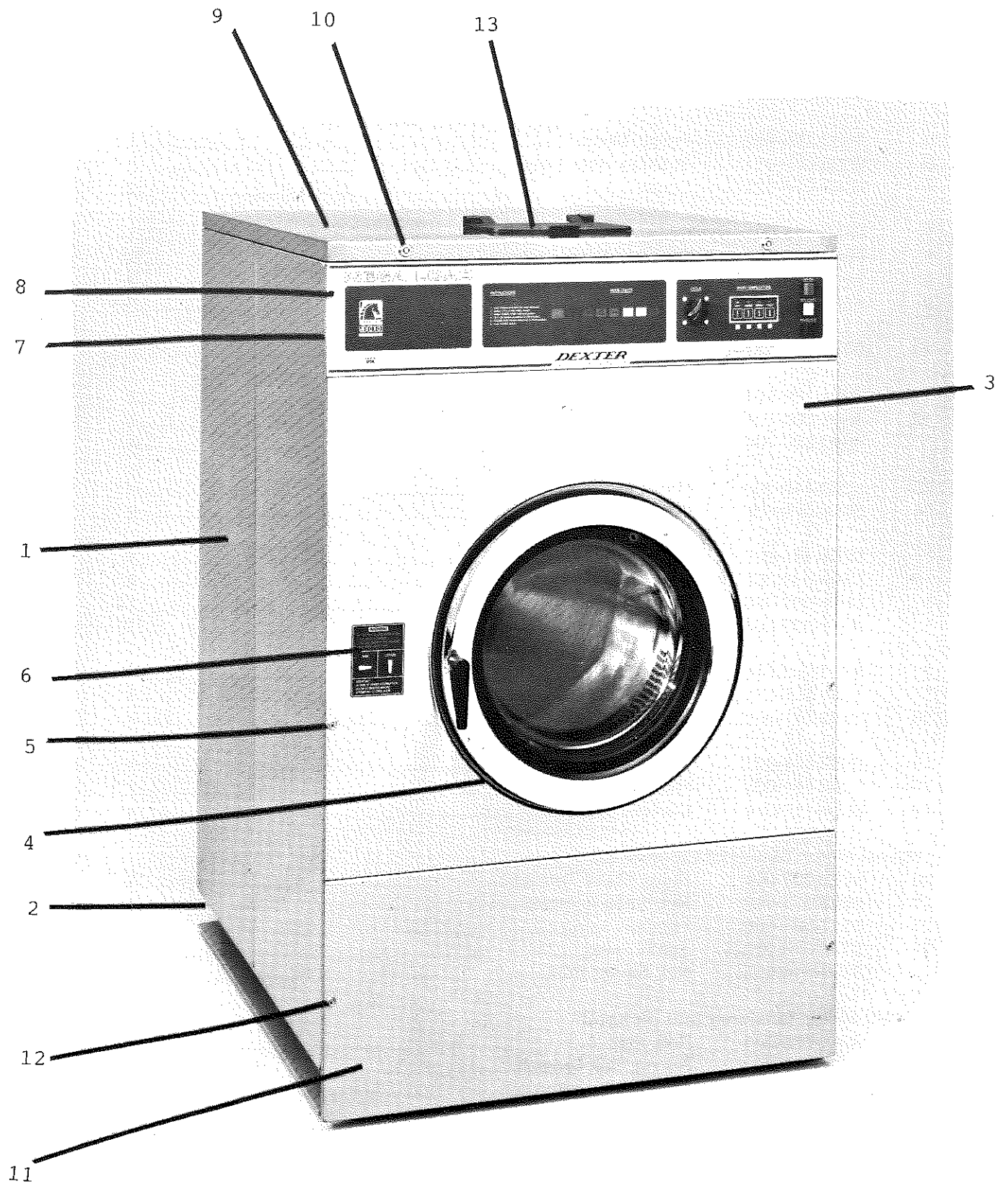
Model **WCN55AEH** 208-240 volts 60hz. Single or Three Phase
Mechanical Timer Industrial Washer

| Part Number | Description |
|------------------|---|
| 9990-027-011 | Hose, Water Supply (furnished)2 |
| 8641-242-000 | Washer, Inlet Hose (furnished)2 |
| 9565-003-001 | Strainer, Inlet Hose (furnished)2 |
| 9732-139-002 | Kit, Door Gasket Expander (large) 1 |
| 9732-139-001 | Kit, Door Gasket Expander (small) 1 |
| 8545-056-001 | Special Tool for adjusting spacing between outer tub front and cylinder front |
| Snap On #CJ-84-C | Puller for pushing cylinder out of bearings |

CABINET AND FRONT PANEL GROUP

| Key | Part Number | Description | |
|-----|--------------|--|---|
| 1 | 9454-672-001 | Panel, Side (Left or Right)Stainless | 4 |
| * | 9545-018-013 | Screw, Side to Side | 8 |
| * | 8640-414-006 | Nut, Keps | 8 |
| 2 | 9966-012-001 | Strap Assy, Side Panel | 4 |
| 2 | 8640-414-006 | Nut | 8 |
| 3 | 9454-671-002 | Panel Assy, Front | 1 |
| 4 | 9059-063-002 | Band, Edge Protector | 1 |
| * | 9545-008-024 | Screw, Hex- To Control Panel..... | 2 |
| * | 8640-399-005 | Nut, Spring- To Control Panel | 2 |
| 5 | 9545-008-014 | Screw, Flat Head- Front to Sides | 2 |
| 5 | 8641-585-001 | Washer, Finish | 2 |
| * | 8640-399-008 | Nut, Spring- To Control Panel | 2 |
| * | 9545-008-023 | Screw, Fillister Head Guide | 2 |
| 6 | 8502-624-002 | Label, Door Opening | 1 |
| 7 | 9989-454-001 | Panel, Control (Mounts Nameplate) | 1 |
| * | 9545-008-024 | Screw, Control Panel Mtg to front | 2 |
| * | 8640-399-005 | Nut, Spring | 2 |
| * | 9545-008-026 | Screw, Hex Wshr-Control Panel to Sides | 4 |
| 8 | 9412-092-001 | Nameplate, Control Panel | 1 |
| * | 9355-001-001 | Locator, Panel | 1 |
| * | 9545-008-025 | Screw, #10 | 1 |
| 9 | 9454-673-001 | Panel, Top | 1 |
| 10 | 8650-012-003 | Lock, Top(w/Key) | 2 |
| * | 9306-025-001 | Key, Top-6324 | 1 |
| * | 9095-038-001 | Cam, Lock Top | 2 |
| * | 8640-426-001 | Nut, 9/32 | 2 |
| * | 8641-581-008 | Washer, Flat..... | 2 |
| 11 | 9108-099-001 | Door, Lower Service | 1 |
| * | 9244-081-003 | Handle (bumper guard) | 1 |
| * | 9545-045-010 | Screw | 1 |
| * | 9545-008-023 | Screw, Fillister Head Guide | 2 |
| 12 | 9545-008-014 | Screw, Flat Head | 2 |
| 12 | 8641-585-001 | Washer, Finish | 2 |
| * | 8640-399-008 | Nut, Spring | 2 |
| 13 | 9108-095-003 | Door, Dispenser | 1 |
| * | 9451-191-001 | Pin, Plain | 2 |
| * | 9467-025-001 | Post, Door Mounting | 2 |
| * | 9545-045-002 | Screw, Dispenser Post Mtg | 4 |
| * | 9545-008-012 | Screw, Dispenser Mounting | 4 |
| * | 8640-399-007 | Nut, Spring | 4 |

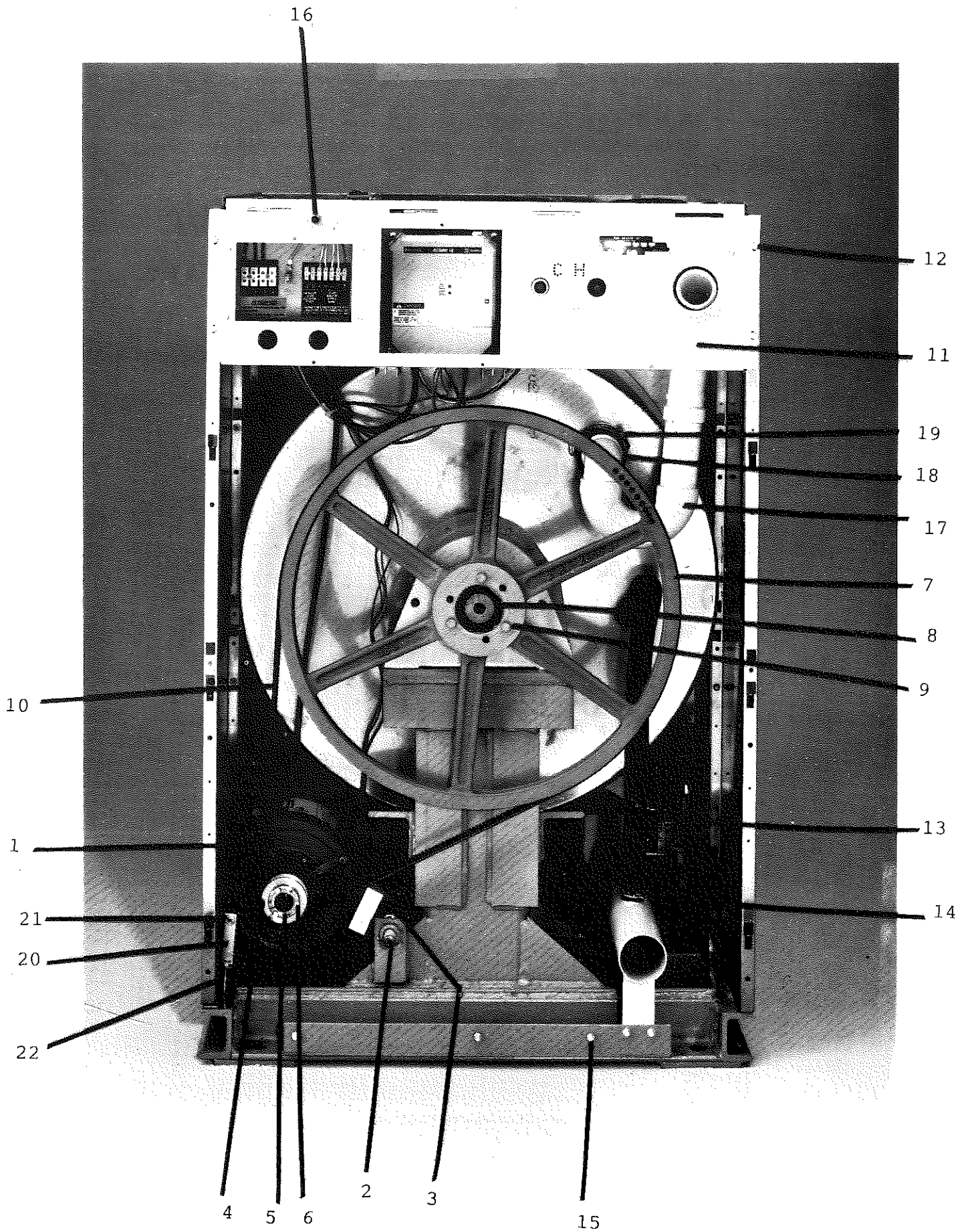
* Not Illustrated



REAR VIEW

| Key | Part Number | Description | |
|---|--------------|-------------------------------------|----|
| 1 | 9376-298-001 | Drive Motor | 1 |
| 2 | 9497-222-004 | Rod, Motor Mtg | 1 |
| * | 9545-029-005 | Screw (end of motor rod) | 1 |
| * | 8641-582-014 | Lockwasher (end of motor rod) | 1 |
| 3 | 9076-052-002 | Collar, Shaft (w/set screws) | 2 |
| 4 | 9453-175-002 | Pulley, Motor | 1 |
| 5 | 9053-077-001 | Bushing, Split Taper | 1 |
| 6 | 9545-018-021 | Screw | 3 |
| 7 | 9453-176-001 | Pulley, Driven | 1 |
| 8 | 9053-076-001 | Bushing, Taper | 1 |
| 9 | 9545-029-011 | Screw | 3 |
| 9 | 8641-582-003 | Lockwasher | 3 |
| 10 | 9040-079-001 | Drive Belt | 2 |
| 11 | 9081-109-001 | Channel, Rear | 1 |
| 12 | 9545-008-026 | Screw | 4 |
| * | 8640-399-004 | Nut, Spring | 4 |
| 13 | 9242-449-003 | Hose, Overflow | 1 |
| 14 | 8654-029-000 | Clamp, Hose | 2 |
| * | 9989-455-001 | Panel Assy., Back | 1 |
| 15 | 9545-030-002 | Screw, To Base- 1/4x3/4 | 4 |
| * | 9545-008-026 | Screw, 10Bx 1/2 | 14 |
| * | 8640-399-004 | Nut, Spring | 10 |
| * | 9242-175-004 | Hose, Pressure Switch | 1 |
| * | 8654-117-015 | Clamp, Pressure Sw. Hose | 1 |
| 16 | 5198-211-004 | Circuit Breaker, 1.5 amp | 1 |
| 17 | 9883-005-001 | Injector Ass'y | 1 |
| 18 | 9242-461-001 | Hose, Injector Ass'y | 2 |
| 19 | 8654-117-014 | Clamp | 4 |
| Original Motor Tensioner (20 thru 23) | | | |
| 20 | 9029-027-004 | Strap, Motor Tension | 1 |
| 21 | 8640-413-002 | Nut, Strap to Motor | 1 |
| 21 | 8641-581-006 | Washer | 1 |
| 22 | 9545-018-020 | Screw 1/4x3 | 1 |
| | 8640-414-003 | Nut, Elastic Stop | 1 |
| Current Motor Tensioner (not pictured) | | | |
| * | 9545-055-001 | Bolt, Eye | 1 |
| * | 9534-151-000 | Spring, Belt Tension | 1 |
| * | 9099-012-001 | Chain, Spring Tension | 1 |
| * | 9341-046-001 | Link, Chain | 1 |
| * | 8640-414-003 | Nut, Stop | 1 |
| * | 8640-413-002 | Nut, Link to Motor | 1 |
| * | 8641-581-006 | Washer | 1 |

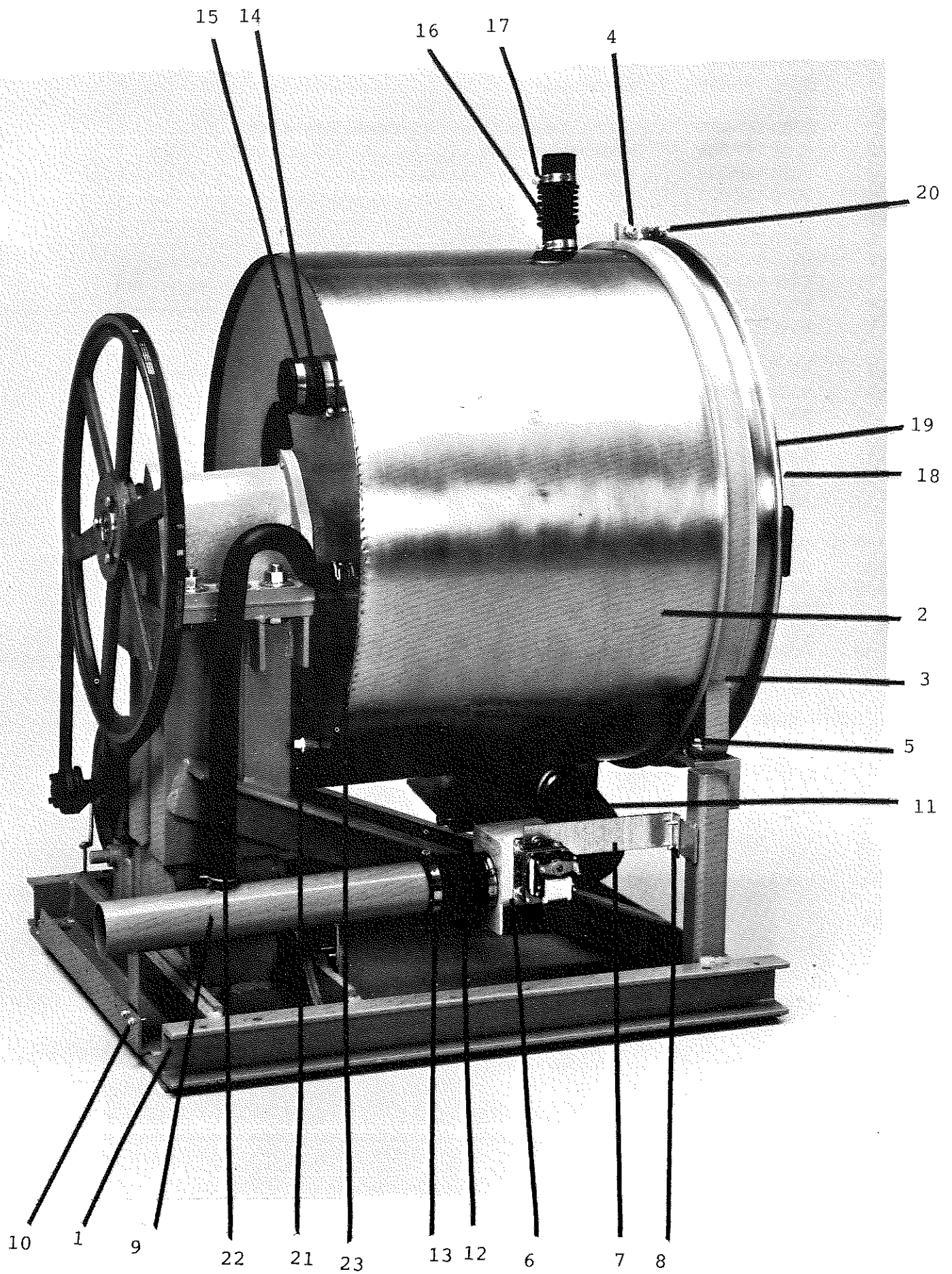
* Not Illustrated



CHASSIS AND DRAIN GROUP

| Key | Part Number | Description | |
|-----|--------------|--|----|
| 1 | 9945-101-002 | Base Assy, Frame | 1 |
| 2 | 9930-138-001 | Tub Assy | 1 |
| 3 | 9950-053-002 | Ring Assy, Tub Mtg-Front | 1 |
| 4 | 9545-017-003 | Screw, 5/8x3 | 1 |
| 4 | 8640-417-002 | Nut | 1 |
| 4 | 8641-582-016 | Lockwasher | 1 |
| 5 | 9545-017-003 | Bolt, 1/2-13x1 3/4, Grd 5 Tub to Base | 2 |
| 5 | 8641-582-016 | Lockwasher | 4 |
| 5 | 8640-417-002 | Nut, Hex | 8 |
| 5 | 8641-581-026 | Washer, Flat | |
| 5 | 9552-013-001 | Shim, Thin | AR |
| 5 | 9552-013-002 | Shim, Thick | AR |
| 6 | 9379-187-001 | Valve, Drain | 1 |
| 7 | 9029-070-001 | Bracket, Drain Valve | 1 |
| * | 9545-048-001 | Screw, Valve to Bracket | 1 |
| * | 8641-581-018 | Washer | 1 |
| 8 | 9545-030-002 | Screw, Bracket to Base | 2 |
| 9 | 9915-120-002 | Tube Assy, Drain | 1 |
| 10 | 9545-030-002 | Screw, Tube Mtg | 4 |
| 11 | 9242-459-001 | Hose, Tub to Drain Valve | 1 |
| 12 | 9242-457-001 | Hose, Drain Valve to Tube | 1 |
| 13 | 8654-117-014 | Clamp, Hose | 4 |
| * | 9610-001-001 | Vacuum Breaker | 1 |
| * | 9029-069-001 | Bracket, Vacuum Breaker | 1 |
| * | 9545-008-005 | Screw | 4 |
| 14 | 9241-461-001 | Hose, Injector Assy | 2 |
| 15 | 8654-117-001 | Clamp | 4 |
| * | 9732-108-002 | Dispenser, | 1 |
| * | 9206-416-001 | Gasket, Dispenser | 1 |
| 16 | 9242-450-001 | Hose, Dispenser to Tub | 1 |
| 17 | 8654-117-008 | Clamp, Dispenser Hose | 2 |
| 18 | 9974-007-001 | Front Ass'y, Tub | 1 |
| 19 | 9950-055-001 | Ring Ass'y, Clamp (tub front to outer tub) | 1 |
| 20 | 9545-029-009 | Screw, 3/8-16x3 | 1 |
| 20 | 8640-415-001 | Nut, Hex 3/8-16 | 1 |
| * | 9206-421-002 | Gasket, Tub Front | 1 |
| 21 | 8615-104-039 | Pipe Plug | 2 |
| 22 | 9242-449-003 | Hose, Overflow | 1 |
| 23 | 8654-029-000 | Clamp, Hose | 2 |

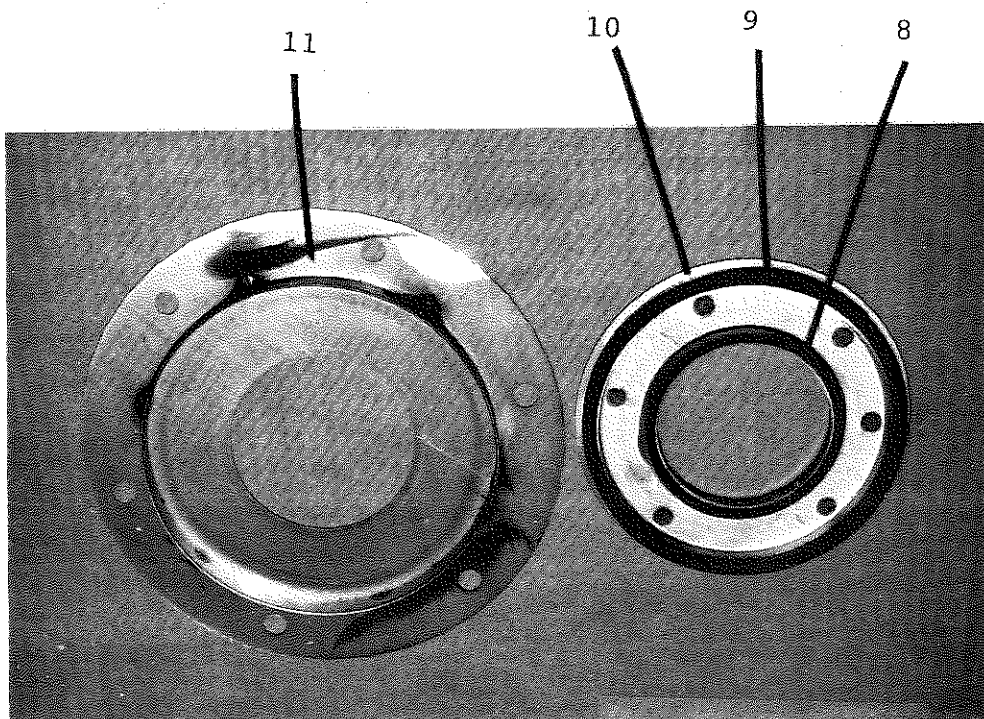
* Not Illustrated

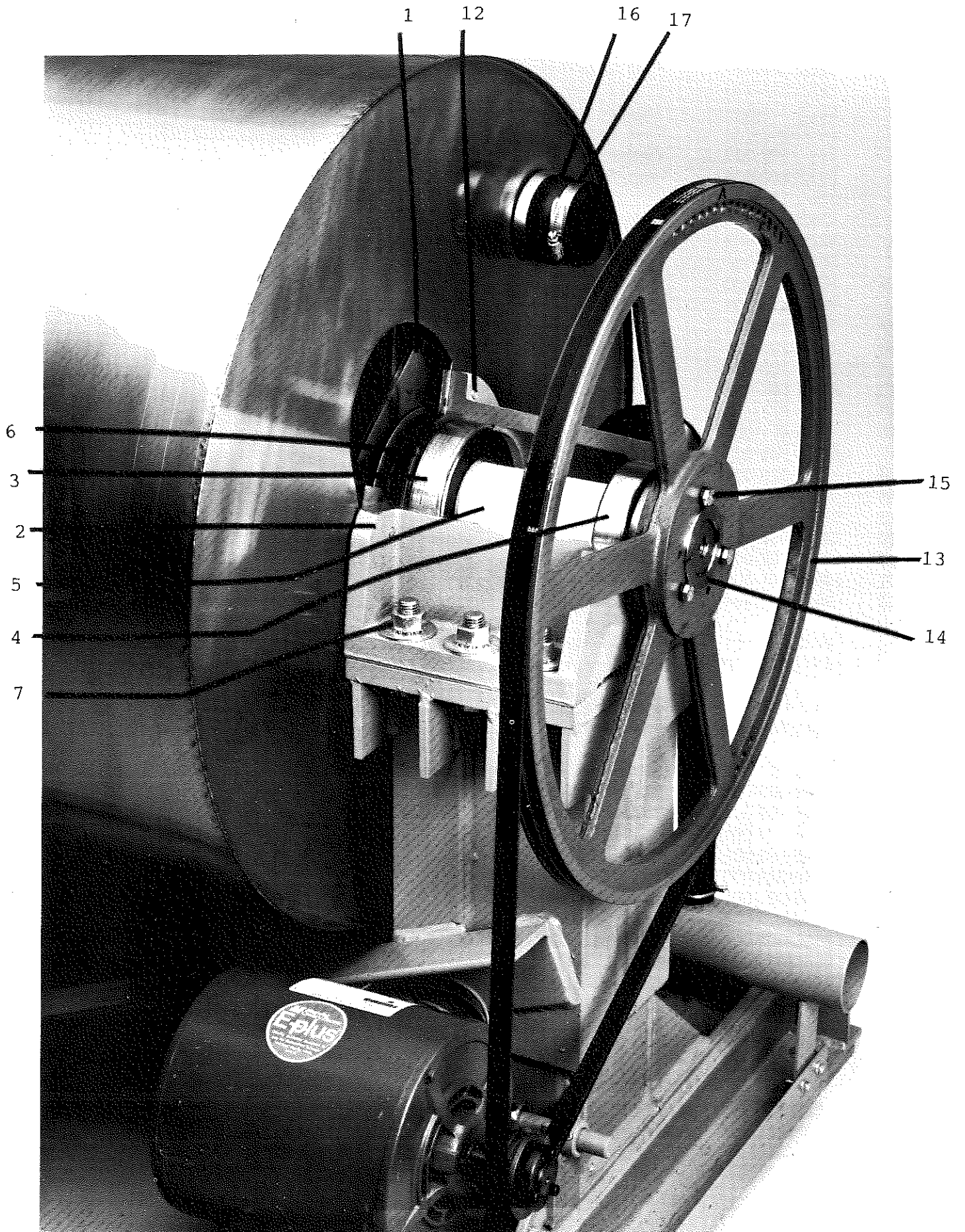


CYLINDER, WATER SEALS & BEARING HOUSING GROUP

| Key | Part Number | Description | |
|-----|--------------|---|---|
| 1 | 9848-116-001 | Cylinder, Assy | 1 |
| * | 9803-187-001 | Housing, Bearing- Assembly (includes items #2-#6) | 1 |
| 2 | 9241-181-004 | Housing, Bearing | 1 |
| 3 | 9036-159-006 | Bearing, Front | 1 |
| 4 | 9036-159-005 | Bearing, Rear | 1 |
| 5 | 9538-170-001 | Spacer, Bearing | 1 |
| 6 | 9487-238-004 | Ring-Retainer, Internal | 1 |
| 7 | 9545-057-002 | Screw, Bearing Housing, 3/4-10 x 2 1/2 | 6 |
| 7 | 8641-581-033 | Washer, Flat- To Frame | 6 |
| 7 | 8641-582-020 | Washer, External Tooth | 6 |
| 7 | 8640-418-003 | Nut | 6 |
| 8 | 9532-140-008 | Seal, Secondary (small) | 1 |
| 9 | 9532-140-007 | Seal, Primary (large) | 1 |
| 10 | 9950-052-001 | Ring, Seal Mtg | 1 |
| 11 | 9950-054-004 | Ring, Seal Tub Back | 1 |
| 12 | 9545-059-004 | Screw, 7/16-14 x 1 Tub Back to Bearing Housing | 6 |
| 12 | 8641-581-034 | Washer, Flat | 6 |
| 13 | 9453-176-005 | Pulley, Driven | 1 |
| 14 | 9053-078-002 | Bushing, Taper | 1 |
| 15 | 9545-029-011 | Screw | 3 |
| 15 | 8641-582-003 | Lockwasher | 3 |
| 16 | 9241-461-001 | Hose, Injector Assy | 2 |
| 17 | 8654-117-001 | Clamp | 4 |

* Not Illustrated

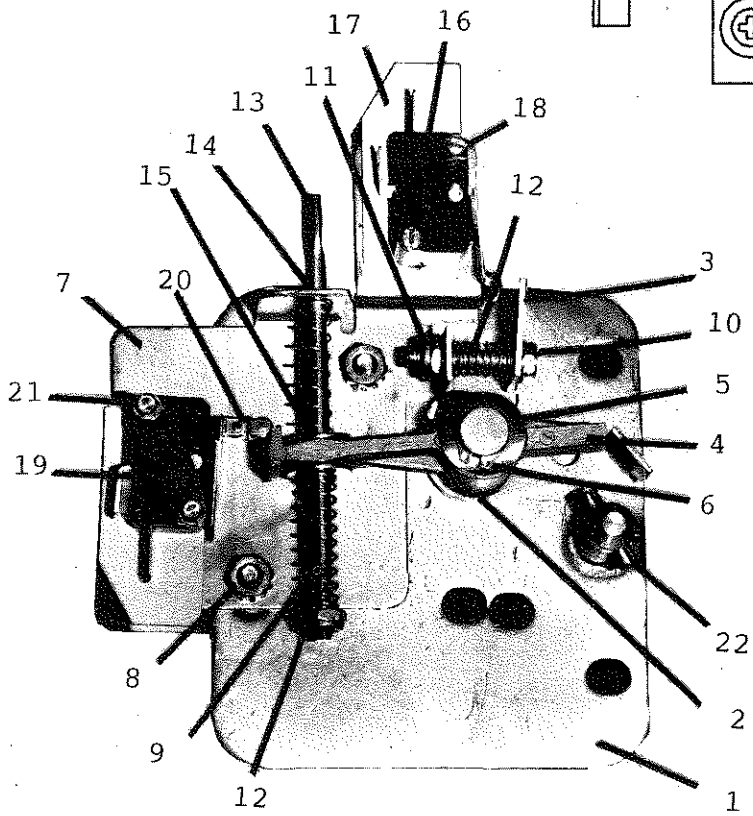
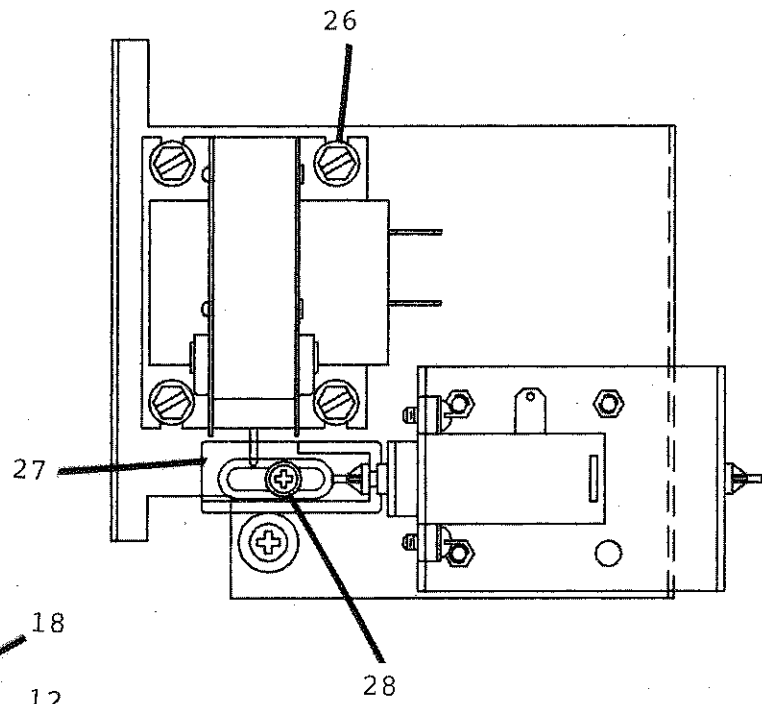
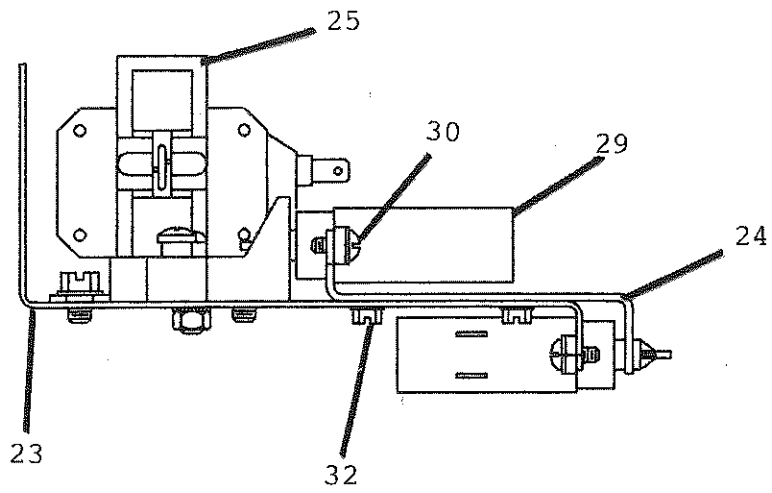




DOOR LOCK GROUP

| Key | Part Number | Description | |
|-----|--------------|--|----|
| * | 9885-023-001 | Lock Assy, Complete includes (1 thru22) | 1 |
| 1 | 9982-284-001 | Plate Assy, Door Lock | 1 |
| 2 | 8641-581-030 | Washer, Flat | 1 |
| 3 | 9008-005-001 | Actuator, Latching Switch | 1 |
| 4 | 9450-002-002 | Pawl, Locking | 1 |
| 5 | 8641-569-003 | Washer, Spring | 1 |
| 6 | 9487-200-004 | Ring, Retaining | 1 |
| 7 | 9029-035-001 | Bracket, Switch | 1 |
| 8 | 8640-413-002 | Nut, Hex | 2 |
| 9 | 9534-364-002 | Spring, Actuating | 1 |
| 10 | 9545-012-020 | Screw, Hx | 1 |
| 11 | 8640-413-004 | Nut, Elastic Stop | 2 |
| 12 | 9534-364-001 | Spring, Return | 2 |
| 13 | 9451-193-001 | Pin, Guide | 1 |
| 14 | 9487-200-005 | Ring, Retaining | 1 |
| 15 | 8641-581-031 | Washer | 2 |
| 16 | 9539-461-003 | Switch, Latching Sensing | 1 |
| 17 | 9550-169-003 | Shield, Switch | 3 |
| 18 | 9545-020-001 | Screw | 2 |
| 18 | 8640-401-001 | Nut, Twin | 1 |
| 19 | 9539-461-004 | Switch, Locking Sensing | 2 |
| 20 | 9008-006-002 | Actuator, Switch | 2 |
| 21 | 9545-020-003 | Screw | 2 |
| 21 | 8640-401-001 | Nut, Twin | 1 |
| 22 | 9451-181-004 | Pin, Dowel | 1 |
| * | 9552-037-001 | Shim, Door Lock, Thin | AR |
| * | 9552-037-002 | Shim, Door Lock, Thick | AR |
| * | 9545-018-014 | Screw, Lock mtg | 3 |
| * | 8641-582-007 | Lockwasher | 3 |
| * | 9922-011-001 | Solenoid Ass'y, Door Locking includes (23 thru 32) | 1 |
| 23 | 9029-073-001 | Bracket, Solenoid | 1 |
| 24 | 9985-169-001 | Bracket Assy, Solenoid Slide | 1 |
| 25 | 9536-074-001 | Solenoid | 1 |
| 26 | 9545-008-001 | Screw, Solenoid Mtg | 4 |
| 27 | 9540-033-002 | Stop, Door Lock Solenoid | 1 |
| 28 | 9545-061-001 | Screw, Shoulder | 1 |
| 28 | 8640-411-003 | Nut, Keps #6 | 1 |
| 29 | 9586-001-001 | Thermoactuator | 2 |
| 30 | 9545-031-004 | Screw | 4 |
| 31 | 9538-157-004 | Spacer, Plastic | 1 |
| 31 | 9538-166-004 | Spacer, Metal | 1 |
| 31 | 9545-010-001 | Screw, Cross Recessed | 1 |
| 31 | 8640-412-005 | Nut, Keps #8 | 1 |
| 32 | 9545-044-003 | Screw, Hx | 3 |
| * | 8640-412-005 | Nut, Sol. Brkt to Control Panel | 3 |
| * | 9497-225-007 | Rod, Pull- Solenoid to Lock | 1 |

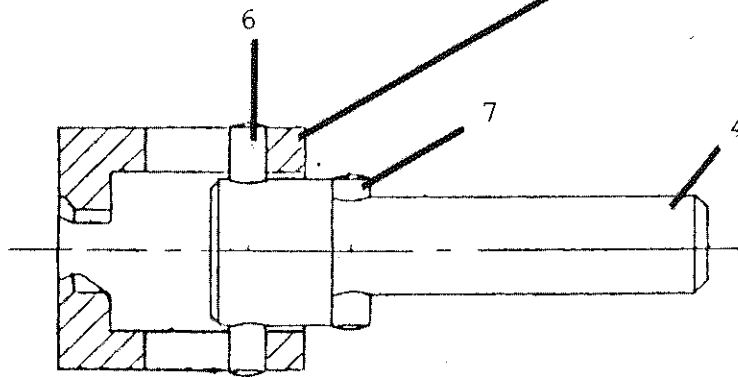
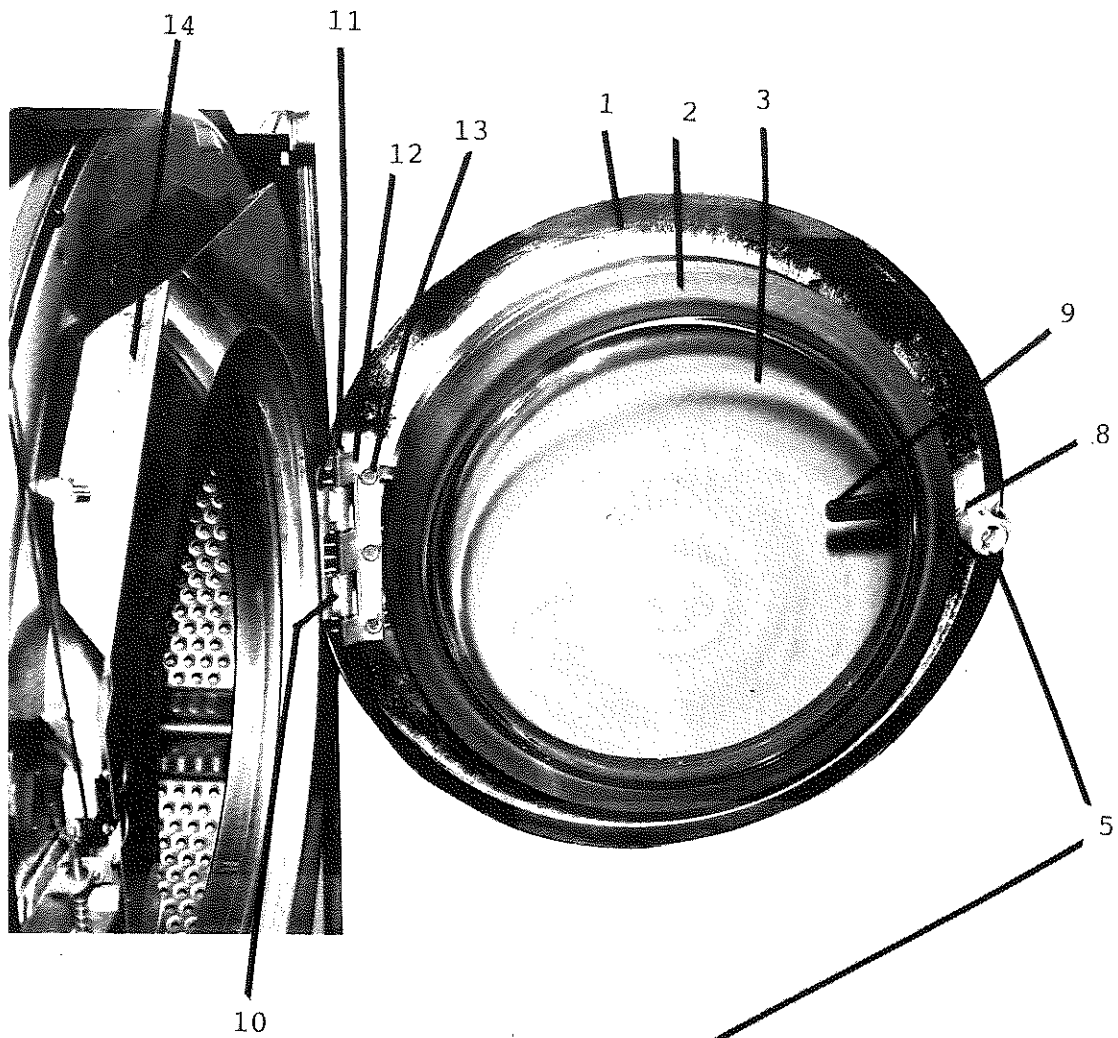
* Not Illustrated



LOADING DOOR GROUP

| Key | Part Number | Description | |
|-----|--------------|---|----|
| * | 9960-259-002 | Loading Door, Complete includes (1thru 9) | 1 |
| 1 | 9487-230-001 | Loading Door, Ring | 1 |
| 2 | 9206-419-001 | Gasket, Loading Door | 1 |
| 3 | 9635-016-001 | Window, Loading Door | 1 |
| | | | |
| * | 9913-134-003 | Shaft Assy, Locking includes (4 thru 7) | 1 |
| 4 | 9537-195-002 | Shaft, Door Locking | 1 |
| 5 | 9095-040-001 | Cam, Locking | 1 |
| 6 | 9451-181-005 | Pin, Groove (1 1/4") | 1 |
| 7 | 9451-181-004 | Pin, Groove (3/4") | 1 |
| | | | |
| 8 | 9534-360-002 | Spring, Lock Cam | 1 |
| 9 | 9244-080-003 | Handle, Door | 1 |
| * | 9451-181-006 | Pin, Door Handle (groove) | 1 |
| | | | |
| 10 | 9955-029-001 | Hinge Assy, Loading Door | 1 |
| * | 9545-014-009 | Screw, Hinge Mtg | 3 |
| * | 8641-582-009 | Lockwasher | 3 |
| | | | |
| * | 9552-036-001 | Shim, Loading Door Hinge, Thin | AR |
| * | 9552-036-002 | Shim, Loading Door Hinge, Thick | AR |
| | | | |
| 11 | 9451-184-003 | Pin, Loading Door Hinge | 1 |
| * | 8649-031-000 | Ring, Retaining | 1 |
| 12 | 9079-122-001 | Clamp, Loading Door Hinge Pin | 1 |
| 13 | 9545-056-001 | Screw, Loading Door Mtg | 3 |
| | | | |
| 14 | 9487-254-001 | Ring, Masking | 1 |
| | 9059-063-002 | Band, Edge | 1 |
| * | 8640-413-002 | Nut, Keps | 4 |

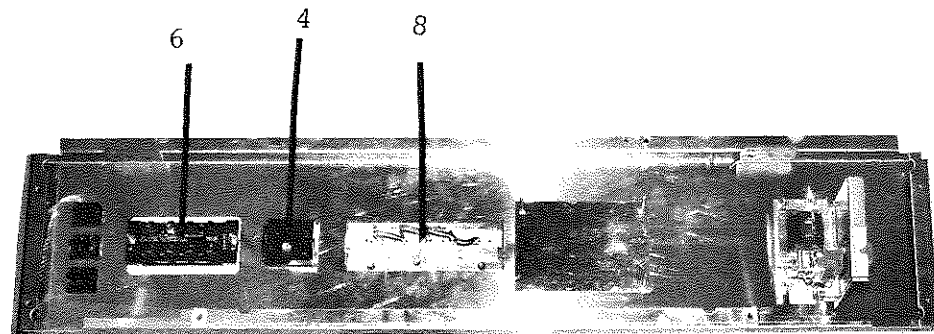
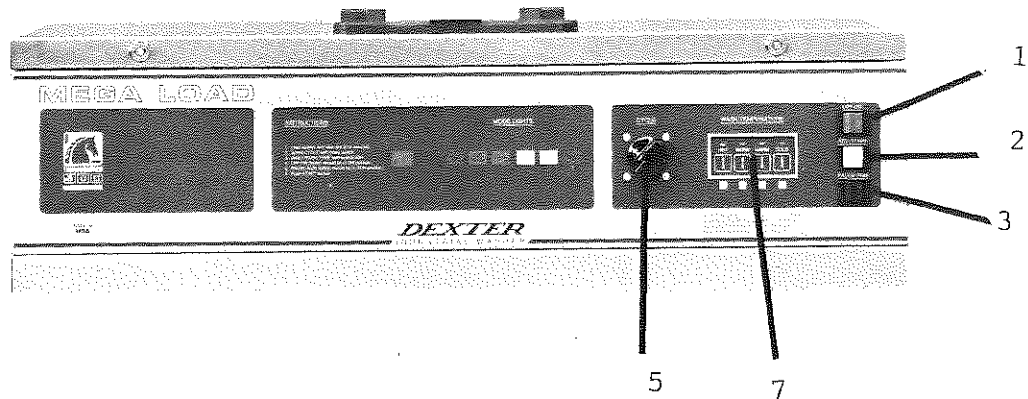
* Not Illustrated



CONTROL PANEL GROUP

| Key | Part Number | Description |
|-----|--------------|--|
| 1 | 9539-474-004 | Switch, Red- OFF/ON |
| 2 | 9539-474-005 | Switch, White- ADVANCE/START |
| 3 | 9539-474-006 | Switch, Blue- PAUSE/RUN |
| 4 | 9539-471-001 | Switch, Rotary Selector |
| 5 | 9307-176-001 | Knob, Control |
| | 9545-044-004 | Screw, 6-32 x 1/4 |
| 6 | 9539-479-007 | Switch, Push button (temperature selector) |
| 7 | 8502-629-007 | Label, Switch |
| * | 8640-412-003 | Nut, Switch Mtg |
| * | 9538-165-001 | Spacer |
| 8 | 3310-041-001 | Light, Cycle Control |
| * | 9206-100-001 | Gasket, Light |

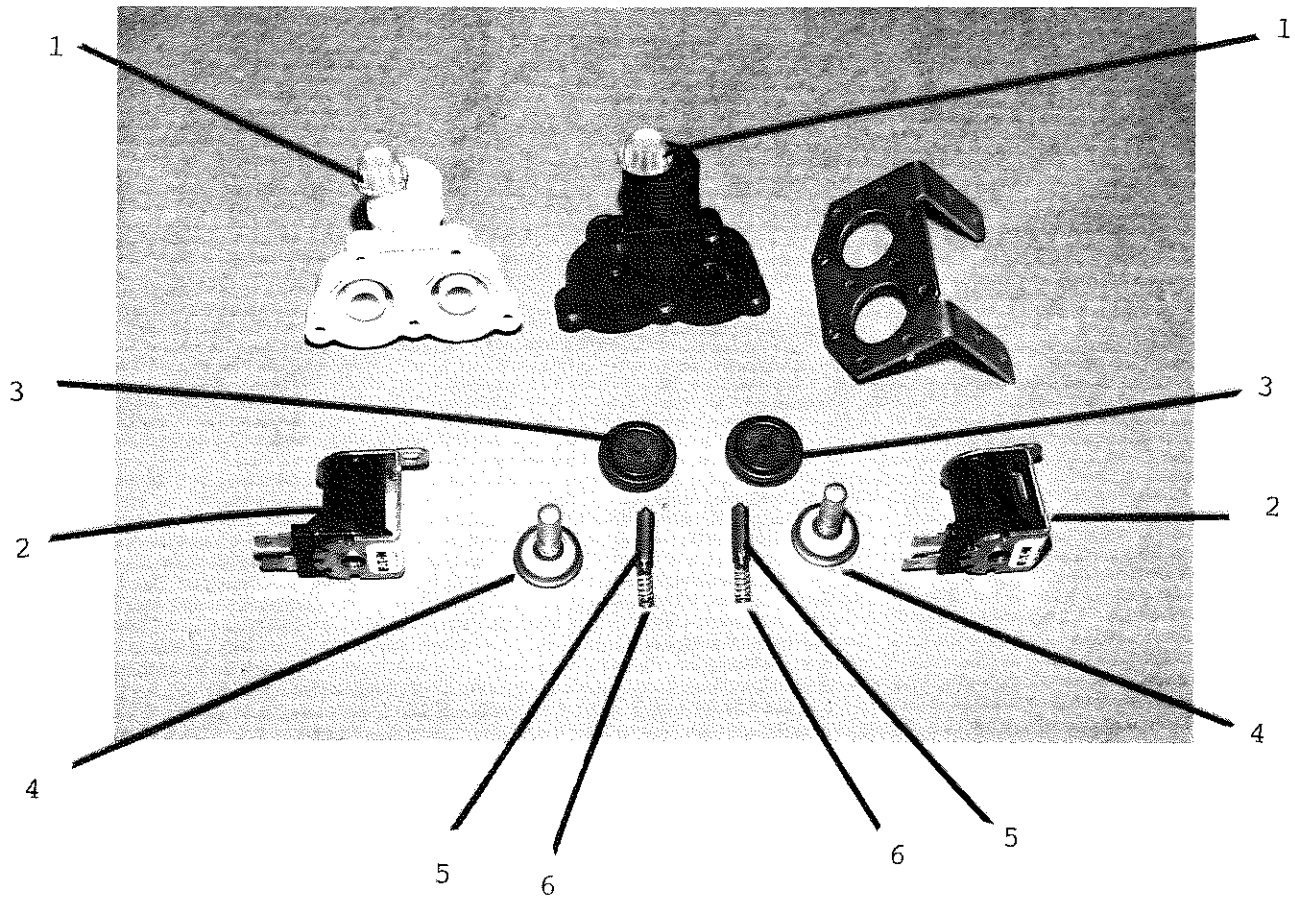
* Not Illustrated



WATER INLET VALVE BREAKDOWN

| Key | Part Number | Description | |
|-----|--------------|--|---|
| * | 9379-183-003 | Valve, Water Inlet Blue (includes #1 thru #6)..... | 1 |
| * | 9379-183-004 | Valve, Water Inlet Black (includes #1 thru #6) | 1 |
| 1 | 9555-056-001 | Screen, Inlet | 2 |
| 2 | 9089-017-001 | Coil Assy., 120 V | 2 |
| 3 | 9118-049-001 | Diaphragm | 2 |
| 4 | 9211-021-002 | Guide, Solenoid | 2 |
| 5 | 9015-008-001 | Armature | 2 |
| 6 | 9534-298-001 | Spring, Armature | 2 |
| * | 9545-008-026 | Screw, Valve Mtg | 2 |

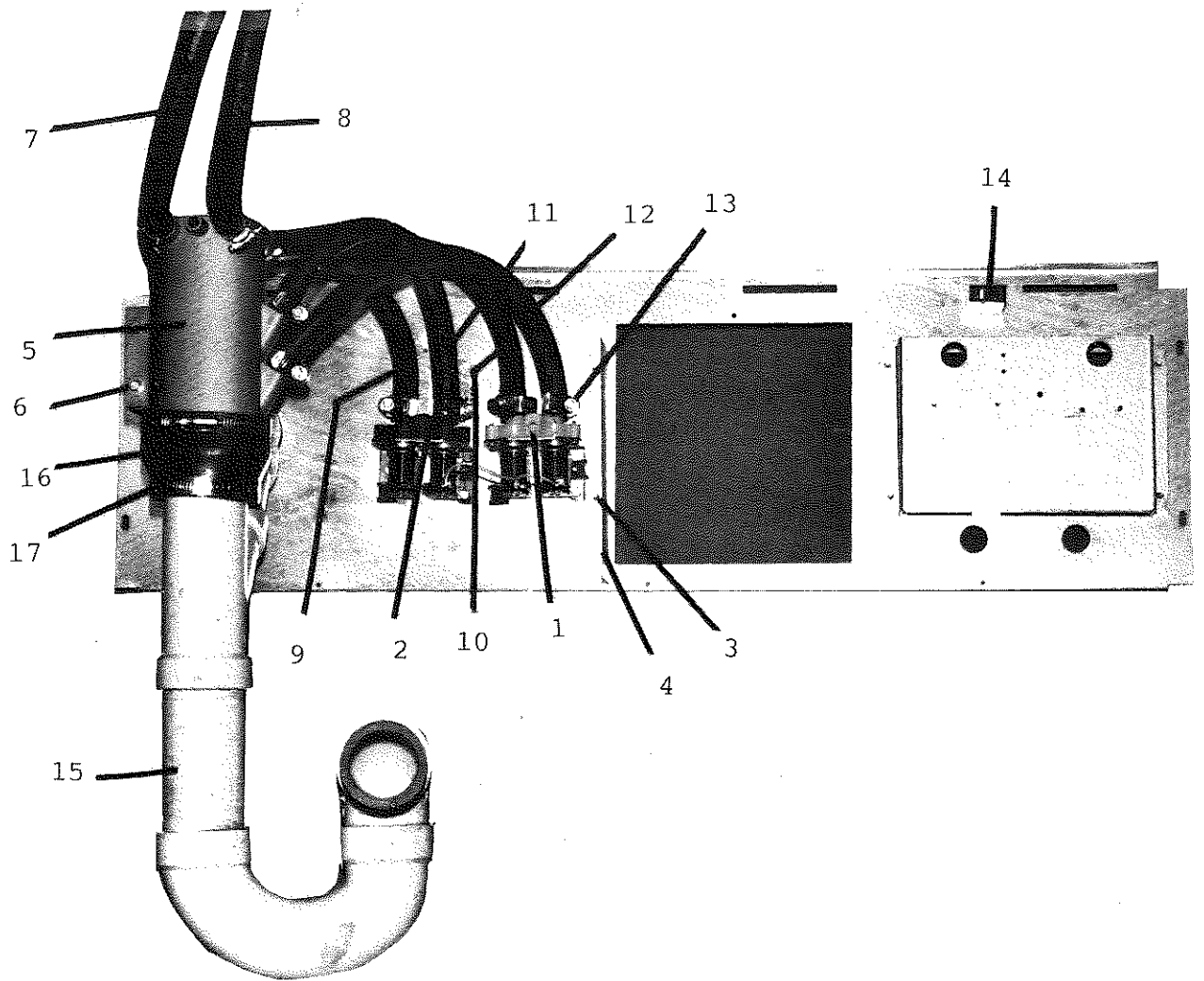
* Not Illustrated



WATER INLET GROUP

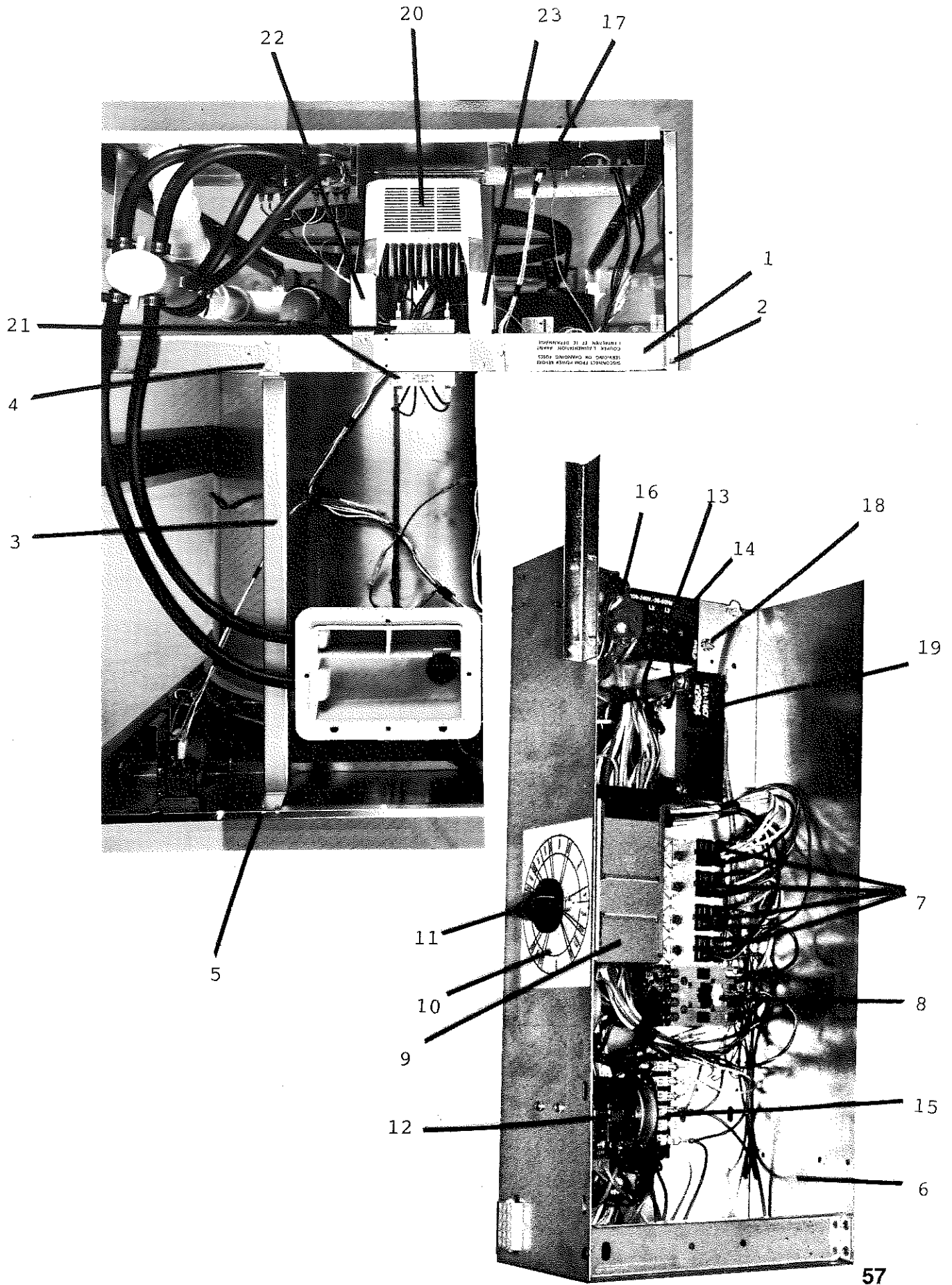
| Key | Part Number | Description | |
|-----|--------------|--|----|
| 1 | 9379-183-003 | Valve, Water Inlet (blue) | 1 |
| | | (see Water Inlet Valve Breakdown for individual parts) | |
| 2 | 9379-183-004 | Valve, Water Inlet (black) | 1 |
| * | 9545-008-026 | Screw, Valve Mtg | 4 |
| * | 8640-399-009 | Nut, Spring | 4 |
| 3 | 9208-049-001 | Guard, Water Valve | 1 |
| 4 | 9545-008-026 | Screw | 2 |
| 5 | 9610-001-001 | Vacuum Breaker | 1 |
| * | 9029-069-001 | Bracket, Vacuum Breaker | 1 |
| 6 | 9545-008-026 | Screw | 4 |
| 7 | 9242-453-018 | Hose, Vac. Brkr. to Wash Dis | 1 |
| 8 | 9242-453-019 | Hose, Vac. Brkr. to Rinse Dis | 1 |
| 9 | 9242-453-015 | Hose, Hot Valve to Vac. Brkr | 1 |
| 10 | 9242-453-007 | Hose, Cold Valve to Vac. Brkr | 1 |
| 11 | 9242-453-015 | Hose, Hot Valve to Tub | 1 |
| 12 | 9242-453-007 | Hose, Cold to Tub | 1 |
| 13 | 8654-117-015 | Clamp, Hose-Worm | 12 |
| 14 | 5198-211-004 | Circuit Breaker | 1 |
| 15 | 9883-005-001 | Injector Assy, Soap | 1 |
| 16 | 9241-461-001 | Hose, Injector Assy | 2 |
| 17 | 8654-117-001 | Clamp | 4 |

* Not Illustrated



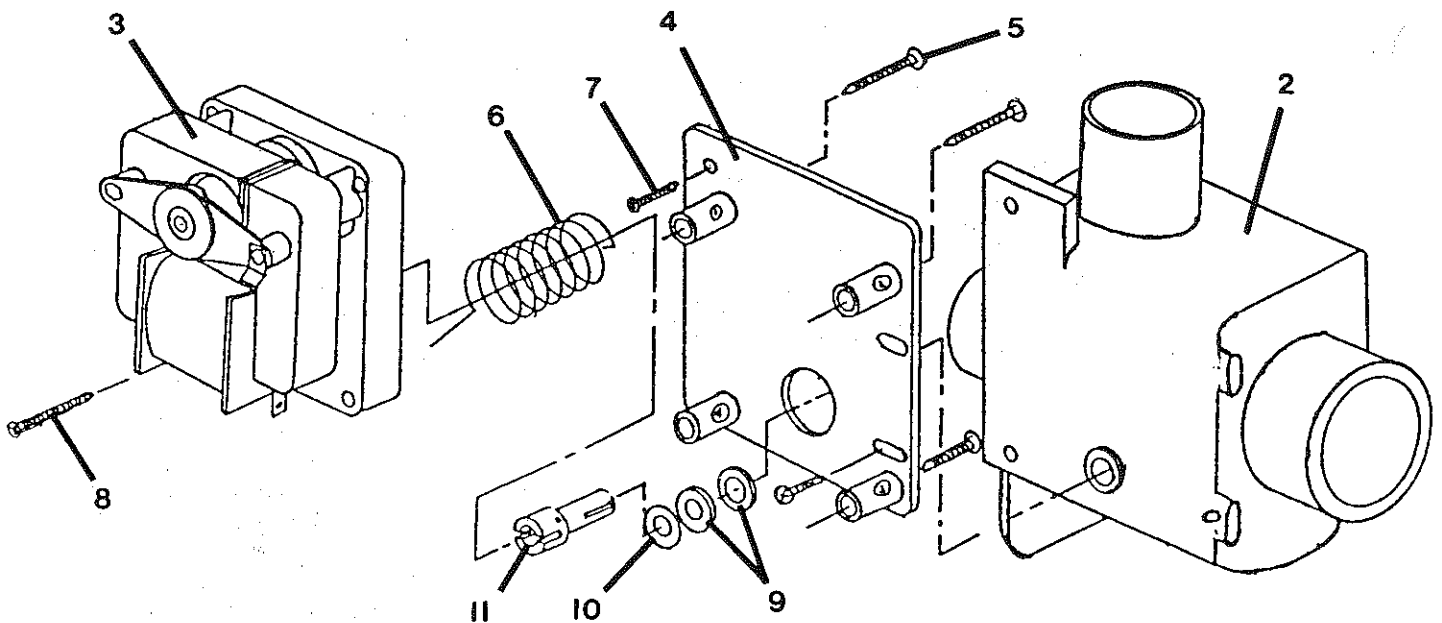
ELECTRICAL COMPONENTS TOP COMPARTMENT

| Key | Part Number | Description | |
|------------------------------------|--------------|--|---|
| 1 | 9081-110-001 | Channel, Trough Mtg | 1 |
| 2 | 9545-008-023 | Screw | 4 |
| 3 | 9081-108-001 | Channel, Dispenser Support..... | 1 |
| 4 | 9545-008-026 | Screw | 2 |
| 5 | 9545-008-001 | Screw, To Cntrl Panel..... | 2 |
| 6 | 9839-013-001 | Trough Assy, Controls Mtg..... | 1 |
| * | 9545-008-005 | Screw | 4 |
| 7 | 5192-285-001 | Relay, Run, Extract, High Level & Hot Rinse..... | 4 |
| 8 | 5192-286-009 | Relay, Spin | 1 |
| 9 | 9571-361-002 | Timer, Program | 1 |
| (VERIFY PART NUMBER ON TIMER BODY) | | | |
| * | 9376-295-004 | Motor, Timer Main Drive..... | 1 |
| * | 9376-286-004 | Motor, Timer Rapid Advance..... | 1 |
| * | 9545-012-001 | Screw, Timer Mtg..... | 2 |
| 10 | 9107-067-001 | Dial, Timer..... | 1 |
| 11 | 9307-176-001 | Knob, Timer (w/set screws) | 1 |
| | 9538-157-006 | Spacer, Knob | 1 |
| 12 | 9571-360-001 | Timer, Reversing..... | 1 |
| * | 9545-044-004 | Screw, Reversing Timer..... | 2 |
| 13 | 9897-028-001 | Terminal Block, 3 Position | 1 |
| 14 | 9558-022-001 | Strip, Terminal Marker | 1 |
| * | 9545-045-007 | Screw, Mtg | 2 |
| 15 | 9897-034-001 | Terminal Block Assy, 6 Position | 1 |
| * | 9558-027-001 | Strip, Terminal Marker | 1 |
| * | 9545-045-007 | Screw, Mtg | 2 |
| 16 | 9539-482-001 | Switch, Pressure | 1 |
| * | 9545-031-003 | Screw | 1 |
| * | 9029-071-001 | Bracket, Pressure Switch..... | 1 |
| * | 9545-045-001 | Screw, Mtg | 2 |
| 17 | 5198-211-004 | Circuit Breaker, 1.5 amp | 1 |
| 18 | 8652-134-001 | Lug, Grounding | 1 |
| * | 8639-621-007 | Screw, Mtg | 1 |
| * | 8641-582-006 | Lockwasher | 1 |
| 19 | 8711-004-001 | Transformer, Control | 1 |
| * | 9545-008-026 | Screw | 1 |
| * | 8641-582-006 | Lockwasher | 1 |
| 20 | 9375-001-002 | Drive, VF-120G | 1 |
| * | 9545-008-026 | Screw | 4 |
| * | 8640-413-002 | Nut, Hex | 4 |
| 21 | 9483-004-001 | Resistor, Braking..... | 2 |
| * | 9545-012-003 | Screw | 4 |
| * | 8640-413-002 | Nut | 4 |
| 22 | 9003-238-001 | Angle, Drive Mtg.-L.H | 1 |
| 23 | 9003-238-002 | Angle, Drive Mtg.-R.H..... | 1 |
| * | 9545-413-002 | Nut | 6 |



DRAIN VALVE GROUP

| Key | Part Number | Description | |
|-----|--------------|-------------------------------------|---|
| 1 | 9379-187-001 | Valve, Drain (includes #2 thru #11) | 1 |
| 2 | 9064-070-001 | Body, Valve (w/ball) | 1 |
| 3 | 9914-137-001 | Motor & Gear Train | 1 |
| 4 | 9452-538-001 | Plate, Motor Mtg | 1 |
| 5 | 8639-994-001 | Screw | 3 |
| 6 | 9534-339-001 | Spring, Drive | 1 |
| 7 | 9545-054-001 | Screw | 2 |
| 8 | 9545-054-002 | Screw | 1 |
| 9 | 9532-134-001 | Seal, V Packer | 2 |
| 10 | 8641-584-001 | Washer | 1 |
| 11 | 9451-196-001 | Pin, Main Drive | 1 |



TERMINAL BLOCKS

| Key | Part Number | Description | |
|-----|--------------|----------------------------------|---|
| * | 9897-034-001 | Terminal Block, 6 Position | 1 |
| * | 9558-027-001 | Terminal Marker Strip | 1 |
| * | 9545-045-007 | Screw | 2 |
| | | | |
| * | 9897-028-001 | Terminal Block, 3 Position | 1 |
| * | 9558-022-001 | Terminal Marker Strip | 1 |
| * | 9545-045-007 | Screw | 2 |
| | | | |
| * | 9897-033-001 | Terminal Block, 4 Position | 1 |
| * | 9558-025-001 | Terminal Marker Strip | 1 |
| * | 9545-031-010 | Screw | 2 |
| | | | |
| * | 9897-032-002 | Terminal Block, 7 Position | 1 |
| * | 9558-028-001 | Terminal Marker Strip | 1 |
| * | 9545-053-002 | Screw | 2 |
| | | | |
| * | 8652-134-001 | Terminal Lug, Ground | 1 |
| * | 8639-621-007 | Screw | 1 |
| * | 9544-041-002 | Lockwasher | 1 |
| | | | |
| * | 8652-130-037 | Terminal, Grounding | 1 |
| * | 8639-621-007 | Screw | 1 |
| * | 9544-041-002 | Lockwasher | 1 |

LABELS

| Key | Part Number | Description | |
|-----|--------------|--------------------------------------|---|
| * | 8502-624-002 | Label, Warning Door Opening | 1 |
| * | 8502-614-004 | Label, High Voltage | 1 |
| * | 8502-647-001 | Label, Connections- Injector | 1 |
| * | 8502-649-001 | Label, Connections- Electrical | 1 |
| * | 8502-619-004 | Label, Fusing & Installation | 1 |

WIRING HARNESS GROUP

| Key | Part Number | Description | |
|-----|--------------|---|---|
| * | 9627-688-001 | Wiring Harness, Power Term Blk..... | 1 |
| * | 9627-690-001 | VF Power Drive | 1 |
| * | 9627-692-001 | Wiring Harness, Main | 1 |
| * | 9627-694-001 | Wiring Harness, Control | 1 |
| * | 9627-693-001 | Wiring Harness, VF Control Shield | 1 |
| * | 9627-691-001 | Wiring Harness, Injection Control | 1 |
| * | 9627-683-001 | Wiring Harness, Drain Valve | 1 |
| | | | |
| * | 8654-125-001 | Clamp, Cable- 1/4 Dia | 1 |

* Not Illustrated