



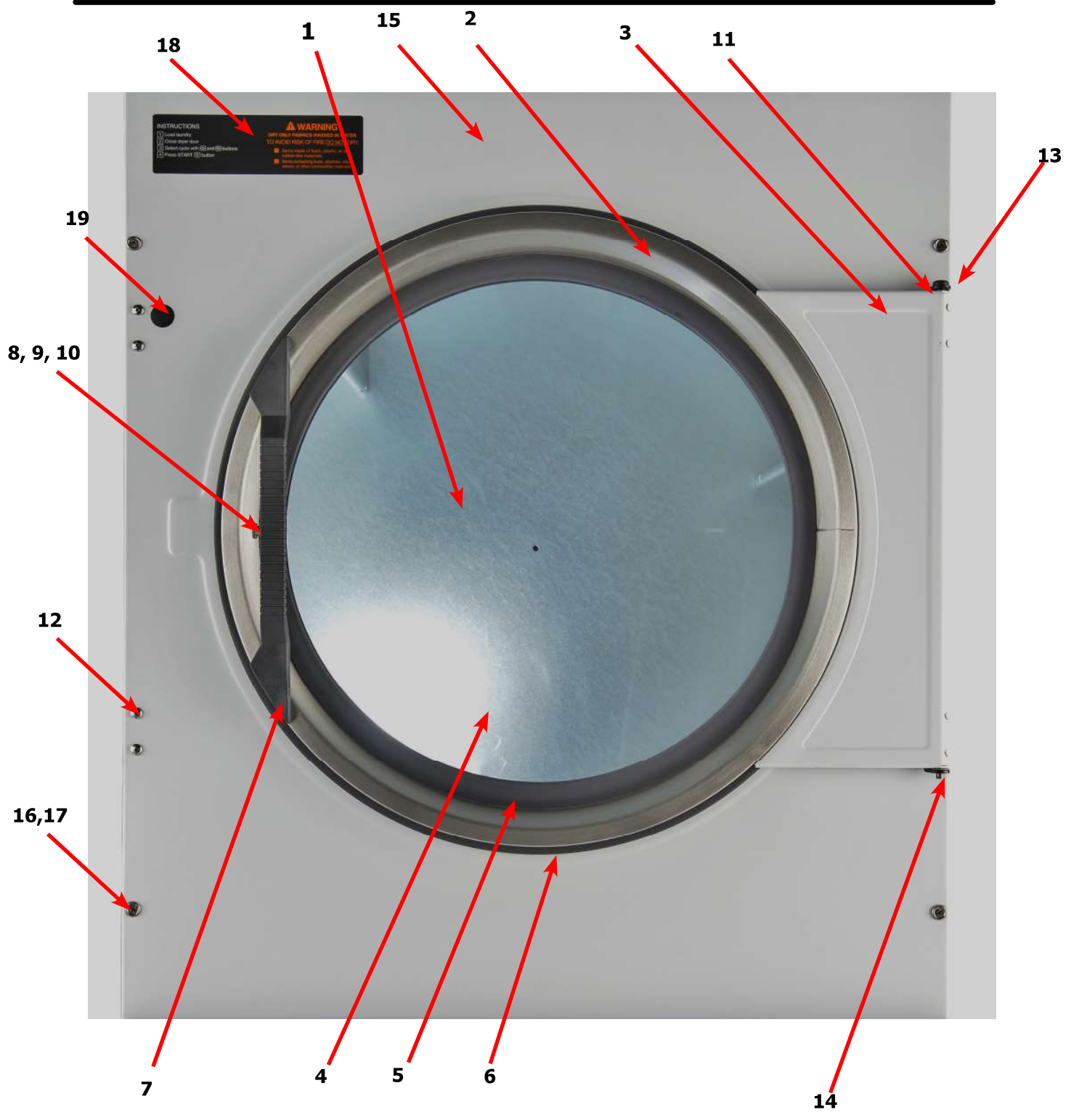
DN0050ND-11EO
DN0080ND-11EO
DN0080ND-10EO

Section 5:

Dryer Parts

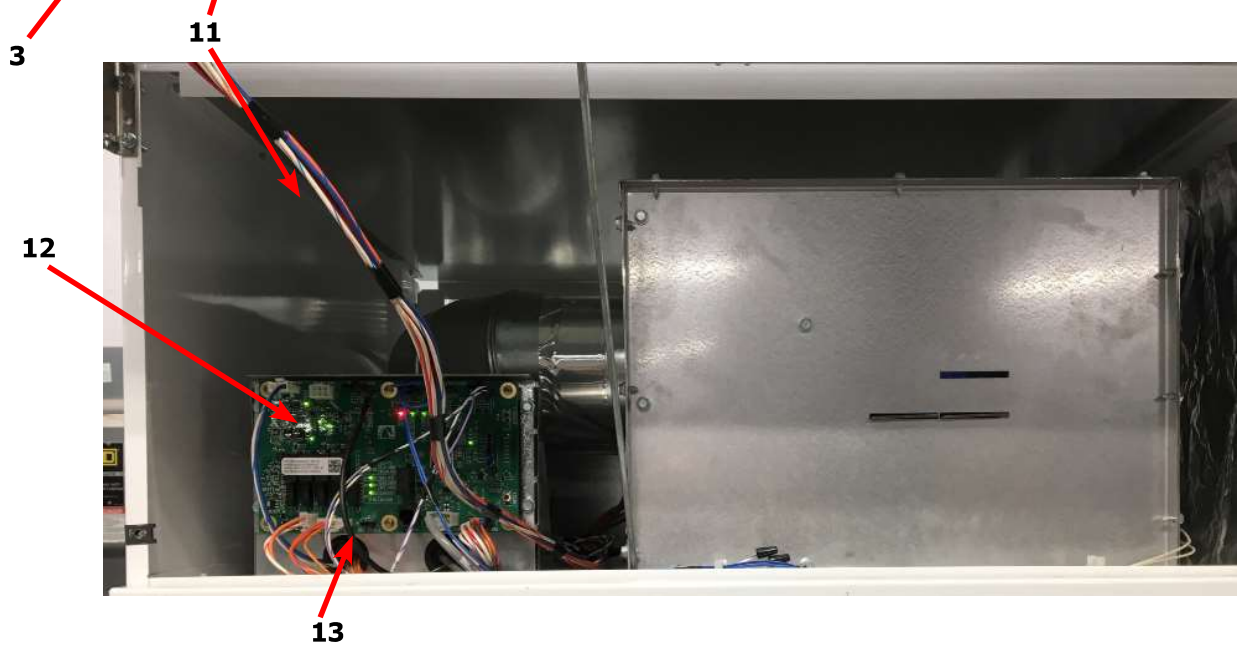
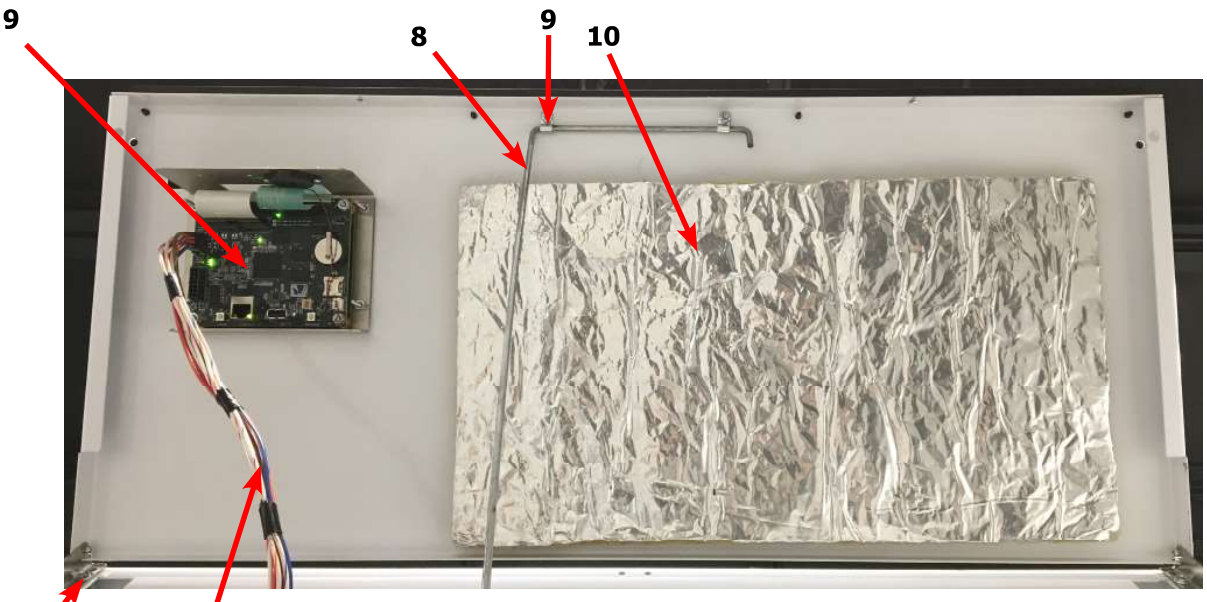
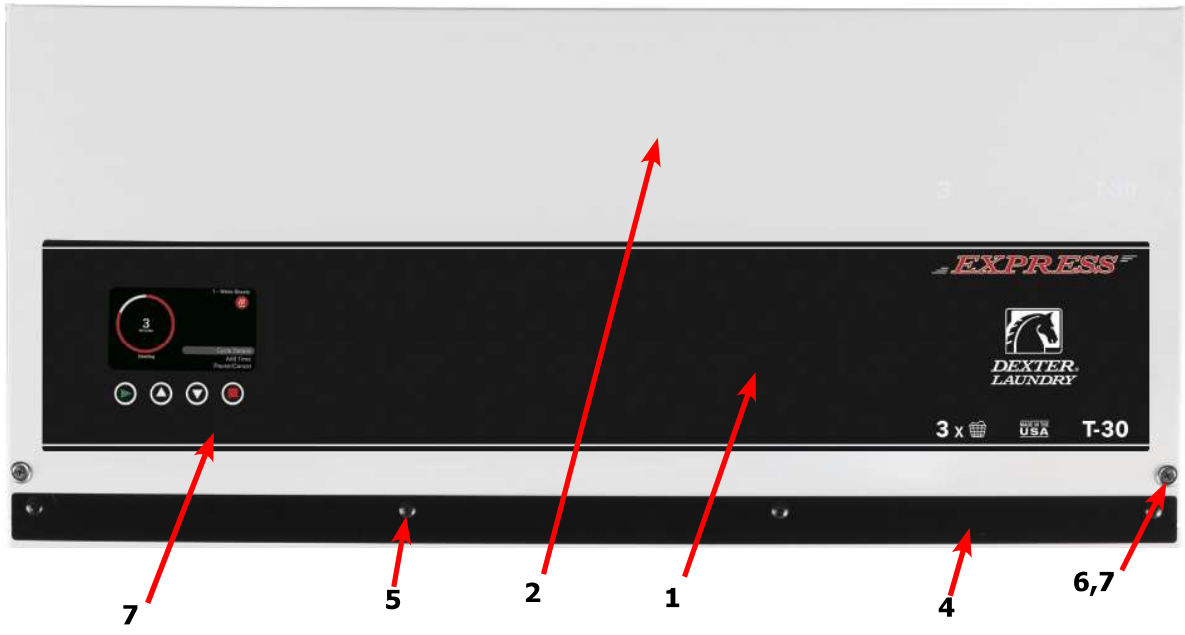
Dryer Cabinet Group

Key	Description	T-50	T-80	QTY
1	Loading Door Complete SS/Brushed SS/Blk	9960-305-001	9960-305-001	1
1	Loading Door Complete Wht/Brushed SS/Blk	9960-305-003	9960-305-003	1
2	Door Assy, Loading (Ring only) Brushed SS	9960-284-002	9960-284-002	1
3	Plate Assy, Hinge (SS)	9982-368-001	9982-368-001	1
3	Plate Assy, Hinge (Wht)	9982-368-003	9982-368-003	1
*	Cover-Hinge Back, Black	9074-340-002	9074-340-002	1
*	Screw-10Bx3/8, Black	9545-008-010	9545-008-010	2
*	Screw Hinge to Door	9545-012-015	9545-012-015	4
*	Nut, Hinge to Door	8640-413-002	8640-413-002	4
4	Glass, Door	9212-002-004	9212-002-004	1
5	Gasket, Door Glass (Black)	9206-413-002	9206-413-002	1
*	Support Door Glass	9548-117-000	9548-117-000	2
6	Gasket, Door Outer Rim (Black)	9206-420-005	9206-420-005	1
7	Handle, Loading Door	9244-082-001	9244-082-001	1
*	Screw, Handle	9545-018-017	9545-018-017	2
8	Stud Door Catch	9531-033-002	9531-033-002	1
9	Nut-Hex, #10-32	8640-413-001	8640-413-001	1
10	Nut, Acorn	8640-413-003	8640-413-003	1
*	Catch, Loading Door	9086-015-002	9086-015-002	2
*	Rivit	8638-190-009	8638-190-009	4
11	Strap, Hinge (Black)	9966-014-002	9966-014-002	1
*	Plate Assy-Backup, Hinge	9982-356-001		2
*	Plate Assy-Backup, Hinge		9982-369-001	1
*	Reinforcement-Front panel		9817-003-001	1
12	Screw-Phillips, 10-32x1/2 Chrome	9545-012-003	9545-012-003	8
*	Screw-Phillips-Counter sink, 10-32x1/2 Chrome	9545-012-028	9545-012-028	4
13	Screw-Special, Hinge to Door	9545-052-001	9545-052-001	1
*	Nut-Allen, 1/4-20	8640-439-001	8640-439-001	1
14	Washer-Fiber/Plastic	8641-436-003	8641-436-003	1
15	Front Panel Assy (Wht)	9989-624-008	9989-625-008	1
15	Front Panel Assy (S.S)	9989-624-007	9989-625-007	1
16	Screw-Phillips, 10Bx1 3/4	9545-008-014	9545-008-014	4
17	Washer-Finish	8641-585-001	8641-585-001	4
*	Nut-Spring	8640-399-001	8640-399-001	4
*	Insulation-Front Panel, Top Half	9277-057-001	9277-058-001	1
*	Insulation-Front Panel, Bottom Half	9277-057-001	9277-058-002	1
18	Label-Warning	8502-758-001	8502-758-001	1
19	Plug-Front Panel	9456-050-001	9456-050-001	1
*	Switch-Door Closed	9539-492-001	9539-492-001	1
*	Wiringharness-door Switch	9627-918-001	9627-918-001	1
*	Wire-Assy-Blu	8220-063-009	8220-063-009	1
*	Cover-doorswitch		9074-351-001	1
*	Nut-hexkeps,#10-32unf,2b		8640-413-002	1
*	Bushing-insulated,1/2"		9053-067-003	1
*	Bracket-panelattachment		9039-981-001	1
*	Clamp-conduit/wiring		8654-126-004	3
*	Screw-hxwshrndrcuthtd,10abx3/8		9545-008-024	4



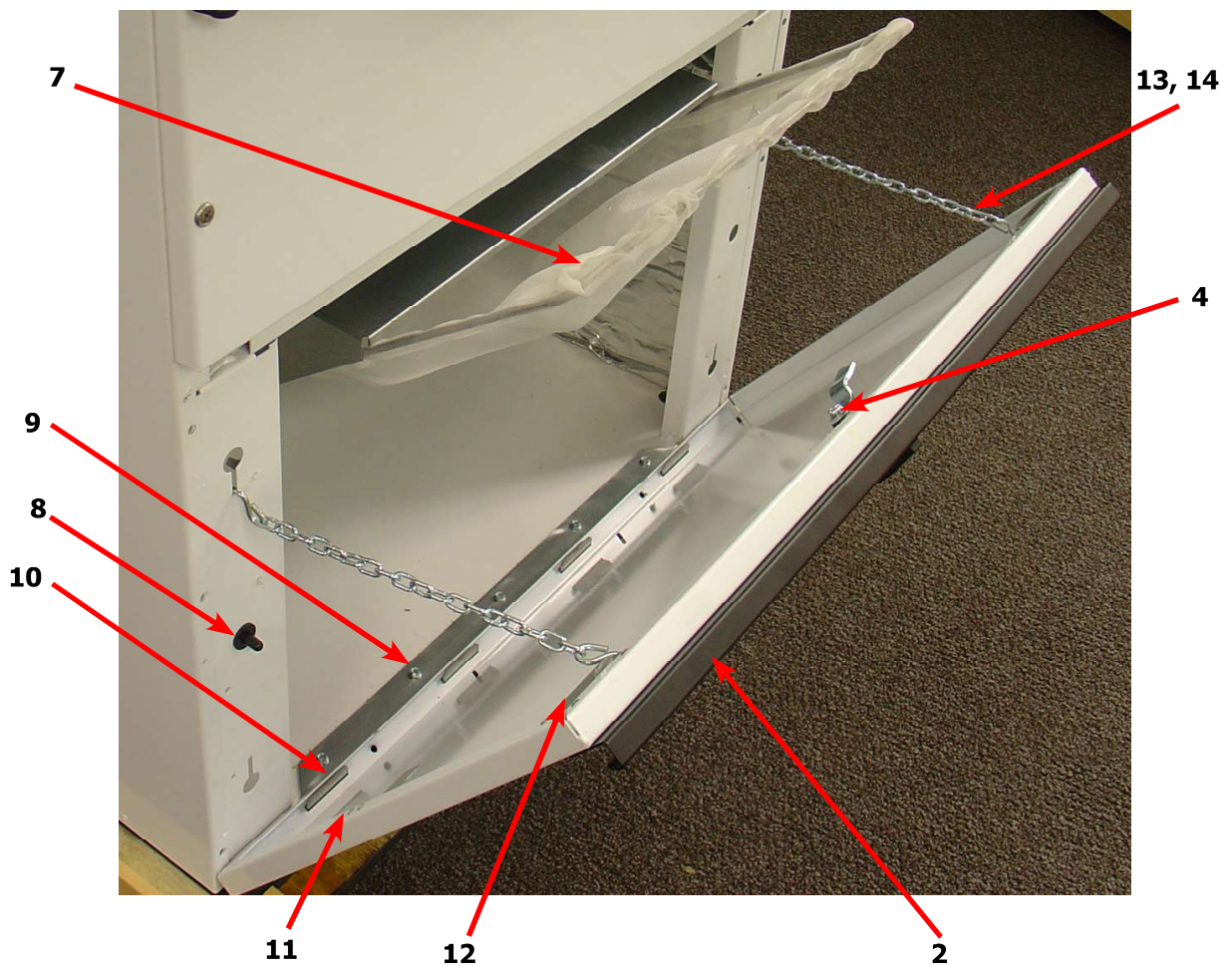
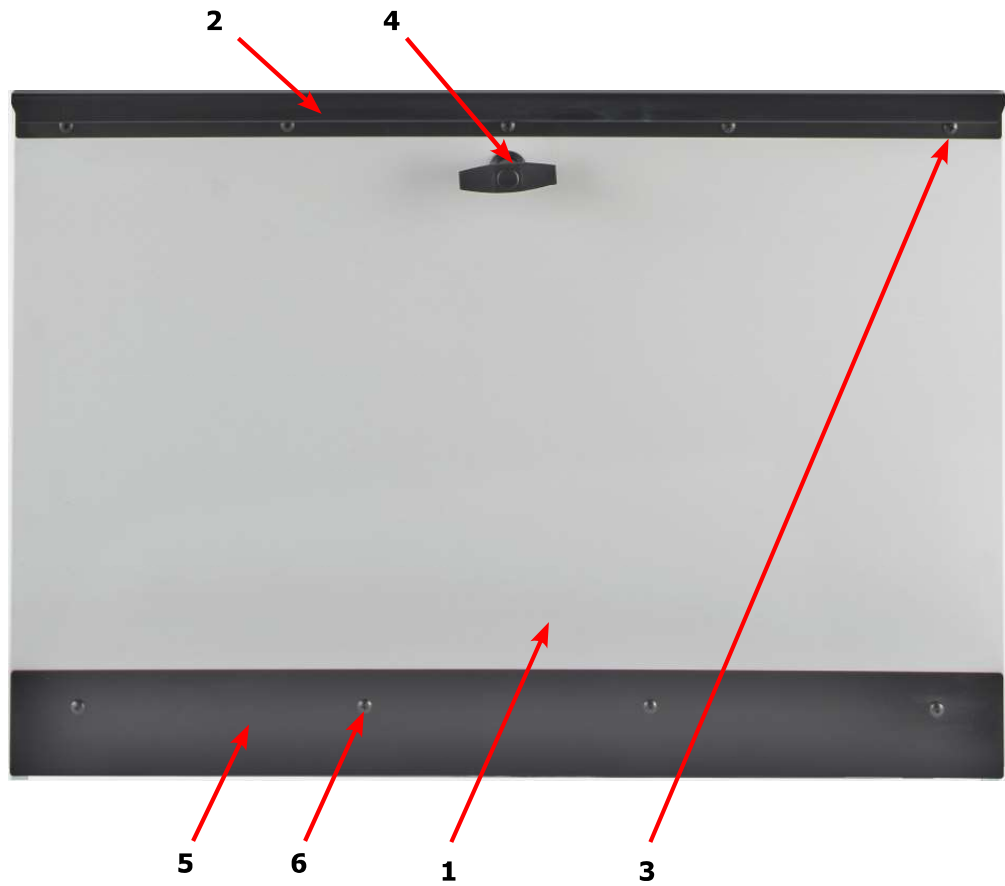
Dryer Cabinet Group Continued

Key	Description	T-50	T-80	QTY
1	Nameplate - Dexter Dryer Black	9412-253-001	9412-254-001	1
2	Door Assy-Upper, OPL (SS)	9960-326-009	9960-327-009	1
2	Door Assy-Upper, OPL (Wht)	9960-326-010	9960-327-010	1
3	Bracket-Hinge	9029-224-001	9029-224-001	2
*	Screw-hxwshd,10-33/4	9545-012-006	9545-012-006	4
*	Nut-hexkeps,#10-32unf,2b	8640-413-002	8640-413-002	4
*	Rivit- 3/16, Hinge to Door	9491-009-001	9491-009-001	AR
4	Trim-Upper Service Door, Black	9578-094-002	9578-096-002	1
5	Screw-Phillips, 10Bx3/8, Black	9545-008-010	9545-008-010	4
6	Screw-Phillips, 10Bx1 3/4	9545-008-014	9545-008-014	2
7	Washer-Finish	8641-585-001	8641-585-001	2
*	Nut-Spring	8640-399-001	8640-399-001	2
8	Support-Upper Service Door	9548-288-002	9548-288-002	1
*	Clamp-tube	9079-121-002	9079-121-002	2
*	Nut-hexkeps,#6-32	8640-411-003	8640-411-003	2
9	Contrlassy-display,2.0,opl,dry	9857-230-002	9857-230-002	2
*	Button-control,2.0,opl	9035-063-001	9035-063-001	1
*	Window-display,lcd(w/gasket)	9635-021-002	9635-021-002	1
*	Nut, #6-32	8640-411-003	8640-411-003	4
*	Clamp-Cable, 1/2"	9079-121-002	9079-121-002	2
*	Nut, #6-32	8640-411-003	8640-411-003	1
10	Insulation	9277-041-016	9277-041-016	1
11	Harness-Control	9627-922-001	9627-922-001	1
*	Harness-Temp Probe	9627-917-001	9627-917-001	1
12	Pcbassy-maincontrol	9799-027-001	9799-027-001	1
*	Bracket-mtg,control	9029-301-001	9029-301-001	4
*	Screw-hxwshrhdndct,#10bx1/2	9545-008-024	9545-008-026	4
*	Wireasy,2.0,t-1200/t-30fss	8220-158-028		1
	Wireasy,2.0,t-1450/t-80fss		8220-158-029	1
*	Wiringharness-power,relay	9627-919-001	9627-919-001	1
*	Cableassy-usb,snopin	9806-024-001	9806-024-001	1
13	Bracket-mtg,control	9029-301-001	9029-301-001	1
*	Screw-hxwshrndrcuthd,10abx3/8	9545-008-024	9545-008-024	4
*	Bushing-insulated,1"	9053-067-004	9053-067-004	2
*	Wireasy-grn/yel,56"	8220-137-004	8220-137-004	1
*	Screw-hxwshrhdsl,10-32ttx1/2grn	9545-008-027	9545-008-027	1
*	Lockwasher-exttooth,#10	8641-582-006	8641-582-006	1
*	Terminal-grounding	8652-130-037	8652-130-037	1



Dryer Cabinet Group Continued

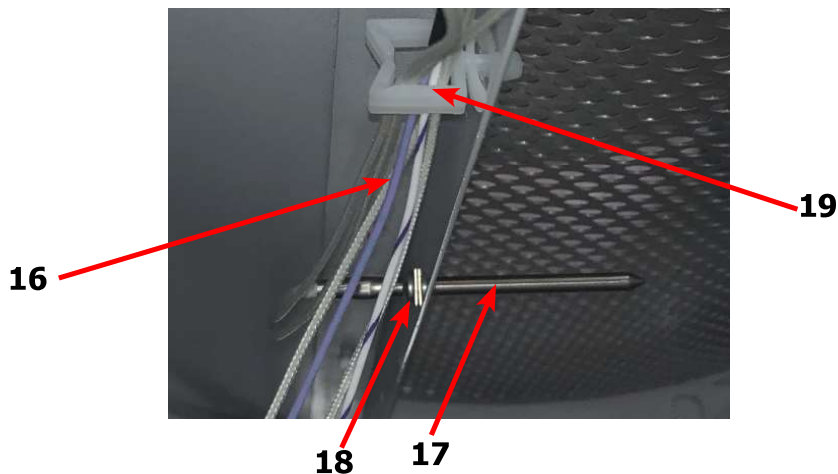
Key	Description	T50	T-80	QTY
1	Door-Lower Service, OPL, SS	9960-322-003	9960-323-003	1
1	Door-Lower Service, OPL, Wht	9960-322-004	9960-323-004	1
2	Handle-Door, Lower Service, Black	9244-087-002	9244-088-002	1
3	Screw-Phillips, 10Bx3/8, Black	9545-008-010	9545-008-010	5
4	Handle-Door, Lower Service OPL	9244-084-002	9244-084-002	1
5	Trim-Lower Kick, Black	9578-095-002	9578-097-002	1
6	Screw-Phillips, 10Bx3/8, Black	9545-008-010	9545-008-010	4
7	Screen Assy, Lint	9822-026-001	9822-031-002	1
8	Switch-Door Closure	9539-492-001	9539-492-001	1
9	Hinge-Door, Lower	9243-082-001	9243-082-001	1
10	Screw-5/16, 10ABx3/8	9545-008-024	9545-008-024	5
11	Bracket-Door Switch	9029-226-001	9029-226-001	1
*	Rivit, 1/8 Low Profile	9491-009-004	9491-009-004	2
12	Bracket-Chain	9029-223-001	9029-223-001	2
*	Rivit, 1/8 Low Profile	9491-009-004	9491-009-004	8
13	Hook, "S" Type	9248-022-002	9248-022-002	4
14	Chain-Lower Service Door	9099-012-006	9099-012-006	2
*	Leg-leveling	8544-006-001	8544-006-001	4

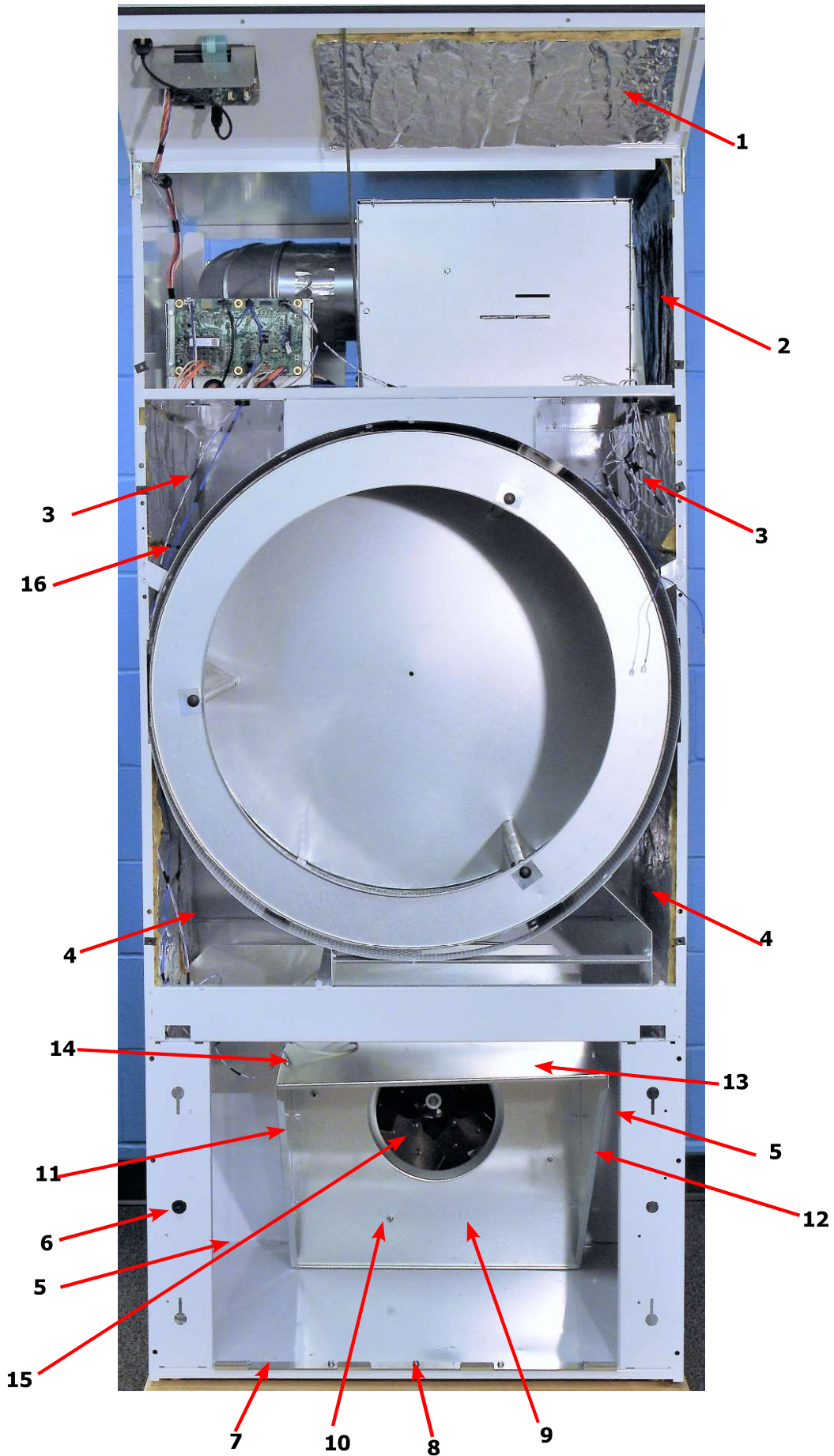


Dryer Cabinet Group Continued

Key	Description	T50	T-80	QTY
1	Insulation, Upper service Door	9277-041-016	9277-041-016	1
2	Insulation, RH Burnner	9277-041-023	9277-041-023	1
3	Insulation Tumbler Area, above Baffel	9277-041-023	9277-041-021	2
*	Insulation Tumbler Area, above Baffel		9277-051-004	3
4	Insulation Tumbler Area, below baffel	9277-051-003		2
*	Insulation Tumbler Area, below baffel	9277-051-003		2
*	Insulation Tumbler Area, below baffel		9277-051-004	3
5	Insulation Lint Compartment	9277-041-024	9277-041-025	2
*	Screen Assy, Lint	9822-026-001	9822-031-002	1
6	Switch-Door Closure	9539-492-001	9539-492-001	AR
7	Hinge-Door, Lower	9243-082-001	9243-082-001	1
8	Screw-5/16, 10ABx3/8	9545-008-024	9545-008-024	AR
9	Lint Hood-Back	9240-041-001	9240-044-001	1
10	Nut Wizlock, 8-32	8640-412-004	8640-412-004	6
11	Lint hood, LH	9240-043-001	9240-046-001	1
12	Lint hood, RH	9240-043-002	9240-046-002	1
13	Lint hood, Top	9240-042-001	9240-045-001	1
14	Screw, 5/16- 10ABx3/8	9545-008-024	9545-008-024	14
15	Impeller, w/set screws	9278-037-003	9278-037-003	1
16	Harness -Temp Probe	9627-917-001	9627-917-001	1
*	Wire Nut, #71B	8640-276-005	8640-276-005	2
17	Temp Probe	9501-004-004	9501-004-004	1
18	Screw-Phillips, 8Bx1/4	9545-045-005	9545-045-005	1
19	Standoff-wiresaddle/arrowhead	9527-007-001	9527-007-001	AR
*	Bushing-wire,7/8	9053-067-002	9053-067-002	2

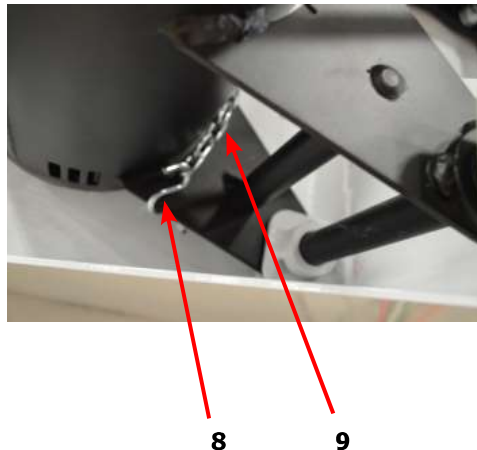
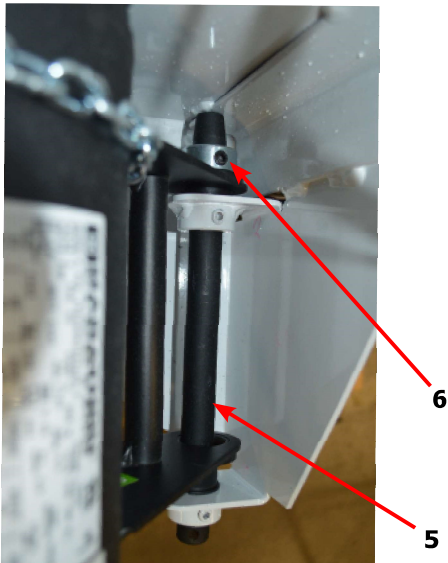
Temp Probe



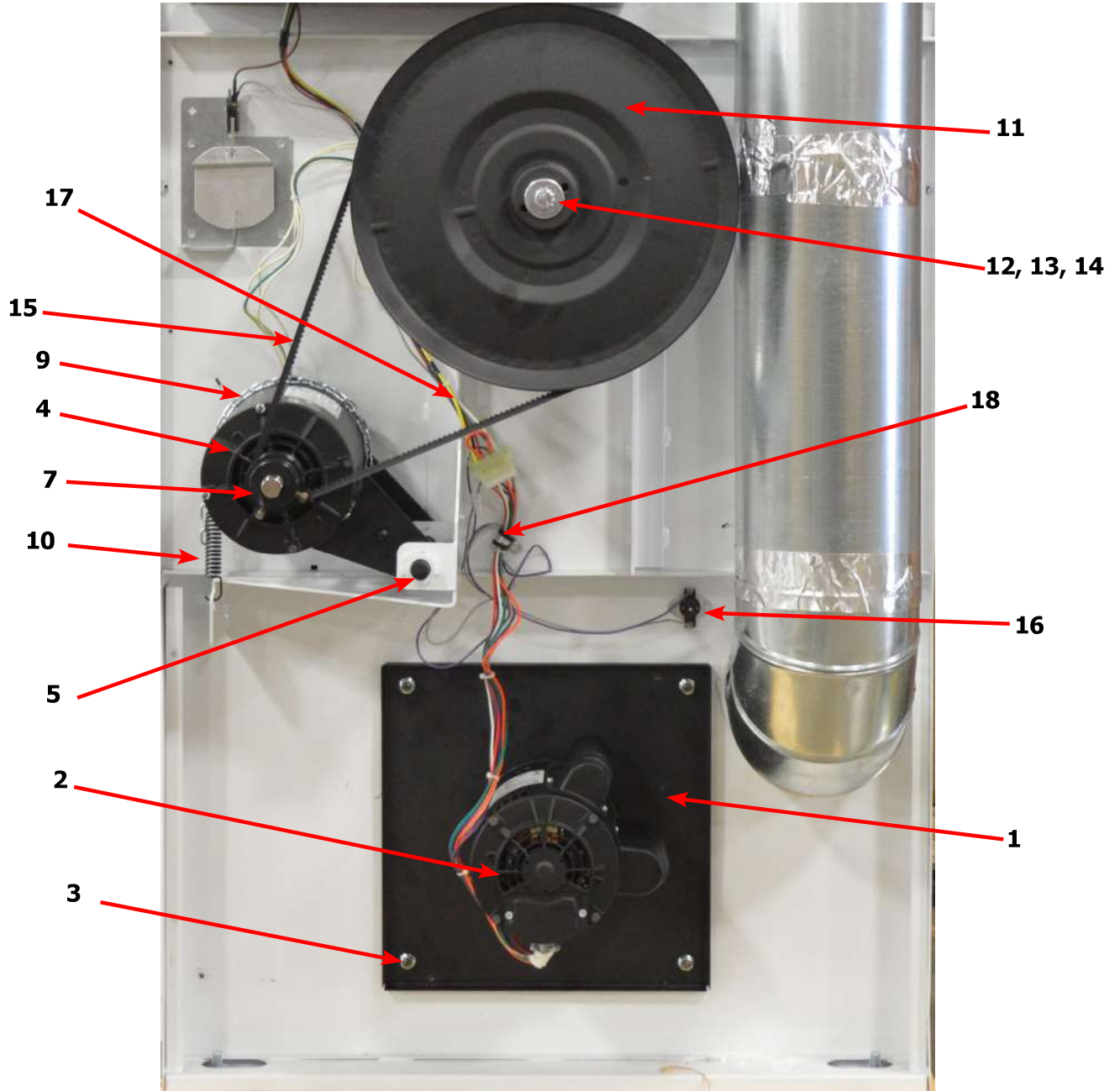


Dryer Rear View 50 Lb Reversing

Key	Description	T-50	QTY
1	CoverImpeller-Motor Mounting, Reversing	9074-378-002	1
2	Motor, Blower-Marathon	9376-331-001	4
*	Screw HXCAP, 3/8-16x3/4 (Motor mounting to Plate)	9545-029-008	4
*	Lock-Washer, 3/8" (Motor mounting to Plate)	8641-582-003	4
*	Gasket, Motor Plate	9206-428-002	1
*	Impeller w/set screw	9278-037-003	1
3	Nut-3/8-16, Plate to cabinet	8640-415-004	4
4	Motor-Drive, Inverter	9376-319-001	1
*	Bushing-Motor mounting	9053-074-002	2
5	Rod-Motor Mounting	9497-222-008	1
6	Collar-s/Set Screws	9076-052-002	1
7	Pulley-Motor Drive	9453-169-012	1
*	Screw-Set, 5/16-18x1/2"	9545-028-013	2
8	Hook "S" type	9248-022-002	3
9	Chain-Motor Tension, 17" or 32 Links	9099-012-003	1
10	Spring, Motor Tension	9534-319-002	1
*	Tolerance Ring	9487-234-005	1
11	Pulley, Driven	9908-047-002	1
12	Washer-Flat, 1/2	8641-581-026	1
13	Washer-Lock, Ext. tooth, 1/2	8641-582-016	1
14	Bolt-3/4, 1/2-13x1/14	9545-017-009	1
15	Belt Drive	9040-076-004	1
16	Thermostat-Overtemp, Reset	9576-207-006	1
*	Screw, 10AB x 3/8	9545-008-024	2
17	Wiringharness-motorextension	9627-864-010	2
*	Standoff-wiresaddlew/arrowhead	9527-007-001	5
*	Strap-tie,adjustable	9544-040-002	2
*	Strap-beadedtie	9544-041-002	1
18	Clamp-conduit/wiring	8654-126-004	3
	Screw-hxwshrndrcuthd,10abx3/8	9545-008-024	3



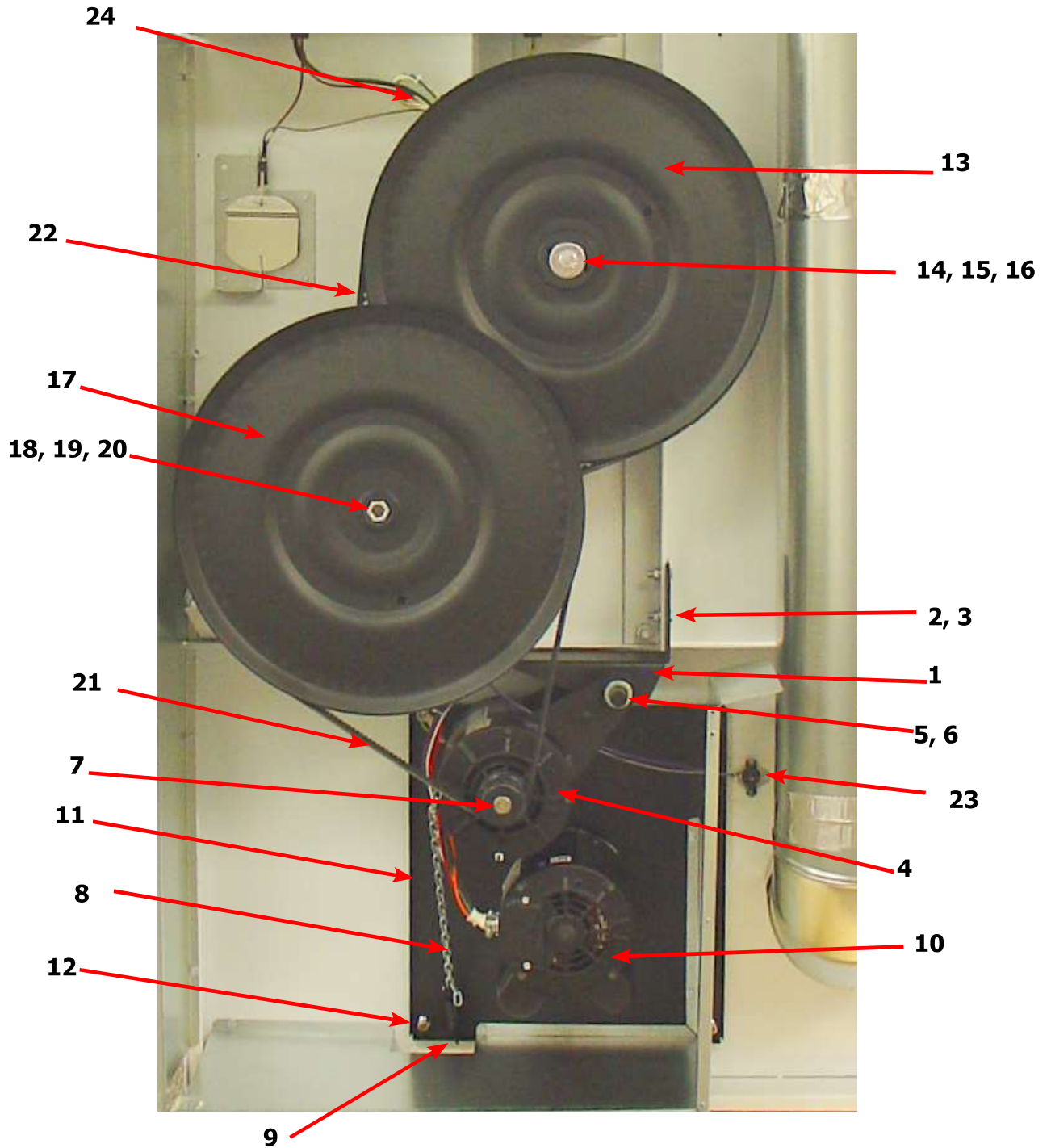
Dryer Rear View 50 Lb Reversing



Dryer Rear View 80 Lb Reversing

Key	Description	T-80	QTY
1	Plate-Motor Mounting, Reversing	9982-373-002	1
2	Screw-Hex cap,3/8-16x1"	9545-029-005	4
3	Nut-Wizlock, 3/8-16	8640-415-004	4
4	Motor-Drive, Inverter	9376-307-003	1
*	Bushing-Motor mounting	9053-074-002	2
5	Rod-Motor Mounting	9497-222-008	1
6	Collar-s/Set Screws	9076-052-002	2
7	Pulley-Motor Drive	9453-169-012	1
*	Screw-Set, 5/16-18x1/2"	9545-028-013	2
8	Chain-Motor Tension	9099-012-008	1
9	Spring, Motor Tension	9534-319-002	1
10	Motor, Blower	9376-322-001	4
*	Screw HXCAP, 3/8-16x3/4 (Motor mounting to Plate)	9545-029-008	4
*	Lock-Washer, 3/8" (Motor mounting to Plate)	8641-582-003	4
11	Motor Blower Cover	9074-352-002	1
*	Gasket, Motor Plate	9206-428-002	1
12	Nut-3/8-16, Plate to cabinet	8640-415-004	4
*	Impeller w/set screw	9278-037-003	1
*	Tolerance Ring	9487-234-001	1
13	Pulley, Driven	9908-043-002	1
14	Washer-Flat, 1/2	8641-581-026	1
15	Washer-Lock, Ext. tooth, 1/2	8641-582-016	1
16	Bolt-3/4, 1/2-13x1/14	9545-017-009	1
*	Support Arm, Intermediate pulley	9991-053-002	1
*	Bolt- 3/8-16x1 1/4	9545-029-010	3
*	Nut, Wizlock, 3/8x16	8640-415-004	3
*	Cap Screw, 3/8-16x1 1/2	9545-029-012	1
*	Snap Ring	9487-200-003	2
*	Washer-Flat, 3/8x1	8641-581-035	1
*	Idler Arm Assembly	9861-024-004	1
*	Snap Ring	9487-200-006	1
*	Washer-Flat, 3/8x1	8641-581-039	2
17	Pulley, Idler w/Bearings	9908-042-006	1
*	Snapping, Inside-Bearing	9487-238-005	1
18	Bearing, Ball	9036-159-007	2
*	Spacer, Bearing	9538-173-002	1
19	Washer-Flat	8641-581-039	1
20	Nut, 5/8-11	8640-425-002	1
*	Hook "S" type	9248-022-002	3
*	Chain, Spring tension	9099-012-009	1
*	Spring, tension	9534-151-000	1
21	Belt Drive	9040-076-003	1
22	Belt, Driven	9040-073-012	1
23	Thermostat-Overtemp, Reset	9576-207-006	1
24	Wiringharness-motorextension	9627-864-010	1

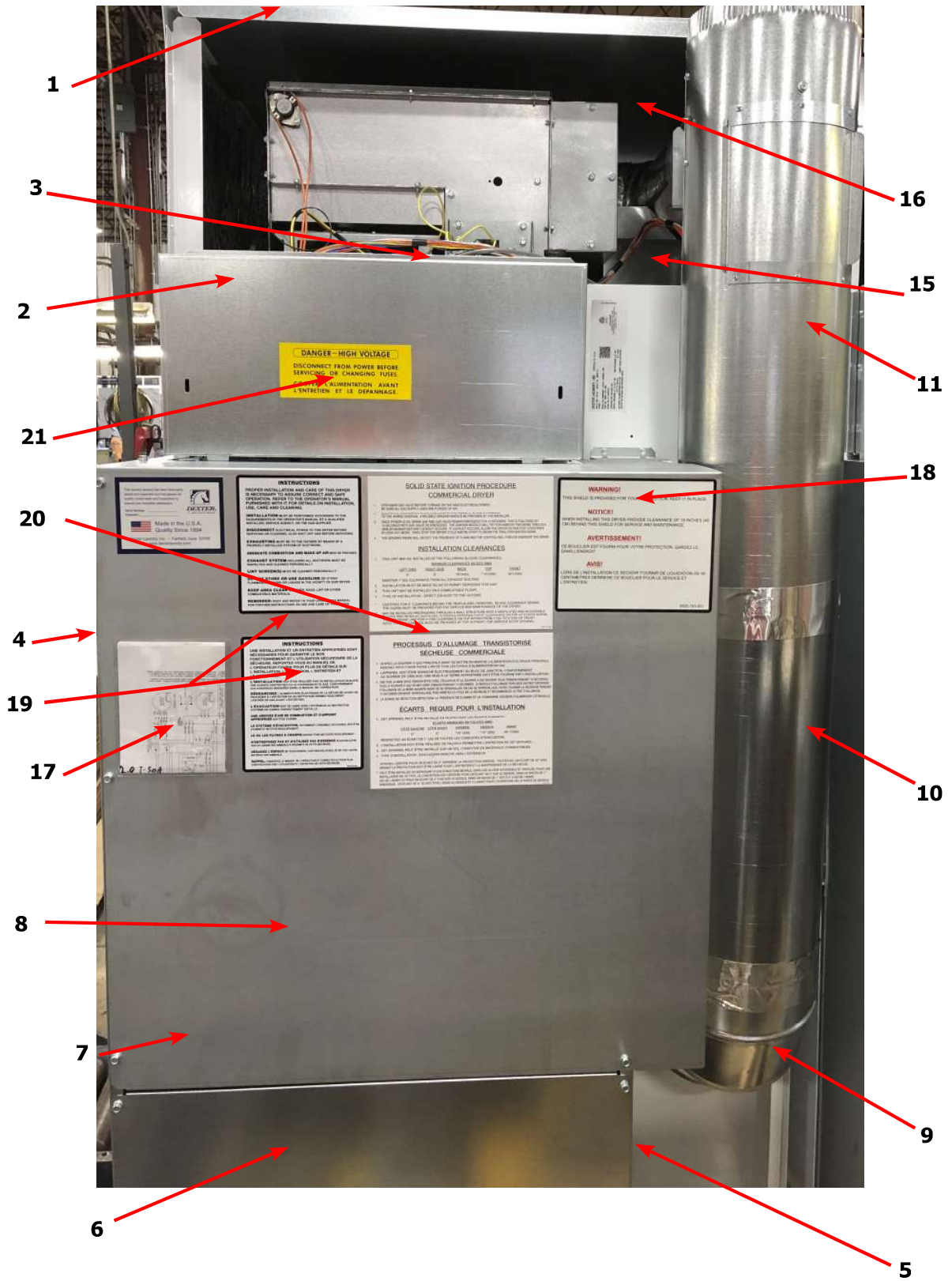
Dryer Rear View 80 Lb Reversing



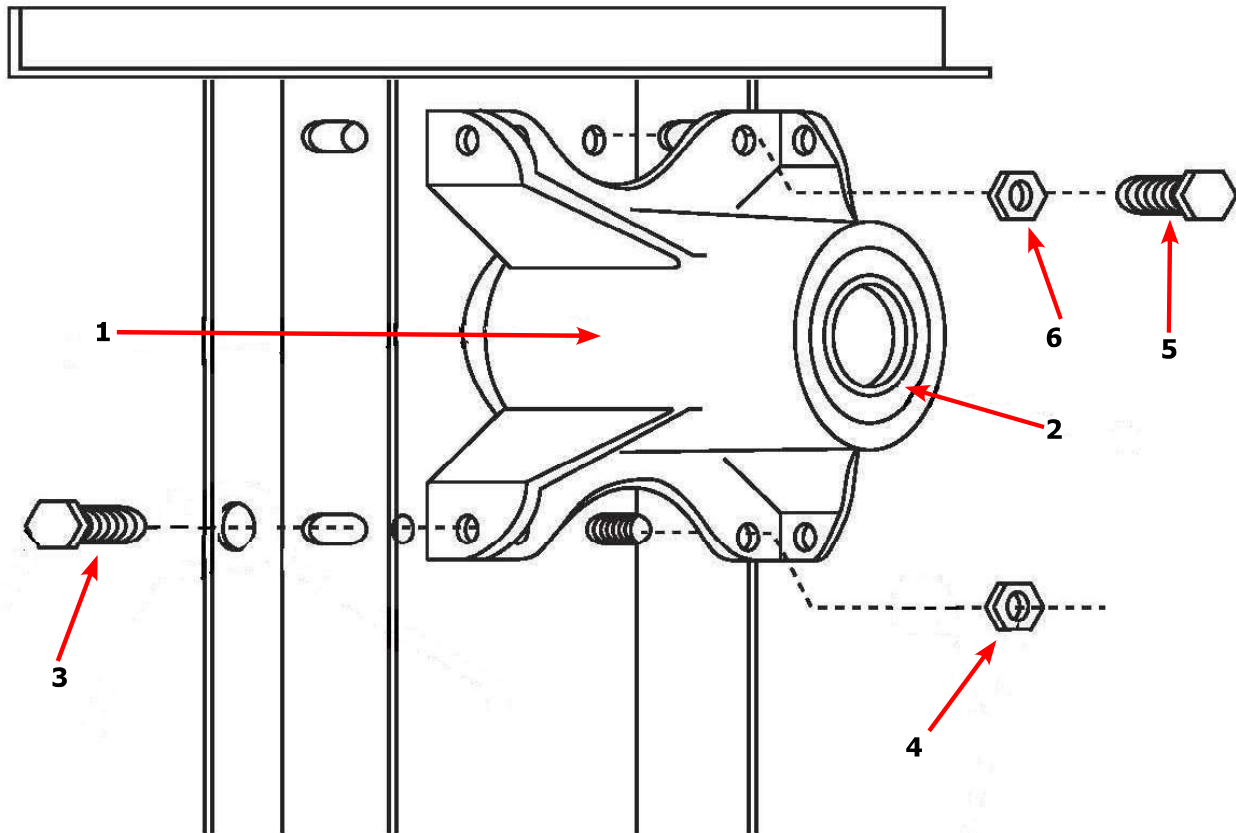
Dryer Rear View-Guard & Exhaust

Key	Description	T-50	T80	QTY
1	Cover Cabinet	9074-348-001	9074-349-001	1
*	Screw-5/16, 10ABx3/8	9545-008-024	9545-008-024	AR
2	Cover-Control Box	9074-353-001	9074-353-001	1
3	Screw-5/16, 10ABx3/8	9545-008-024	9545-008-024	AR
4	Guard, RH	9208-140-001	9208-101-001	1
*	Screw-5/16, 10ABx3/8	9545-008-024	9545-008-024	AR
5	Guard Base	9208-138-001	9208-102-001	1
*	Screw-5/16, 10ABx3/8	9545-008-024	9545-008-024	AR
6	Guard-Lower	9208-099-001	9208-103-001	1
7	Screw-5/16, 10ABx3/8	9545-008-024	9545-008-024	AR
8	Guard-upper	9208-139-001	9208-105-001	1
*	Screw-5/16, 10ABx3/8	9545-008-024	9545-008-024	AR
*	Guard-top,reversing		9208-106-001	1
9	Elbow-90 degree, 8"	9142-039-001	9142-039-001	1
10	Pipe-Duct, 8"	9109-121-001	9109-121-002	1
11	Tee-Duct, Recirculation, 8"-6"	9810-018-001	9810-019-001	1
12	Damper	9125-002-001	9125-008-001	1
*	Pin-Damper, Hinge	9451-146-002	9451-146-002	1
*	Nut-Spring	8520-141-000	8520-141-000	2
13	Bracket-Recirculation Duct, Small	9029-228-001	9029-228-001	1
*	Screw-hxwshrundrcuthd,10abx3/8	9545-008-024	9545-008-024	2
14	Pipe-Duct, 6"	9109-122-002	9109-122-003	1
15	Bracket-Duct, Recirculation Large	9029-247-001	9029-247-001	1
*	Screw-hxwshrundrcuthd,10abx3/8	9545-008-024	9545-008-024	2
16	Elbow-90 degree, 6"	9142-039-002	9142-039-002	1
*	Booklet-Owners	8514-291-001	8514-291-001	1
17	Wiringlabel-diagram/inform	9507-018-001	9507-019-001	1
	Wiringlabel-schematic	9508-018-001	9508-019-001	1
18	Label-Warning & Notice	8502-763-001	8502-763-001	1
*	Label-warning,dryer,frn/spn	8502-764-001	8502-764-001	1
19	Label-Instructions	8502-645-001	8502-645-001	1
*	Label-Instructions(French)	8502-645-002	8502-645-002	1
20	Decal-Lighting & Clearance	8527-151-001	8527-151-001	1
	Decal-Lighting & Clearance(French)	8527-151-002	8527-151-002	1
21	Label-High Voltage	8502-614-004	8502-614-001	1



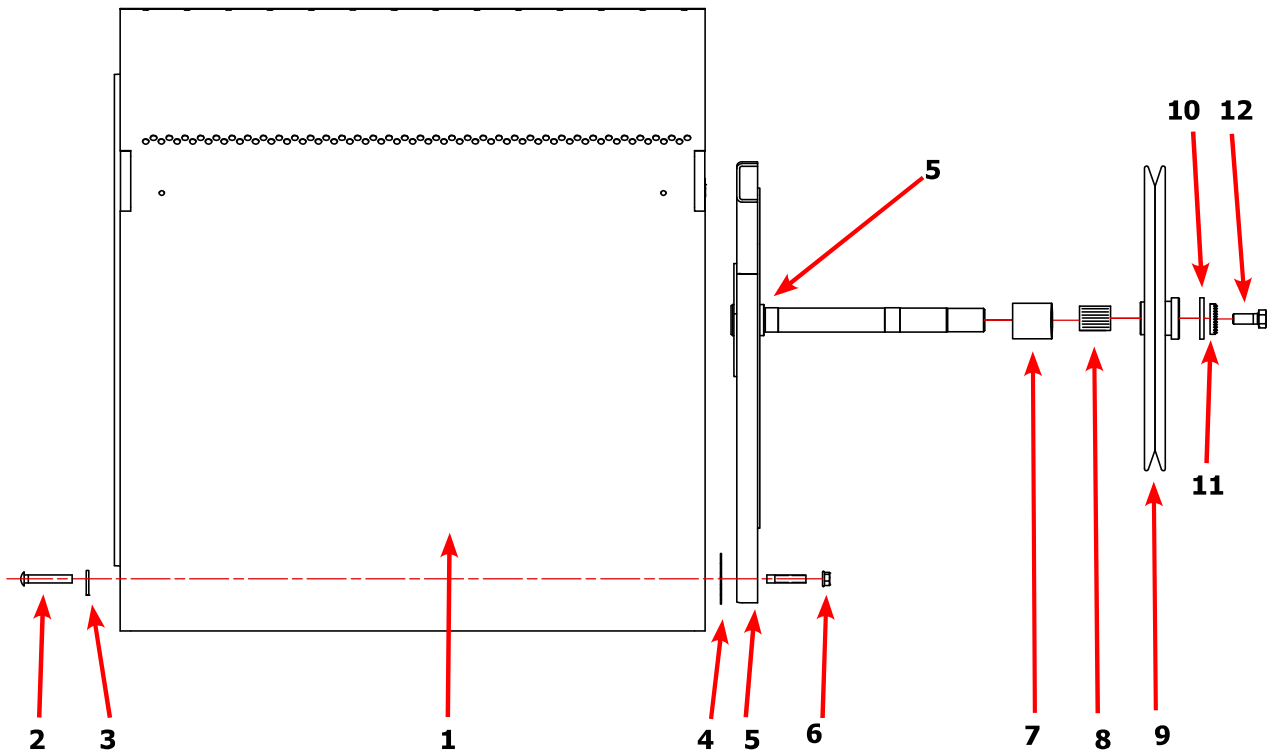


Dryer Rear View-Bearing Housing 50Lb



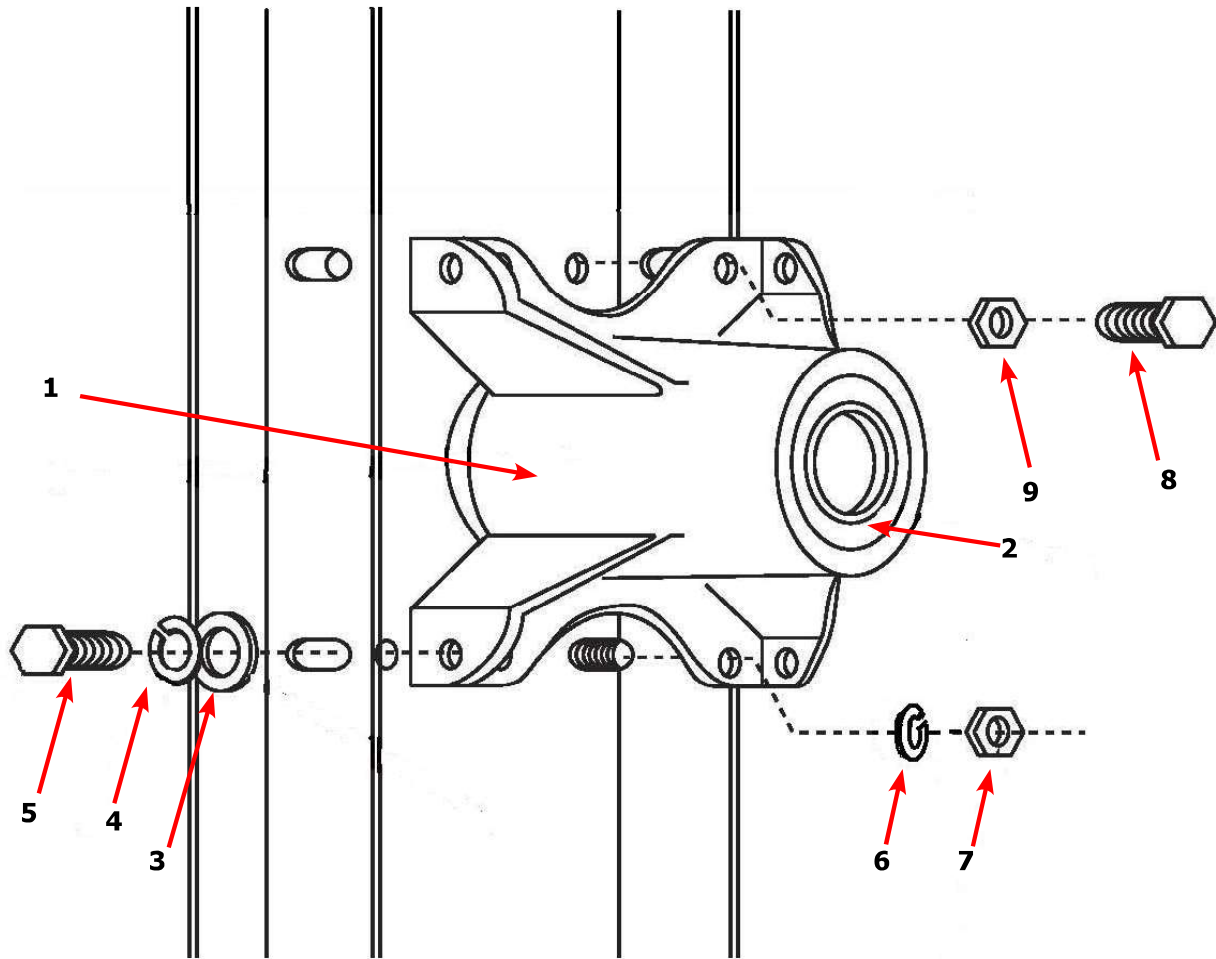
Key	Description	T-50	QTY
	Bearing Housing Assy (Includes bearings & Spacer)	9803-201-001	1
1	Housing, Bearing	9241-189-002	1
*	Bearing, Ball, Front	9036-159-001	1
*	Spacer, Bearing	9538-183-001	1
2	Bearing, Ball, Rear	9036-159-003	1
3	Screw-Wizlock, 1/2-13x3/4	9545-017-017	4
4	Nut, 1/2-13	8640-417-002	2
5	Screw, 1/2-13x1 1/2	9545-017-018	2
6	Nut, 1/2-13	8640-417-002	2
*	Shim-tumbler	9552-013-003	

Dryer Tumbler Group 50Lb



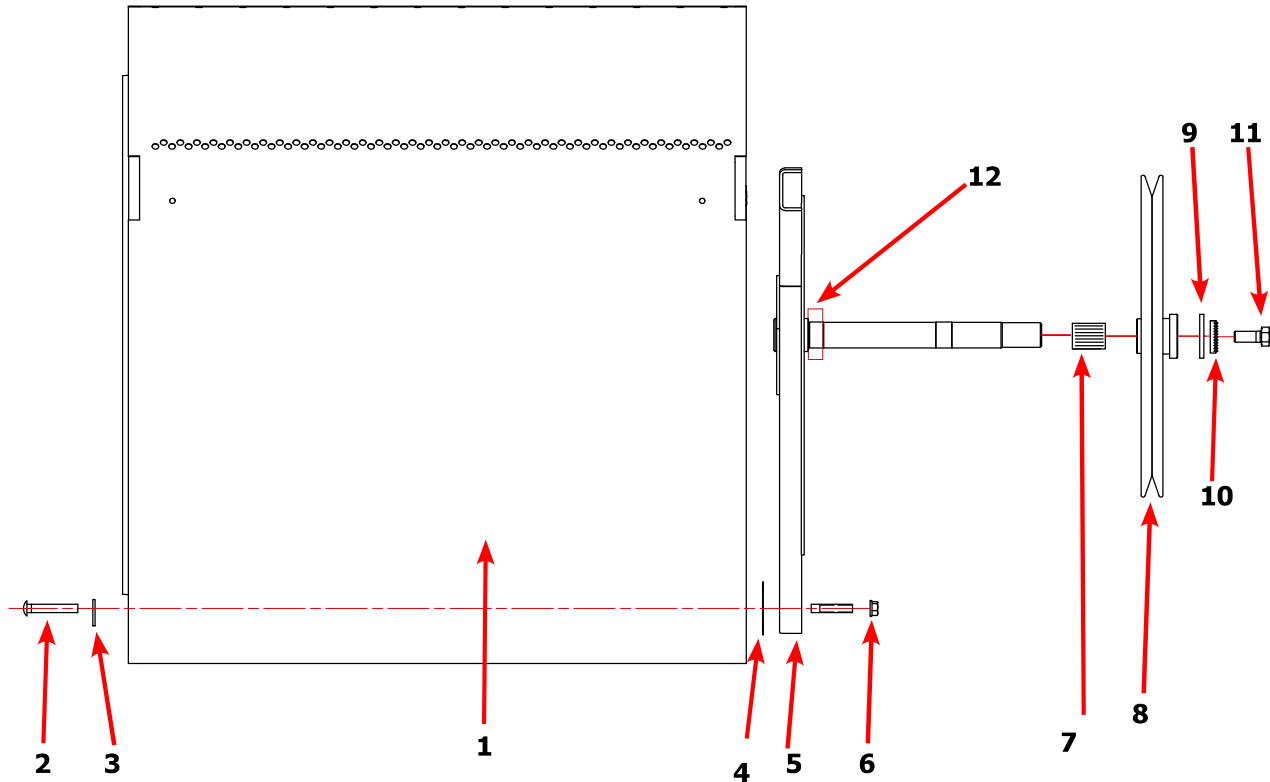
Key	Description	T-50	QTY
*	Tumbler Assy Complete W/Spider (GALV)	9848-154-003	1
1	Tumbler Assy (Galvanized)	9848-148-003	1
*	Tumbler Assy Complete W/Spider (SS & Galv front)	9848-154-004	1
1	Tumbler Assy (Stainless Galvanized front)	9848-148-004	1
2	Rod, Tumbler	9497-226-002	3
3	Washer, Special	8641-590-002	3
4	Shim	9552-013-000	AR
5	Spider Assy	9568-017-001	1
6	Nut, Wiz Lock	8640-417-005	3
7	Spacer-Shaft	9538-188-001	1
8	Tolerance Ring	9487-234-005	1
9	Pulley, Driven	9908-047-002	1
10	Washer -Flat	8641-581-026	1
11	LockWasher - IntTooth, 1"	8641-582-016	1
12	Screw, 1/2-13x1 1/4	9545-017-009	1

Dryer Rear View-Bearing Housing 80Lb



Key	Description	T80	QTY
	Bearing Housing Complete Assy (Includes bearings & Spacer)	9803-189-001	1
1	Housing, Bearing	9241-183-003	1
*	Bearing, Ball, Front	9036-159-001	1
2	Bearing, Ball, Rear	9036-159-002	1
3	Washer, Flat 1/2	8641-581-026	4
4	Lock Washer Spring, 1/2	8641-582-004	4
5	Screw, 1/2-13x1	9545-017-004	4
6	Lock Washer Spring, 7/16	8641-582-013	4
7	Nut, 7/16-14	8640-416-001	2
8	Screw, 7/16-14x1 1/2	9545-059-003	2
9	Nut, 7/16-14	8641-416-001	2

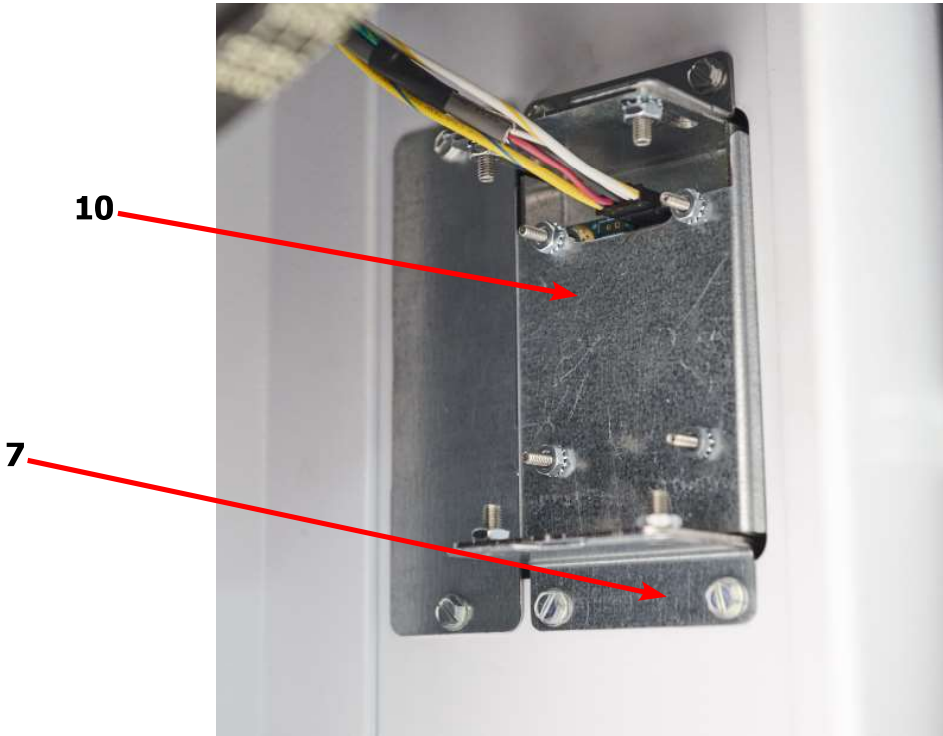
Dryer Tumbler Group 80Lb

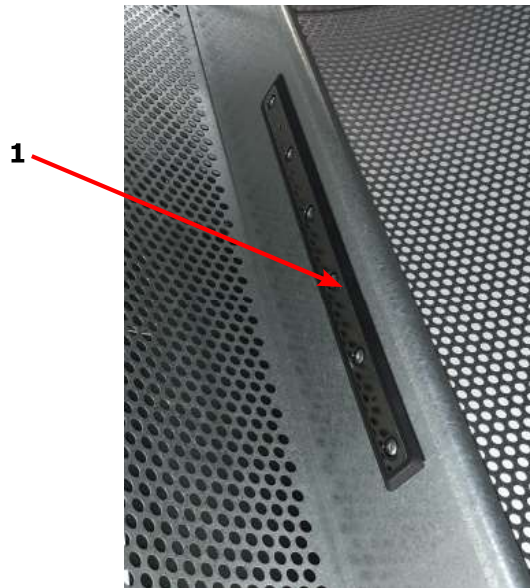
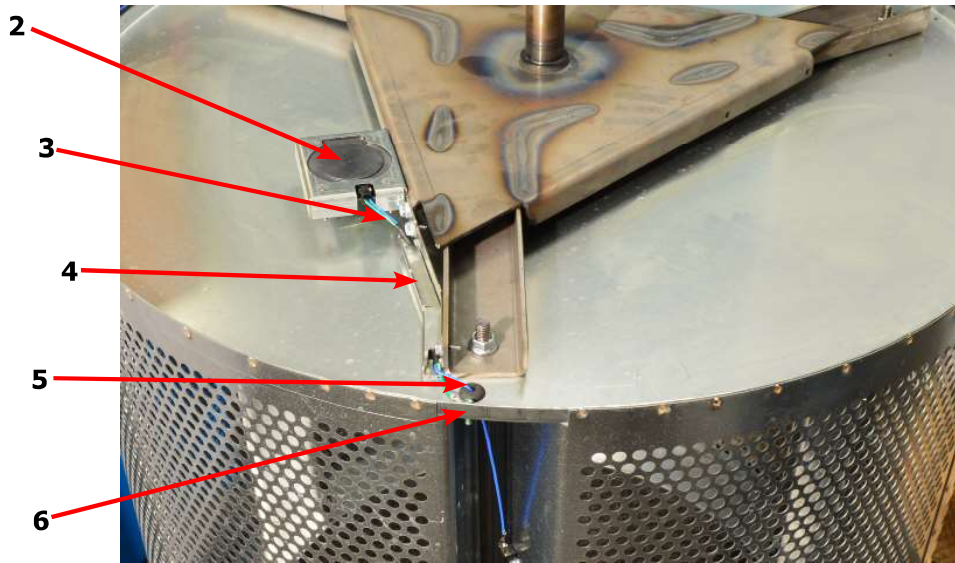
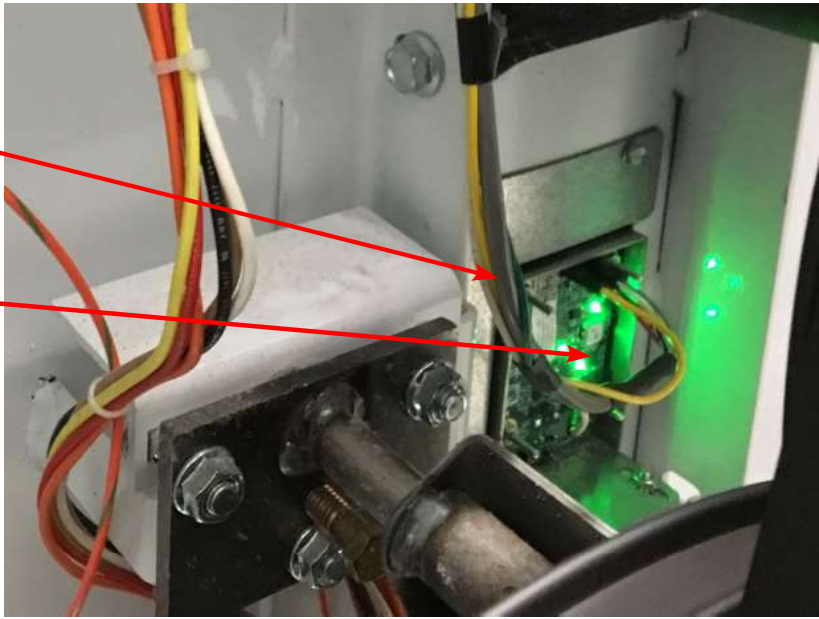


Key	Description	T80	QTY
*	Tumbler Assy Complete W/Spider (GALV)	9848-151-005	1
1	Tumbler Assy (Galvanized)	9848-150-005	1
1	Tumbler Assy Complete W/Spider (SS & Galv front)	9848-151-006	1
1	Tumbler Assy (Stainless Galvanized front)	9848-150-006	1
2	Rod, Tumbler	9497-226-001	4
3	Washer, Special	8641-590-001	4
4	Shim	9552-013-000	AR
5	Spider Assy w/Front Bearing	9873-008-001	1
6	Nut, Wiz Lock	8640-417-005	4
7	Tolerance Ring	9487-234-001	1
8	Pulley, Driven	9908-043-002	1
9	Washer -Flat	8641-581-026	1
10	LockWasher - IntTooth, 1/2"	8641-582-016	1
11	Screw, 1/2-13x1 1/4	9545-017-009	1
12	Bearing, Front	9036-159-002	1

RMC Parts

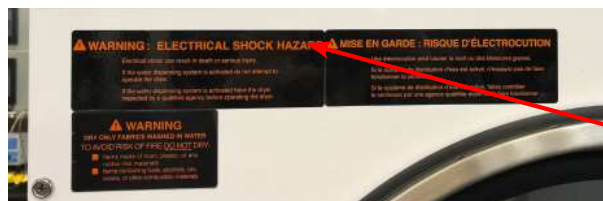
Key	Description	T-50	T80	QTY
1	Strip-sensing,moisture	9558-034-001	9558-034-001	1
*	Rivet-blind,3/16steel	9491-009-001	9491-009-001	6
2	Controlsassy-rotatingpcb,rmc	9857-248-001	9857-248-001	1
*	Screw-hxwshrndrcuthd,10abx3/8	9545-008-024	9545-008-024	2
3	Wiringharness-rmc,sensor,	9627-941-002	9627-941-003	1
4	Conduit-rmcwires,	6068-053-001	6068-054-001	1
*	Screw-hxwshrndrcuthd,10abx3/8	9545-008-024	9545-008-024	2
5	Grommet-3/16id	9209-037-002	9209-037-002	1
6	Screw-hxwshrhdsl,10-32tx1/2grn	9545-008-027	9545-008-027	1
*	Lockwasher-exttooth,#10	8641-582-006	8641-582-006	1
7	Bracketassy-cabinet,rmc	9985-204-001	9985-204-001	2
*	Screw-hxwshdsl,10bx1/4	9545-008-001	9545-008-001	4
8	Controlsassy-stationarypcb,rmc	9857-247-001	9857-247-001	1
*	Nut-hexkeps,#10-32unf,2b	8640-413-002	8640-413-002	2
9	Wiringharn-rmc,can/pwr,	9627-940-001	9627-940-002	1
10	Cover-service,rmc	9074-385-001	9074-385-001	1
*	Screw-hxwshdsl,10bx1/4	9545-008-001	9545-008-001	2





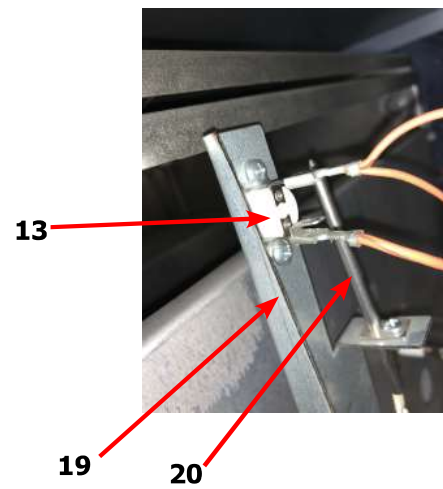
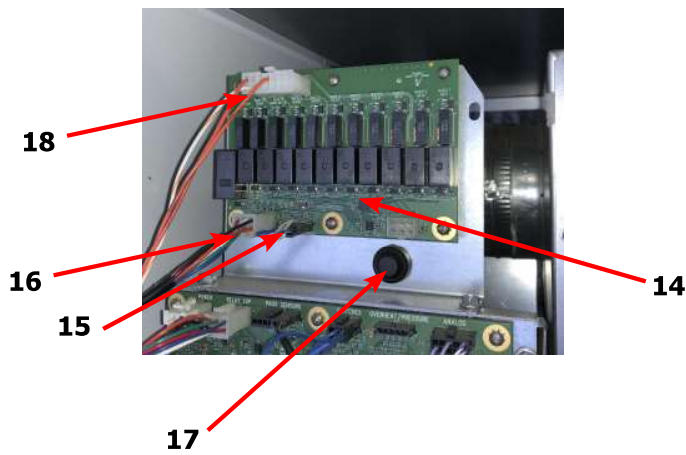
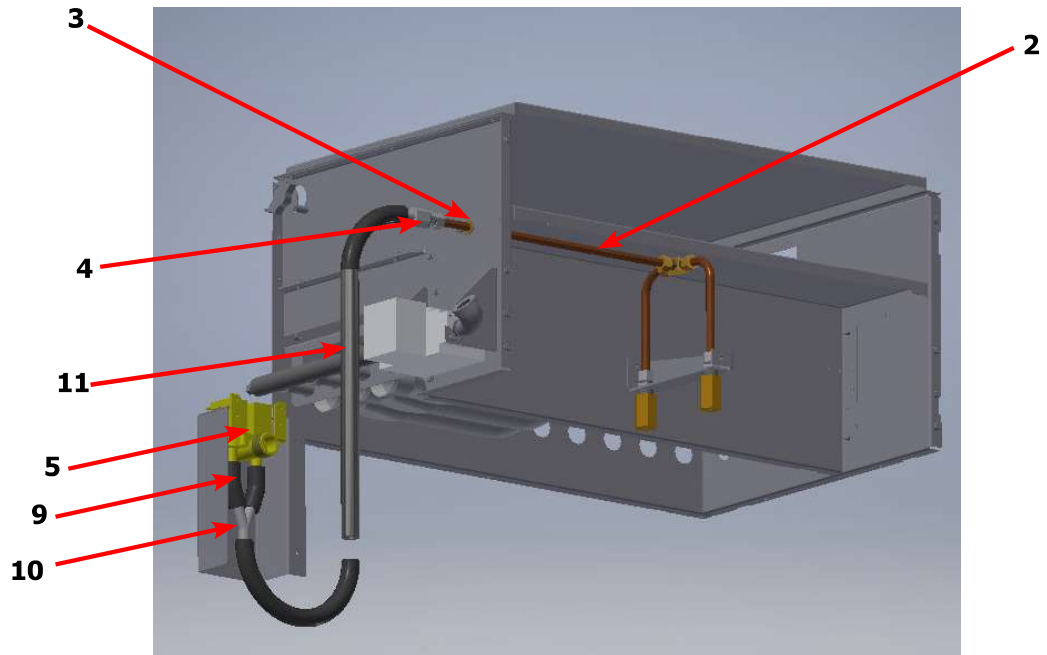
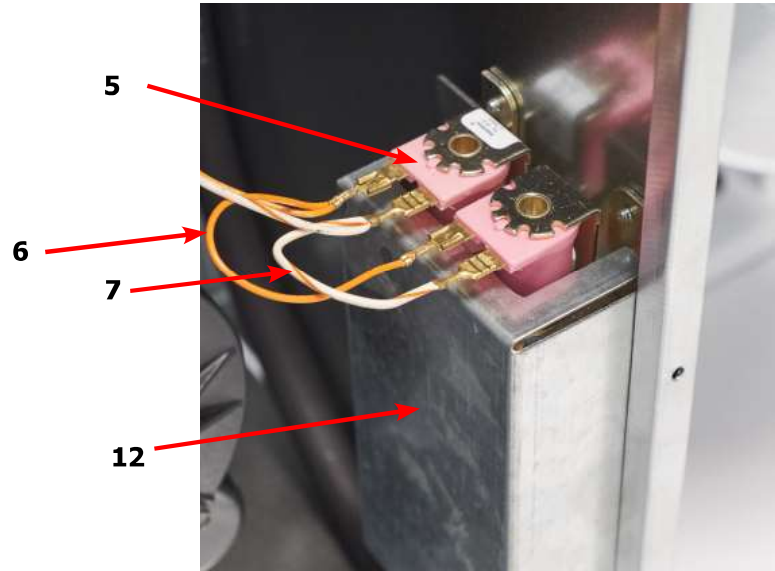
Water Suppression Parts

Key	Description	T-50	T80	QTY
1	Nozzleassy-firesuppression	9872-004-001	9872-004-001	1
*	Screw-hxwshrundrcuthd,10abx3/8	9545-008-024	9545-008-024	3
2	Tube-nozzle,inlet	9574-261-001	9574-261-001	1
3	Bushing-support	9053-083-001	9053-083-001	1
*	Screw-hxwshrundrcuthd,10abx3/8	9545-008-024	9545-008-024	1
4	Fitting-adapt,3/8nptto1/2hose	8615-115-001	8615-115-001	1
5	Valve-water,24v,epdm(nsf)	9379-183-013	9379-183-013	1
6	Wireasy-jumper,org/brn,101-6	8220-161-001	8220-161-001	1
7	Wireasy-jumper,wht/org,60"-6"	8220-090-019	8220-090-019	1
8	Screw-hxwshrhdunct,#10bx1/2	9545-008-026	9545-008-026	2
9	Hose-water,3"	9242-453-031	9242-453-031	2
10	Fitting-y,1/2	8615-119-001	8615-119-001	1
11	Hose-water,"	9242-453-033	9242-453-033	1
*	Clamp-hose,worm,1in	8654-117-015	8654-117-015	6
*	Clamp-cable	8654-061-001	8654-061-001	2
*	Screw-hxwshrundrcuthd,10abx3/8	9545-008-024	9545-008-024	2
12	Guard-watervalve	9208-145-001	9208-145-001	1
*	Screw-hxwshrundrcuthd,10abx3/8	9545-008-024	9545-008-024	2
13	Thermostat-fss	9576-212-001	9576-212-001	1
*	Screw-hxwshdslt,8bx1/2	9545-045-002	9545-045-002	2
	Wireasy-jumper,org,77"	8220-162-001	8220-162-001	1
14	Pcbassy-relay	9799-028-001	9799-028-001	1
*	Screw-hxwshrundrcuthd,10abx3/8	9545-008-024	9545-008-024	2
15	Wireasy-jumper,v2.0,relaypcb	8220-159-006	8220-159-006	1
16	Wiringharness-cntrl/relay,v2.0	9627-921-001	9627-921-001	1
17	Switch-momentary,n.o.	9539-500-001	9539-500-001	1
*	Wireasy-org,49"	8220-108-015	8220-108-015	1
18	Wiringharness-relaypowerboard	9628-006-001	9628-006-001	1
*	Wireasy-jumper,wht/org,5"	8220-161-002	8220-161-002	1
*	Wireasy-org,11"	8220-108-014	8220-108-014	1
19	Bracket-mtg,ohpsensor	9029-315-001	9029-315-001	1
*	Screw-hxwshrundrcuthd,10abx3/8	9545-008-024	9545-008-024	3
20	Sensor-temp(thermistr),10k,wht	9501-004-004	9501-004-004	1
*	Screw-rdhdc,8bx1/4	9545-045-005	9545-045-005	1
*	Nut-wireconn,#71b,blk	8640-276-005	8640-276-005	2
21	Label-warning,shock	8502-778-001	8502-778-001	
*	Label-warning,shock(french)	8502-778-002	8502-778-002	
22	Label-waterrequirement	8502-779-001	8502-779-001	



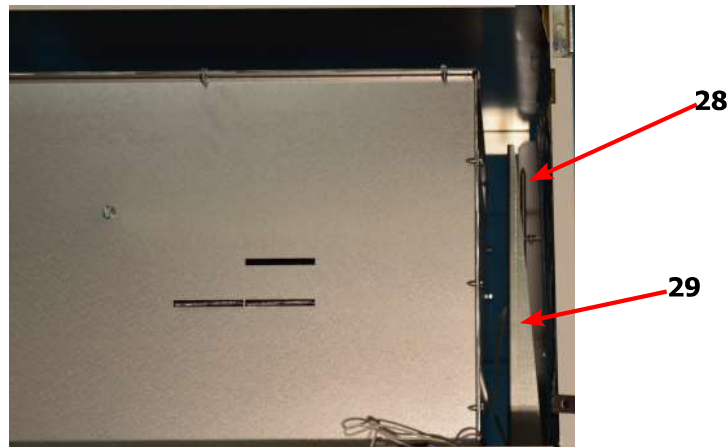
22

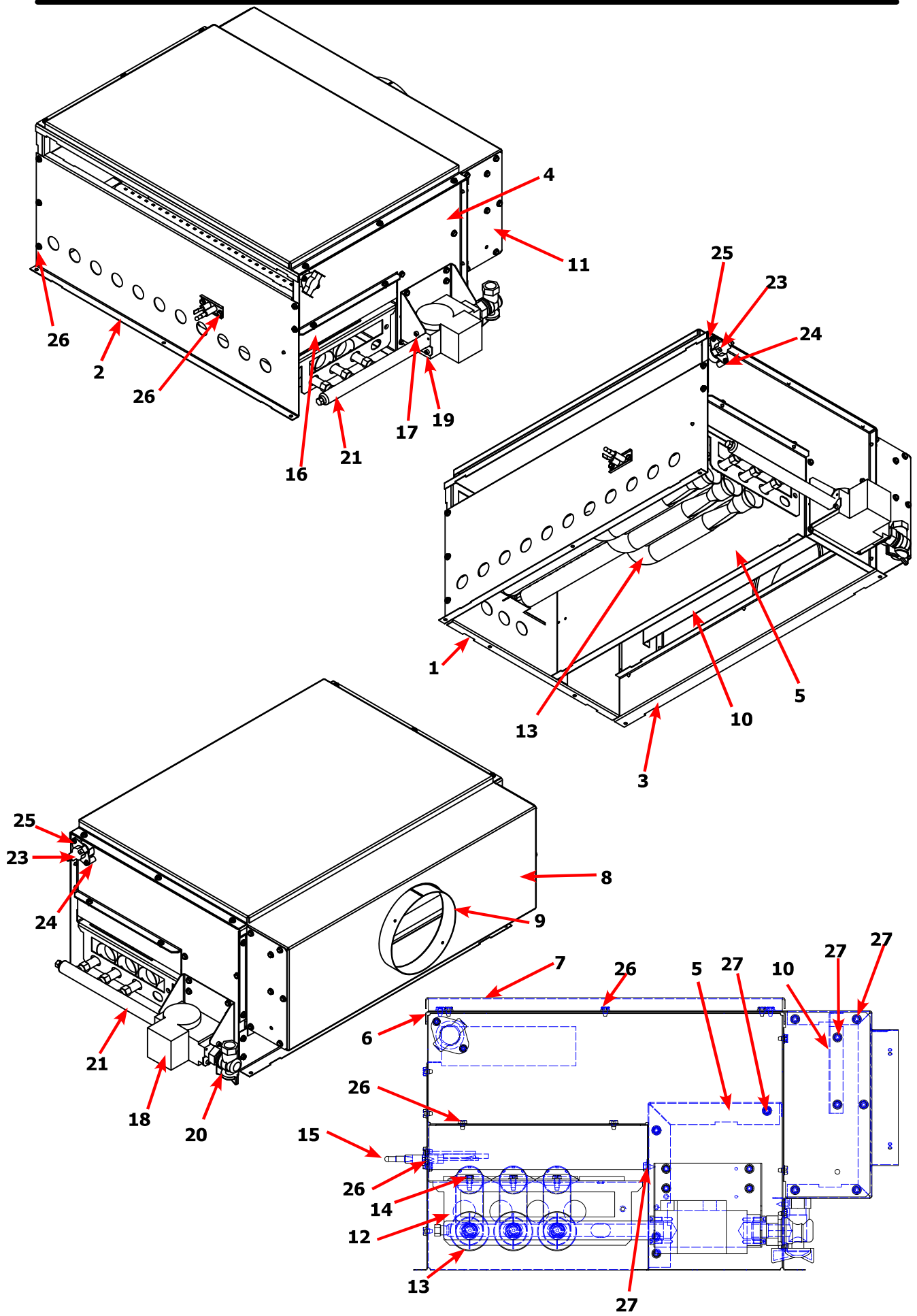




Dryer Burner Housing Group 50Lb

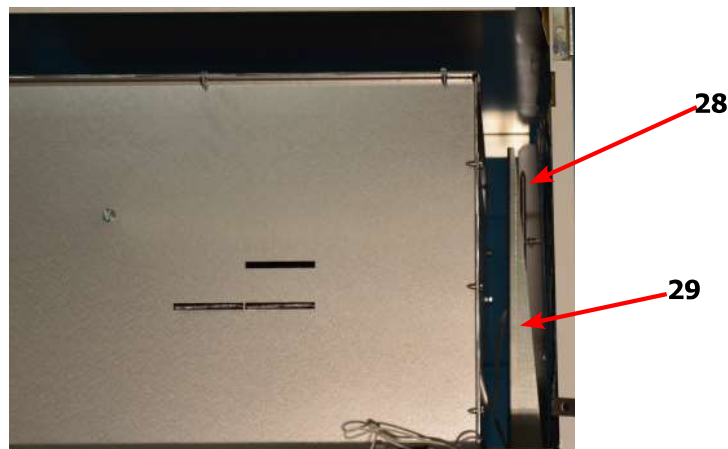
Key	Description	Part Number	Qty
	Housing Assembly, Burner	9803-211-001	1
1	Panel-Burner Housing, Front	9454-863-001	1
2	Panel-Burner Housing, Side Right	9454-861-001	1
3	Panel-Burner Housing, Side Left	9454-862-001	1
4	Panel-Burner Housing, Back	9454-864-001	1
5	Baffle-Burner Housing, Center	9049-098-001	1
6	Panel-Burner Housing, Top	9454-977-001	1
7	Panel-Burner Housing, Top	9074-343-001	1
8	Baffle-Burner Housing, Extention	9049-118-001	1
9	Duct Adaptor, 6"x1.25" long	9109-120-003	1
11	Side-Extention Baffle, Burner Housing	9551-069-001	2
12	Bracket-Support, Burner	9029-213-001	1
13	Burner, Main	9048-021-001	3
14	Screw, 10T-32x1/2	9545-008-008	3
15	Electrode-Ignition	9875-002-003	1
16	Cover-Burner, Intet	9074-344-001	1
17	Bracket-Support, Gas Valve	9029-227-001	1
18	Control Assy,Gas Valve, White Rodgers 36J	9857-192-001	1
19	Screw, #8-32x3/8	9545-010-014	4
21	Manifold Assy	9381-010-003	1
*	Orfice-Natural, #30	9425-069-002	3
*	Orfice-LP, #48	9425-069-003	3
*	Kit, LP Conversion, White Rodgers	9732-102-017	1
23	Thermostat-HI-Limit	9576-203-002	1
24	Spacer-1/4x5/8 long	9538-166-009	2
25	Screw-8Bx1	9545-045-013	2
26	Screw, 10Bx1/4	9545-008-001	22
27	Screw, 10ABx3/8	9545-008-024	25
28	Sensor-temp(thermistr),10k,wht	9501-004-004	1
29	Bracket-mtg,ohpsensor	9029-315-001	1
*	Screw-hxwshrundrcuthd,10abx3/8	9545-008-024	3
*	Screw-rdhdc,8bx1/4	9545-045-005	1
*	Nut-wireconn,#71b,blk	8640-276-005	2

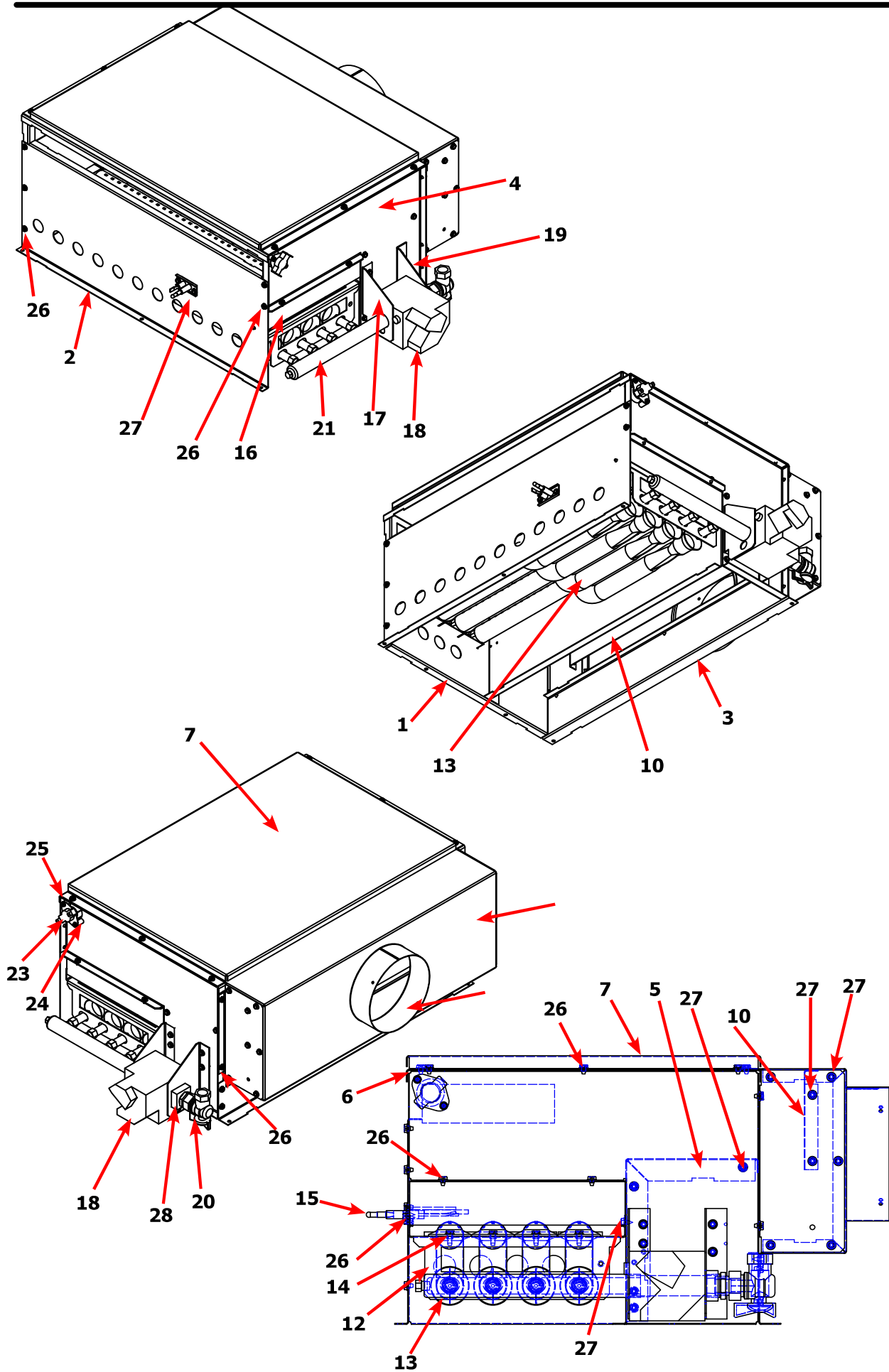




Dryer Burner Housing Group 80Lb

Key	Description	Part Number	Qty
	Housing Assembly, Burner	9803-212-001	1
1	Panel-Burner Housing, Front	9454-863-001	1
2	Panel-Burner Housing, Side Right	9454-861-001	1
3	Panel-Burner Housing, Side Left	9454-862-001	1
4	Panel-Burner Housing, Back	9454-864-001	1
5	Baffle-Burner Housing, Center	9049-098-001	1
6	Panel-Burner Housing, Top	9454-977-001	1
7	Panel-Burner Housing, Top	9074-343-001	1
8	Baffle-Burner Housing, Extention	9049-118-001	1
9	Duct Adaptor, 6"x1.25" long	9109-120-002	1
11	Side-Extention Baffle, Burner Housing	9551-069-001	2
12	Bracket-Support, Burner	9029-213-001	1
13	Burner, Main	9048-021-001	4
14	Screw, 10T-32x1/2	9545-008-008	4
15	Electrode-Ignition	9875-002-003	1
16	Cover-Burner, Intet	9074-344-001	1
17	Bracket-Support, Gas Valve	9029-234-001	1
18	Control Assy,Gas Valve, White Rodgers 36J	9857-193-001	1
19	Bracket-support, Gas Valve Left hand	9029-235-001	4
21	Manifold Assy	9381-014-001	1
22	Orfice-Natural, #29	9425-069-021	3
*	Orfice-LP, #46	9425-069-022	3
*	Kit, LP Conversion, White Rodgers	9732-102-023	1
23	Thermostat-HI-Limit	9576-203-002	1
24	Spacer-1/4x5/8 long	9538-166-009	2
25	Screw-8Bx1	9545-045-013	2
26	Screw, 10Bx1/4	9545-008-001	22
27	Screw, 10ABx3/8	9545-008-024	25
28	Sensor-temp(thermistr),10k,wht	9501-004-004	1
29	Bracket-mtg,ohpsensor	9029-315-001	1
*	Screw-hxwshrundrcuthd,10abx3/8	9545-008-024	3
*	Screw-rdhdc,8bx1/4	9545-045-005	1
*	Nut-wireconn,#71b,blk	8640-276-005	2
.	Bracket-mtg,burnerhsg,painted	9029-219-002	1

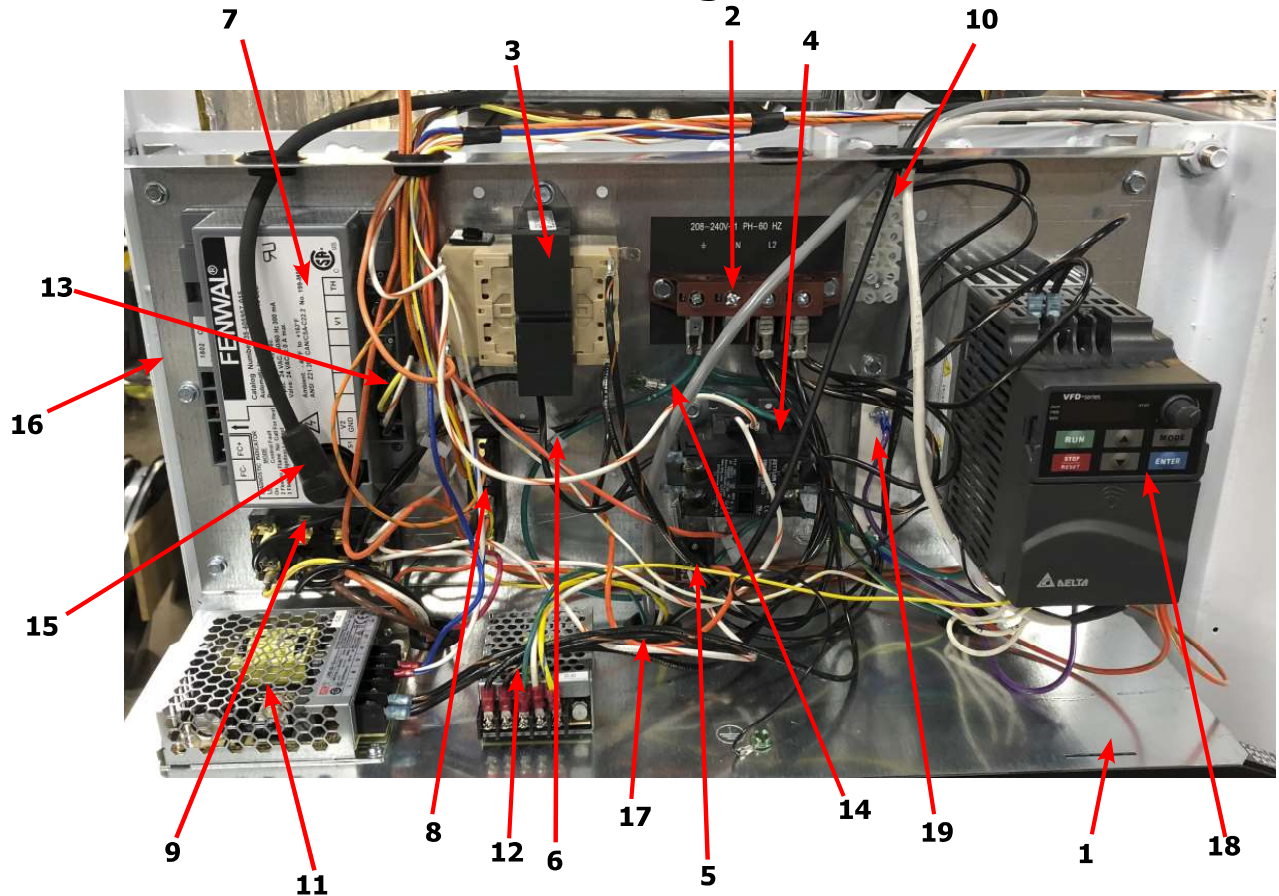




Electrical Box / Ignition Control

Key	Description	T-50	T-80	QTY
*	Control assembly opl	9857-239-001	9857-238-001	
1	Wrapper-control box,	9636-203-001	9636-203-001	1
2	Terminal blockasy-power,4pole	9897-035-001	9897-035-001	1
*	Strip-marker,terminal	9558-029-006	9558-029-006	1
*	Screw-hxwshrhdndct,#10bx1/2	9545-008-026	9545-008-026	2
3	Transformer-control,w/circuit	8711-007-002	8711-007-002	1
4	Relay-motor,30amp,24vac	5192-299-002	5192-299-002	1
*	Screw-hxwshrndrcuthd,10abx3/8	9545-008-024	9545-008-024	4
5	Relay	5192-285-004	5192-285-004	1
*	Screw-hxwshdsl,6bx3/8	9545-031-003	9545-031-003	2
6	Standoff-wiresaddle/arrowhead	9527-007-001	9527-007-001	9
7	Controls assy-ignition	9857-182-001	9857-182-001	1
*	Screw-hxwshrhdsl,8bx3/4	9545-045-007	9545-045-007	2
8	Terminal block assembly-power	9897-039-001	9897-039-001	1
	Screw-hxwshdsl,6bx3/8	9545-031-003	9545-031-003	1
9	Terminal block assembly-power	9897-026-002	9897-026-002	1
*	Screw-panhdcr,#8abx1/2	9545-045-012	9545-045-012	2
10	Terminal blockasy-injector,7pos	9897-032-002	9897-032-002	1
*	Screw-pnhdcr,6abx3/4	9545-031-010	9545-031-010	2
11	Elecperiph-power supply,12v	9150-054-001	9150-054-001	1
*	Screw-pnhdcr,6abx3/4	9545-031-010	9545-031-010	2
12	Elecperiph-power supply,24vdc	9150-057-001	9150-057-001	1
*	Screw-pnhdcrsems,#4-40x3/16	9545-020-009	9545-020-009	2
*	Wireasy-jumper,blk/brn,8 1/2"	8220-113-003	8220-113-003	1
*	Wireasy-jumper,blk/brn,15"	8220-113-006	8220-113-006	1
*	Wireassy-jumper,blk/org,81/2"	8220-113-004	8220-113-004	1
*	Wireassy-jumper,blk/org,8 1/2"	8220-113-007	8220-113-007	1
*	Wireasy-jumper,blk/brn,9-17	8220-147-003	8220-147-003	1
*	Wireasy-jumper,blk/org,9-17	8220-147-004	8220-147-004	1
*	Wireasy-blk/brn,15"	8220-146-011	8220-146-011	1
*	Wireasy-blk/org,15"	8220-146-012	8220-146-012	1
*	Wireasy-wht/org,14"	8220-063-046	8220-063-046	1
*	Wireasy-wht/org,14"	8220-062-054	8220-062-054	1
*	Wireasy-blk,17"	8220-078-027	8220-078-027	2
13	Wiring harness-ignition control	9627-867-012	9627-867-012	1
14	Wireasy-grn/yel,7"	8220-137-002	8220-137-002	1
*	Screw-hxwshrhdsl,10-32tx1/2grn	9545-008-027	9545-008-027	2
*	Wireasy-grn,#17,18	8220-092-006	8220-092-006	
*	Lock washer-exttooth,#10	8641-582-006	8641-582-006	2
15	Wireasy-high voltage,#7,29 1/4"	9631-403-009	9631-403-009	1
16	Bracket-control box,	9029-294-001	9029-254-001	2
*	Screw-hxwshrndrcuthd,10abx3/8	9545-008-024	9545-008-024	6
17	Wire Bushing	9053-067-002	9053-067-002	7
18	Drive-deltae,gas,opl-o,240v	9375-032-016	9375-032-017	1
*	Elecperiph,keypad,delta,edrive	9150-044-001	9150-044-001	1
*	Screw-hxwshdmach,10-32x1	9545-012-020	9545-012-020	2
*	Nut-hexkeps,#10-32unf,2b	8640-413-002	8640-413-002	2

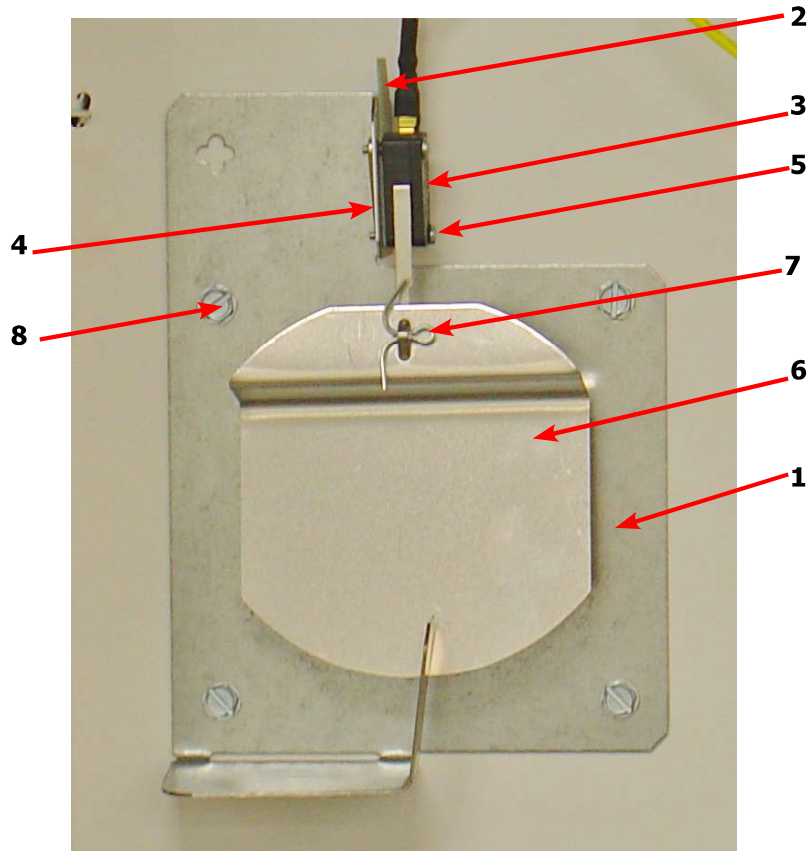
Electrical Box / Ignition Control



Key	Description	T-50	T80	QTY
19	Resistor-dynamicbraking,200ohm	9483-004-002	9483-004-002	1
	Screw-hxwshrndrcuthd,10abx3/8	9545-008-024	9545-008-024	2
*	Screw-pnhdcr,#6-32x5/16	9545-044-006	9545-044-006	2
*	Nut-hexkeps,#6-32	8640-411-003	8640-411-003	2
*	Wireasy-vio,8"	8220-118-003	8220-118-003	2
*	Wireasy-blk/brn,11"	8220-065-043	8220-065-043	1
*	Wireasy-blk/org,13"	8220-065-044	8220-065-044	1
*	Wireasy-org/grn,24"	8220-064-067	8220-064-067	1
*	Wireasy-org,#14,24"	8220-095-040	8220-095-040	1
*	Wireasy-org,27"	8220-095-054	8220-095-054	1
	Cableasy-data,rs485,71"	9806-023-001	9806-023-001	1

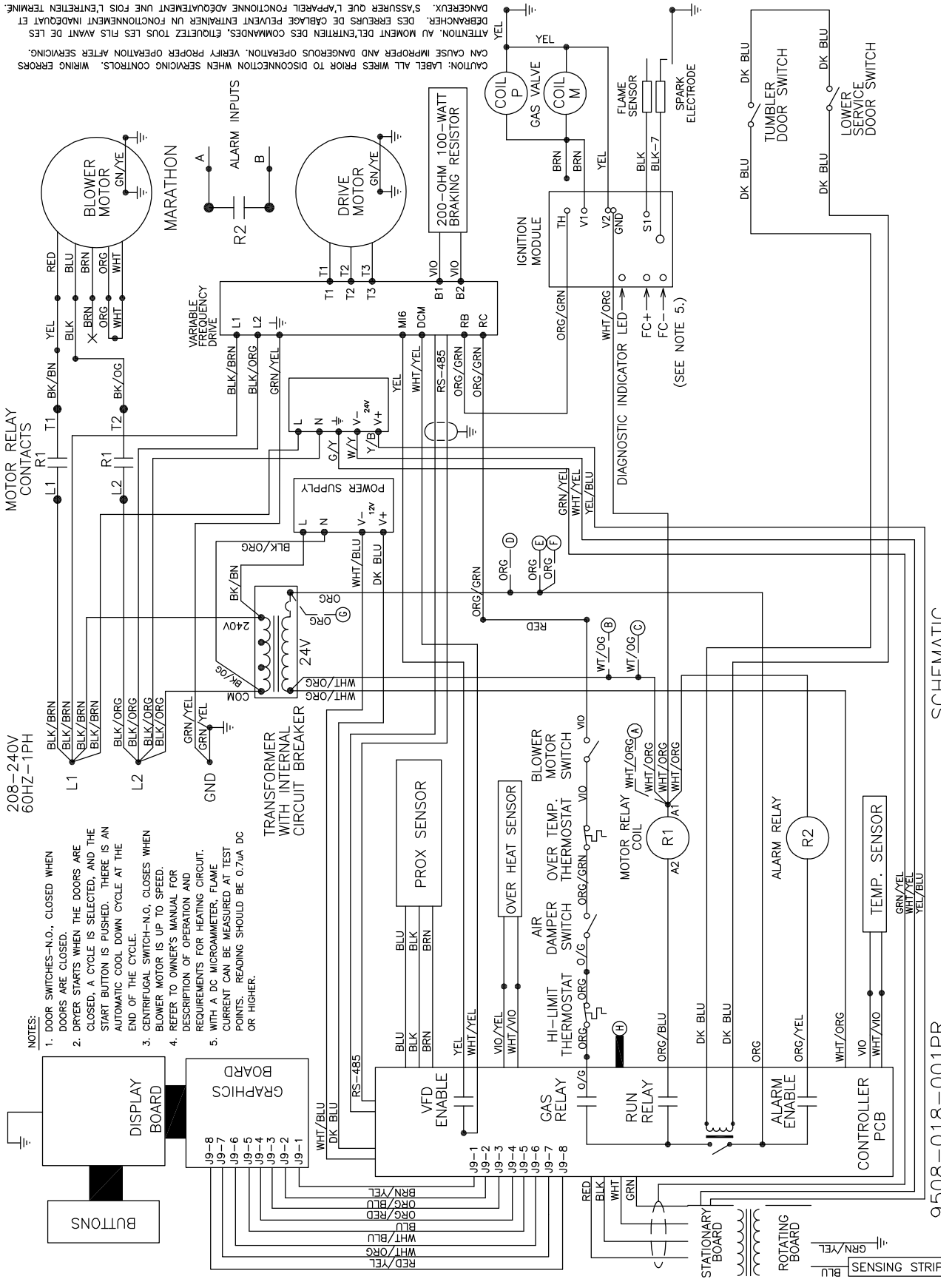
Electrical Box / Ignition Control-10 120VAC Model

Key	Description	T80	QTY
*	CONTROLASY-OPL,T-80REV,-10	9857-238-003	1
18	DRIVE-DELTAE,80#GAS,OPL-O,120V	9375-031-006	1
*	WIRINGLABEL-DIAGRAM/INFORM	9507-046-001	1
*	WIRINGLABEL-SCHEMATIC	9508-046-001	1
2	STRIP-MARKER,TERMINAL	9558-029-005	1
*	WIRINGHARNES-MOTOREXTENSION	9627-864-003	1



Key	Description	T-50	T80	QTY
*	Air Flow switch Assy	9801-098-002	9801-098-002	1
1	Bracket-Airflow switch	9029-200-002	9029-200-002	1
2	Shield-Switch	9550-169-003	9550-169-003	1
3	Switch-Micro	9539-461-009	9539-461-009	1
4	Nut-Twin, 4-40	8640-401-001	8640-401-001	1
5	Screw-.625, 4-40	9545-020-001	9545-020-001	2
6	Actuator-Air Flow Switch	9008-007-001	9008-007-001	1
7	Pin-Cotter, .09375x.75	9451-169-002	9451-169-002	1
8	Screw, 10Bx1/4	9545-008-001	9545-008-001	5
*	Wireasy-org/grn,14"	8220-063-043	8220-063-043	1
*	Wireasy-org/grn,60"	8220-063-045	8220-063-045	1

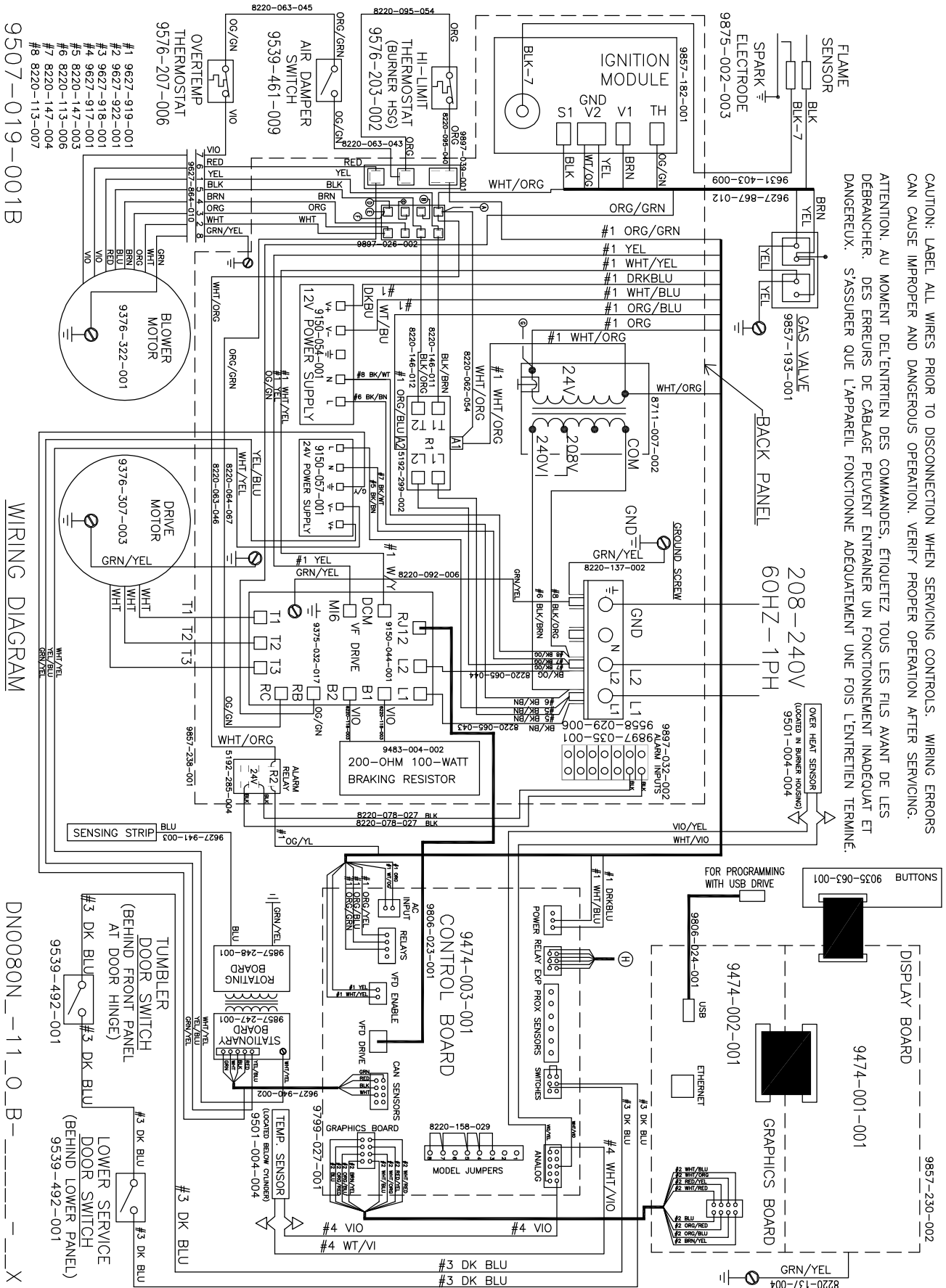
T-50 60Hz 208-240VAC Schematic



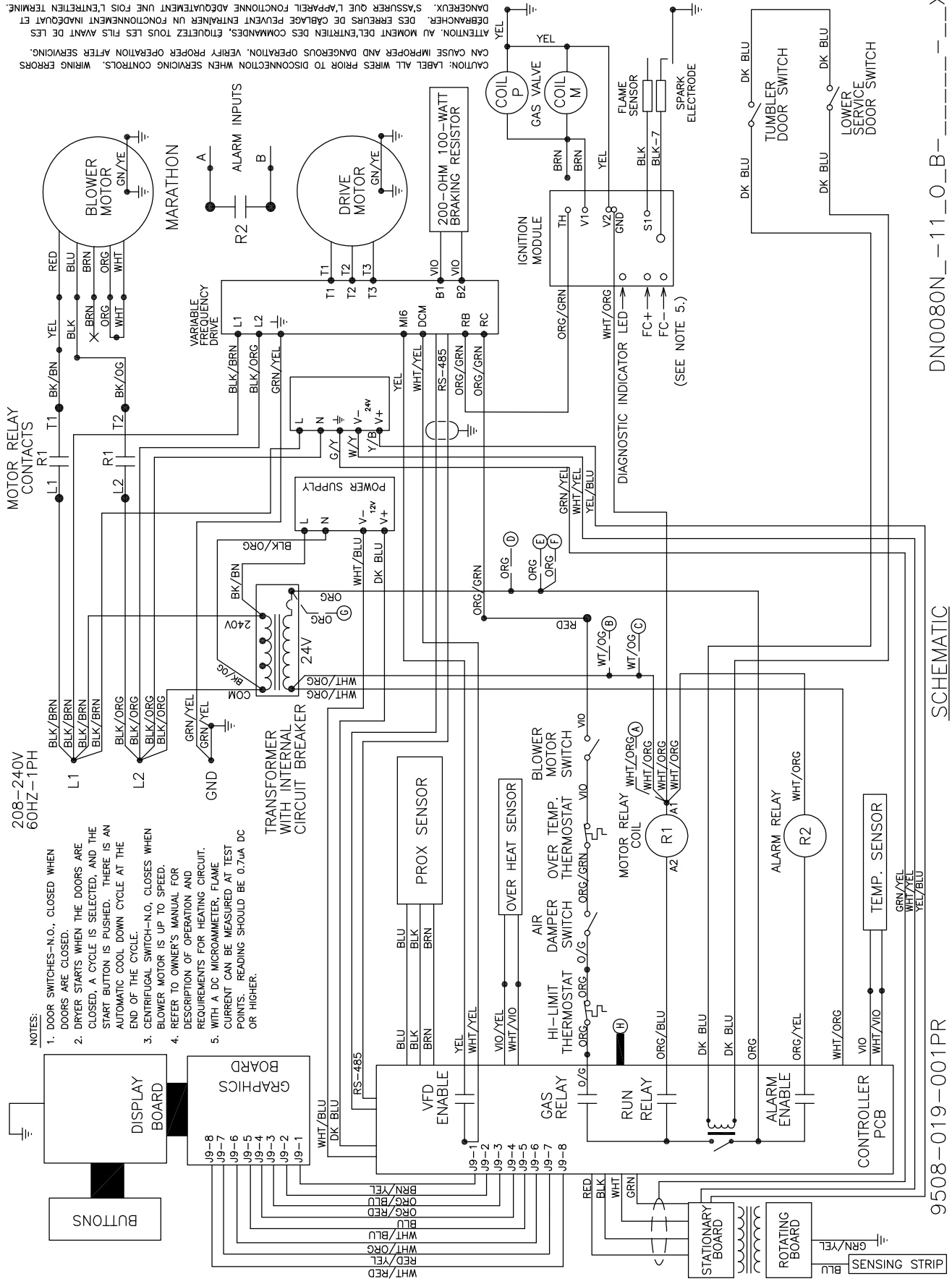
T-80 60Hz 208-240VAC Wiring Diagram

CAUTION: LABEL ALL WIRES PRIOR TO DISCONNECTION WHEN SERVICING CONTROLS. WIRING ERRORS CAN CAUSE IMPROPER AND DANGEROUS OPERATION. VERIFY PROPER OPERATION AFTER SERVICING.

ATTENTION: AU MOMENT DE L'ENTRETIEN DES COMMANDES, ÉTIQUÉTEZ TOUTS LES FILS AVANT DE LES DÉBRANCHER. DES ERREURS DE CÂBLAGE PEUVENT ENTRAÎNER UN FONCTIONNEMENT INADÉQUAT ET DANGEREUX. S'ASSURER QUE L'APPAREIL FONCTIONNE ADEQUATEMENT UNE FOIS L'ENTRETIEN TERMINÉ.



T-80 60Hz 208-240VAC Schematic



208-240V
60HZ-1PH

NOTES:

1. DOOR SWITCHES-N.O., CLOSED WHEN DOORS ARE CLOSED.
2. DRYER STARTS WHEN THE DOORS ARE CLOSED, A CYCLE IS SELECTED, AND THE START BUTTON IS PUSHED. THERE IS AN AUTOMATIC COOL DOWN CYCLE AT THE END OF THE CYCLE.
3. CENTRIFUGAL SWITCH-N.O., CLOSES WHEN BLOWER MOTOR IS UP TO SPEED.
4. REFER TO OWNER'S MANUAL FOR DESCRIPTION OF OPERATION AND REQUIREMENTS FOR HEATING CIRCUIT.
5. WITH A DC MICROAMMETER, FLAME CURRENT CAN BE MEASURED AT TEST POINTS. READING SHOULD BE 0.7uA DC OR HIGHER.

MOTOR RELAY CONTACTS

R1: RED, BLU, BRN, ORG, WHT, GN/YE

R2: A, B

TRANSFORMER WITH INTERNAL CIRCUIT BREAKER

240V, 24V

VARIABLE FREQUENCY DRIVE

L1, L2, T1, T2, T3

POWER SUPPLY

12V, 24V

IGNITION MODULE

TH, V10, V20, GND, S10, FC+, FC-

DIAGNOSTIC INDICATOR LED

(SEE NOTE 5.)

MOTOR RELAY COIL

R1: A1, A2

ALARM RELAY

R2

TEMP. SENSOR

GRN/YEL, WHT/YEL, YEL/BLU

CONTROLLER PCB

J9-1 to J9-8

STATIONARY BOARD

RED/YEL, WHT/ORG, WHT/BLU, BRN/YEL, ORG/RED, WHT/BLU, WHT/YEL

ROTATING BOARD

BLU, GRN/YEL

SENSING STRIP

BLU, GRN/YEL

CAUTION: LABEL ALL WIRES PRIOR TO DISCONNECTION WHEN SERVICING CONTROLS. WIRING ERRORS CAN CAUSE IMPROPER AND DANGEROUS OPERATION. VERIFY PROPER OPERATION AFTER SERVICING.

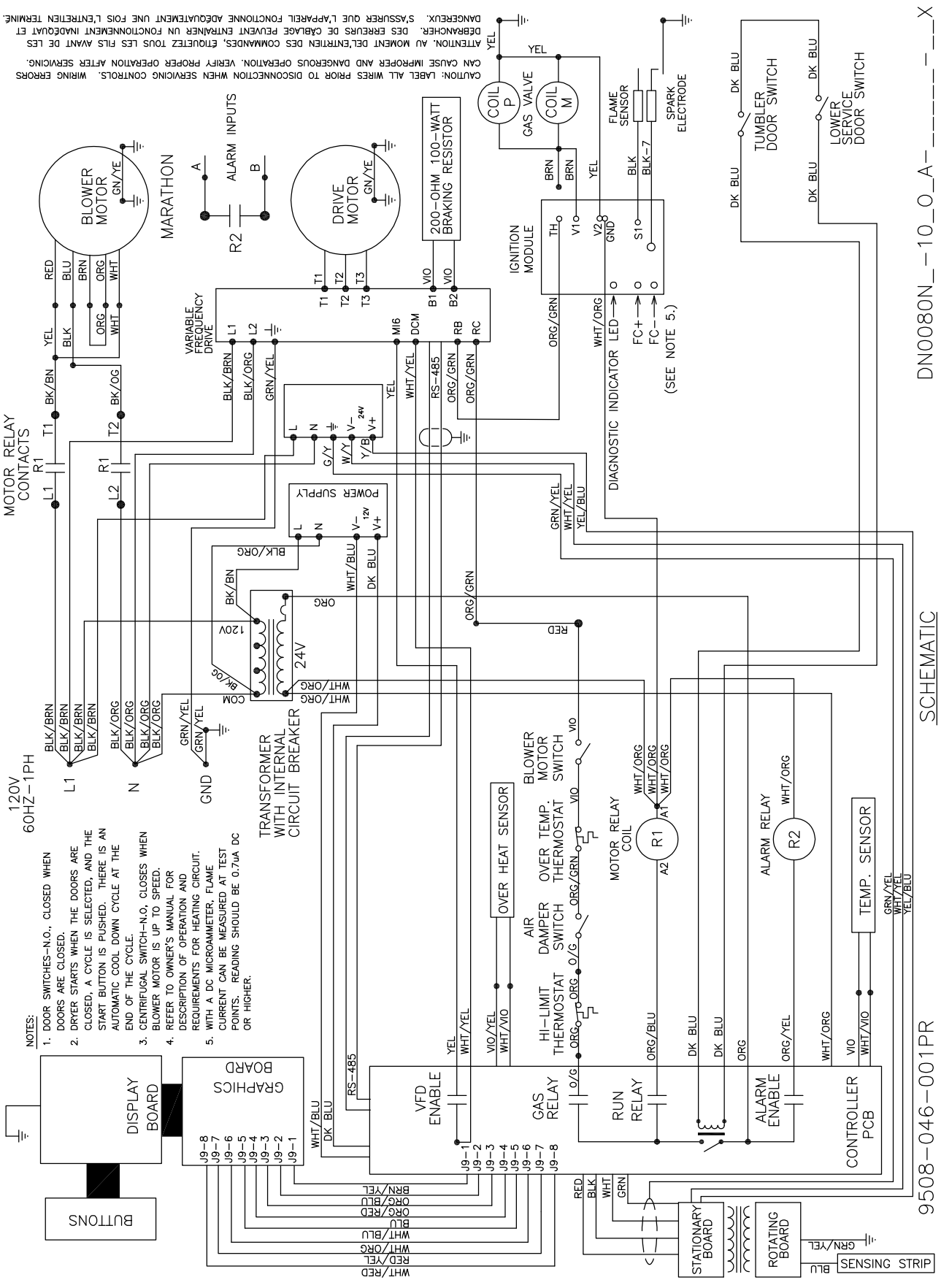
ATTENTION: AU MOMENT DEL'ENTRIEN DES COMMANDES, ETIQUETEZ TOUS LES FILS AVANT DE LES DEBRANCHER. DES ERREURS DE CABLAGE PEUVENT ENTRAINER UN FONCTIONNEMENT INADQUAT ET DANGEREUX. S'ASSURER QUE L'APPAREIL FONCTIONNE ADEQUATEMENT UNE FOIS L'ENTRIEN TERMINE.

DN0080N_11_0_B_

SCHEMATIC

9508-019-001PR

T-80 60hz 120VAC Schematic



120V 60HZ - 1PH

NOTES:

1. DOOR SWITCHES-N.O., CLOSED WHEN DOORS ARE CLOSED.
2. DRYER STARTS WHEN THE DOORS ARE CLOSED, A CYCLE IS SELECTED, AND THE START BUTTON IS PUSHED. THERE IS AN AUTOMATIC COOL DOWN CYCLE AT THE END OF THE CYCLE.
3. CENTRIFUGAL SWITCH-N.O., CLOSSES WHEN BLOWER MOTOR IS UP TO SPEED.
4. REFER TO OWNER'S MANUAL FOR DESCRIPTION OF OPERATION AND REQUIREMENTS FOR HEATING CIRCUIT.
5. WITH A DC MICROAMMETER, FLAME CURRENT CAN BE MEASURED AT TEST POINTS. READING SHOULD BE 0.7uA DC OR HIGHER.

CAUTION: LABEL ALL WIRES PRIOR TO DISCONNECTION WHEN SERVICING CONTROLS. WIRING ERRORS CAN CAUSE IMPROPER AND DANGEROUS OPERATION. VERIFY PROPER OPERATION AFTER SERVICING.

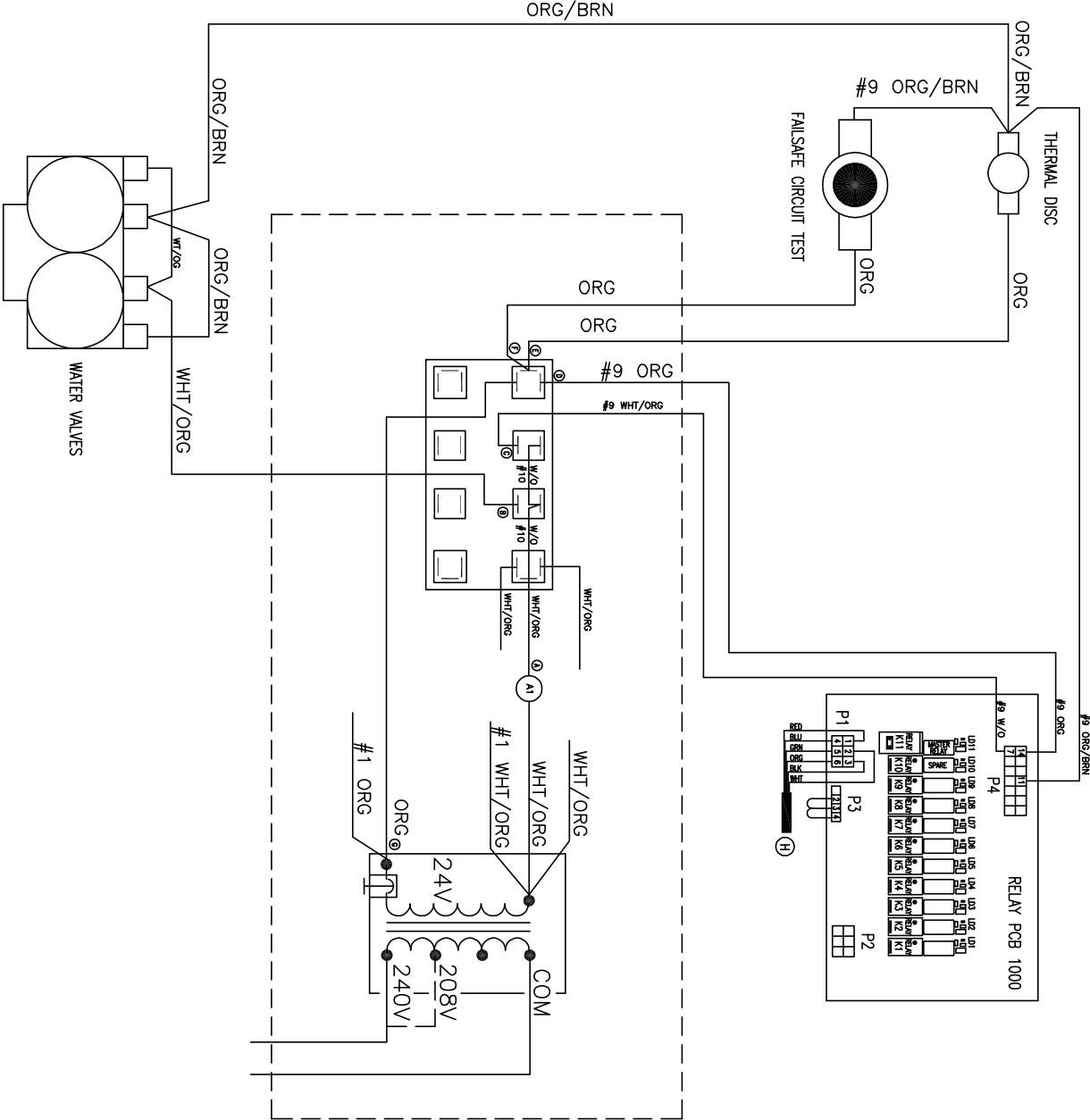
ATTENTION: AU MOMENT DE L'ENTRIEN DES COMMANDES, ETOUTEZ TOUTS LES FILS AVANT DE LES DEBRANCHER. DES ERREURS DE CÂBLAGE PEUVENT ENTRAIEN UN FONCTIONNEMENT INADÉQUAT ET DANGEREUX. S'ASSUREZ QUE L'APPAREIL FONCTIONNE ADEQUATEMENT UNE FOIS L'ENTRIEN TERMINÉ.

9508-046-001PR

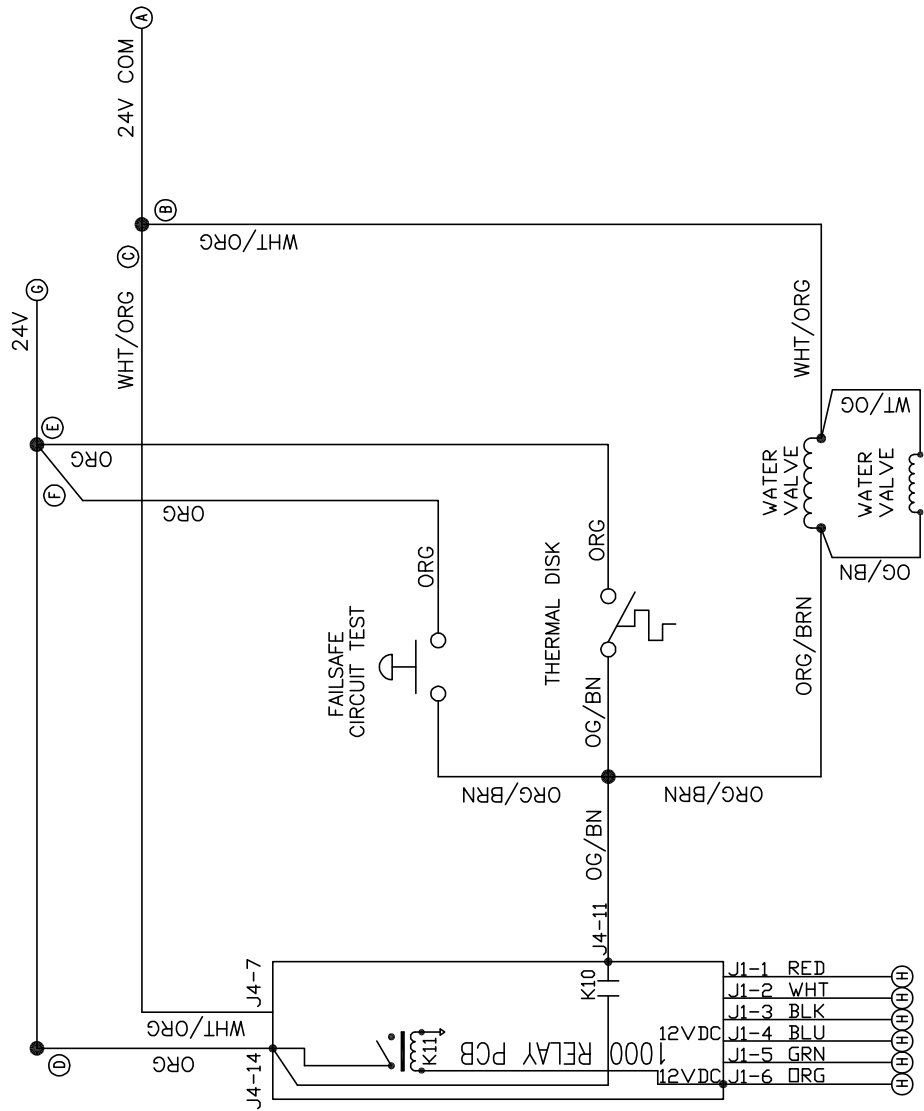
SCHEMATIC

DN0080N_10_0_A_1

Optional Water Wiring Diagram



Optional Water Schematic



Section 6:

Electric Heated Dryer Parts Data

Notes

Handwritten notes area with multiple horizontal lines for writing.

Section 7:

50Hz

Dryer Parts

Data

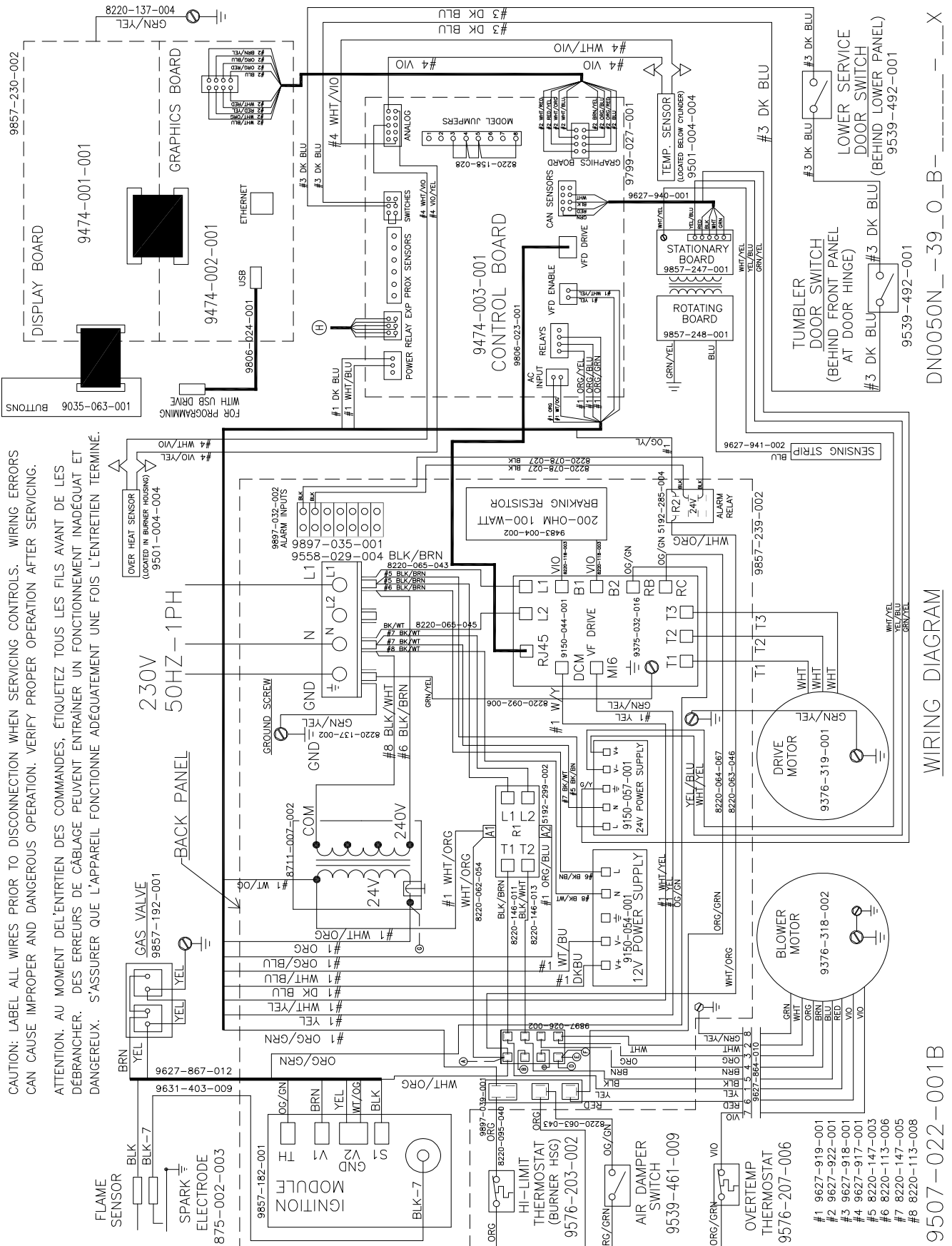
DN0050ND-39AO Addtional Parts

Key	Description	T-50	QTY
*	INFORMATIVE-MOUNTINGLOCATIONS	6102-034-001	1
*	WIREASY-BLK/WHT,13"	8220-065-045	1
*	WIREASY-JUMPER,BLK/WHT,15"	8220-113-008	1
*	WIREASY-BLK/WHT,15"	8220-146-013	1
*	WIREASY-JUMPER,BLK/WHT,9-17	8220-147-005	1
*	LABEL-AUSSIEWARNING	8502-698-001	1
*	LABEL-AUSTGASAPPROVALBADGE	8502-699-001	1
*	LABEL-WARNING,NATURALGAS	8502-770-001	1
*	INSTRUCT-AUSADDENDUM,CONTACT	8507-440-001	1
*	MOTOR-MRTHON,50HZ,LEAD	9376-318-002	1
*	ORIFICE-MAINBURNER,#32	9425-069-009	3
*	OVERLAY-TRIM,LWDR,BLK,ENG	9435-016-005	1
*	WIRINGLABEL-DIAGRAM/INFORM	9507-006-001	1
*	WIRINGLABEL-SCHEMATIC	9508-006-001	1
*	STRIP-MARKER,TERMINAL	9558-029-004	1
*	HOUSINGASSY-BURNER,50#(50HZ)	9803-211-002	1
*	TEEASSY-RECIRCULATION	9810-019-001	1
*	CONTROLASSY-OPL,T-50REV,-39	9857-239-002	1

DN0080ND-39AO Addtional Parts

Key	Description	T-80	QTY
*	INFORMATIVE-MOUNTINGLOCATIONS	6102-034-001	1
*	WIREASY-BLK/WHT,13"	8220-065-045	1
*	WIREASY-JUMPER,BLK/WHT,15"	8220-113-008	1
*	WIREASY-BLK/WHT,15"	8220-146-013	1
*	WIREASY-JUMPER,BLK/WHT,9-17	8220-147-005	1
*	LABEL-AUSSIEWARNING	8502-698-001	1
*	LABEL-AUSTGASAPPROVALBADGE	8502-699-001	1
*	LABEL-WARNING,NATURALGAS	8502-770-001	1
*	INSTRUCT-AUSADDENDUM,CONTACT	8507-440-001	1
*	MOTOR-DRYER,STK,.75HP,MARATHON	9376-333-001	1
*	ORIFICE-MAINBURNER,#30	9425-069-002	4
*	OVERLAY-TRIM,LWDR,80#BLK,ENG	9435-016-006	1
*	WIRINGLABEL-DIAGRAM/INFORM	9507-007-001	1
*	WIRINGLABEL-SCHEMATIC	9508-007-001	1
*	STRIP-MARKER,TERMINAL	9558-029-004	1
*	HOUSINGASSY-BURNER,80#(50HZ)	9803-212-002	1
*	CONTROLASY-OPL,T-80REV,-39	9857-238-002	1

T-50 50hz Wiring Diagram



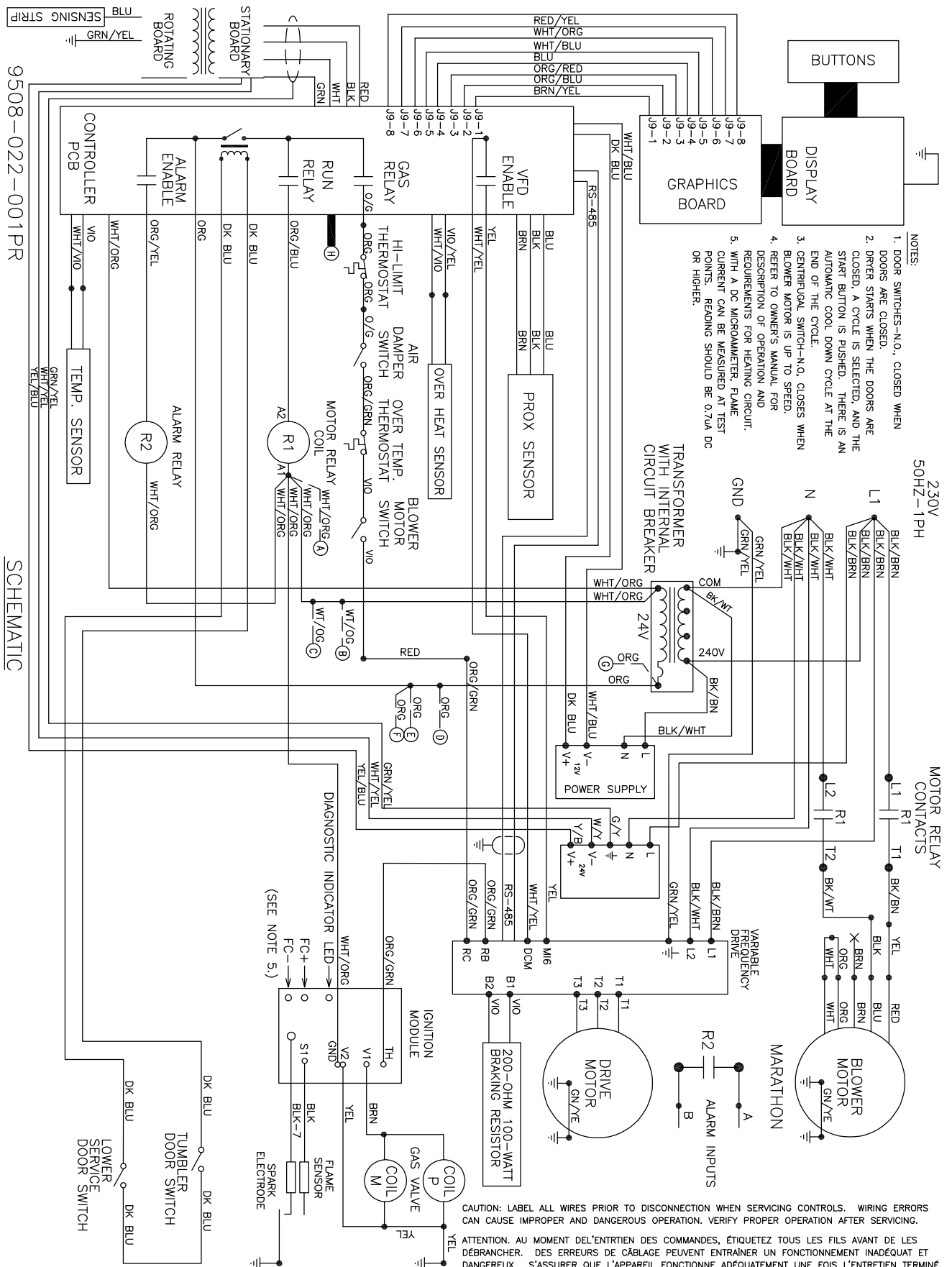
CAUTION: LABEL ALL WIRES PRIOR TO DISCONNECTION WHEN SERVICING CONTROLS. WIRING ERRORS CAN CAUSE IMPROPER AND DANGEROUS OPERATION. VERIFY PROPER OPERATION AFTER SERVICING.

ATTENTION: AU MOMENT DEL'ENTRIEN DES COMMANDES, ÉTIQUETEZ TOUS LES FILS AVANT DE LES DEBRANCHER. DES ERREURS DE CÂBLAGE PEUVENT ENTRAÎNER UN FONCTIONNEMENT INADÉQUAT ET DANGEREUX. S'ASSURER QUE L'APPAREIL FONCTIONNE ADEQUATEMENT UNE FOIS L'ENTRIEN TERMINÉ.

WIRING DIAGRAM

9507-022-001B

T-50 50hz Schematic



NOTES:

1. DOOR SWITCHES-N.O., CLOSED WHEN DOORS ARE CLOSED.
2. DRYER STARTS WHEN THE DOORS ARE CLOSED, A CYCLE IS SELECTED, AND THE START BUTTON IS PUSHED. THERE IS AN AUTOMATIC COOL DOWN CYCLE AT THE END OF THE CYCLE.
3. CENTRIFUGAL SWITCH-N.O., CLOSSES WHEN BLOWER MOTOR IS UP TO SPEED.
4. REFER TO OWNER'S MANUAL FOR REQUIREMENTS FOR HEATING CIRCUIT.
5. WITH A DC MICROAMMETER, FLAME CURRENT CAN BE MEASURED AT TEST POINTS. READING SHOULD BE 0.7UA DC OR HIGHER.

230V
50HZ-1PH

MOTOR RELAY CONTACTS

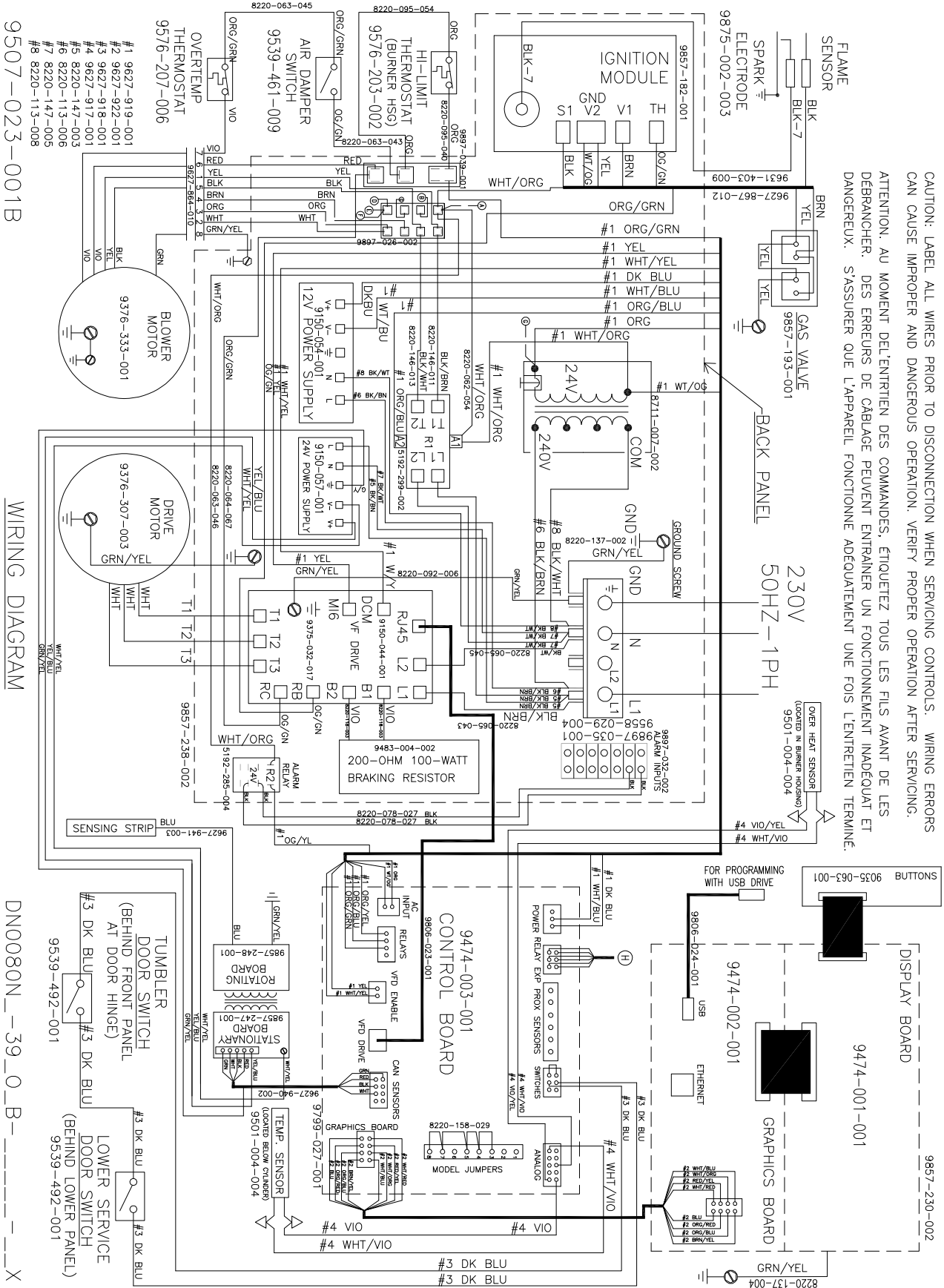
CAUTION: LABEL ALL WIRES PRIOR TO DISCONNECTION WHEN SERVICING CONTROLS. WIRING ERRORS CAN CAUSE IMPROPER AND DANGEROUS OPERATION. VERIFY PROPER OPERATION AFTER SERVICING.
ATTENTION: AU MOMENT DEL'ENTRIEN DES COMMANDES, ÉTIQUETEZ TOUS LES FILS AVANT DE LES DÉBRANCHER. DES ERREURS DE CÂBLAGE PEUVENT ENTRAÎNER UN FONCTIONNEMENT INADÉQUAT ET DANGEREUX. S'ASSURER QUE L'APPAREIL FONCTIONNE ADEQUATEMENT UNE FOIS L'ENTRIEN TERMINÉ.

9508-022-001PR

SCHEMATIC

T-80 50hz Wiring Diagram

CAUTION: LABEL ALL WIRES PRIOR TO DISCONNECTION WHEN SERVICING CONTROLS. WIRING ERRORS CAN CAUSE IMPROPER AND DANGEROUS OPERATION. VERIFY PROPER OPERATION AFTER SERVICING.
 ATTENTION: AU MOMENT DE L'ENTRETIEN DES COMMANDES, ÉTIQUÉTEZ TOUTS LES FILS AVANT DE LES DÉBRANCHER. DES ERREURS DE CÂBLAGE PEUVENT ENTRAÎNER UN FONCTIONNEMENT INADÉQUAT ET DANGEREUX. S'ASSURER QUE L'APPAREIL FONCTIONNE ADEQUATEMENT UNE FOIS L'ENTRETIEN TERMINÉ.

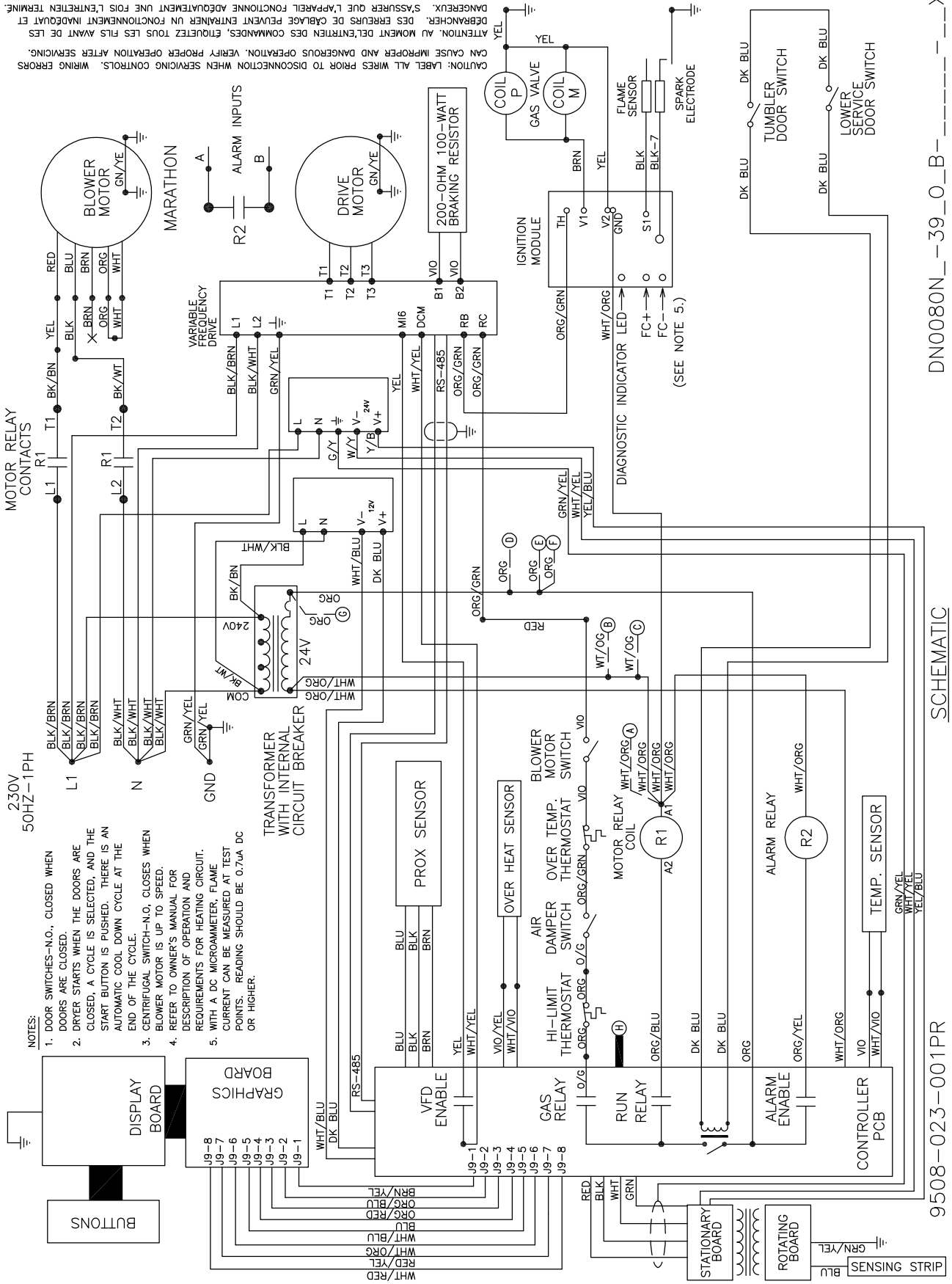


9507-023-001B

WIRING DIAGRAM

DN0080N--39_0_B--X

T-80 50hz Schematic

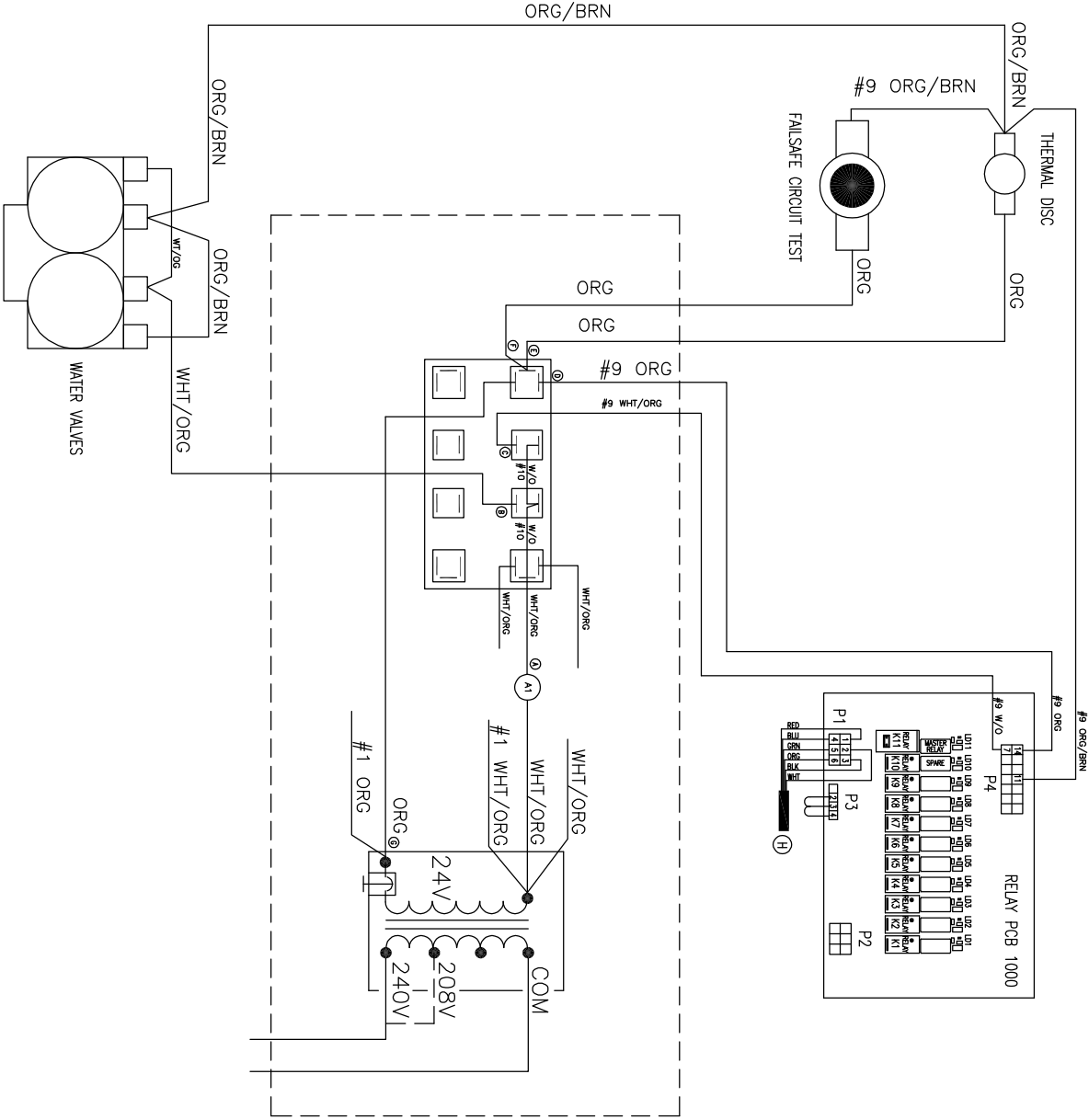


DN0080N--39_O_B--X

SCHEMATIC

9508-023-001PR

Optional Water Wiring Diagram



Optional Water Schematic

