



# Section 5:

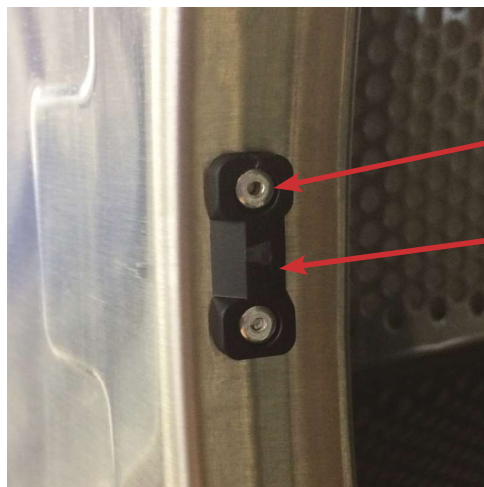
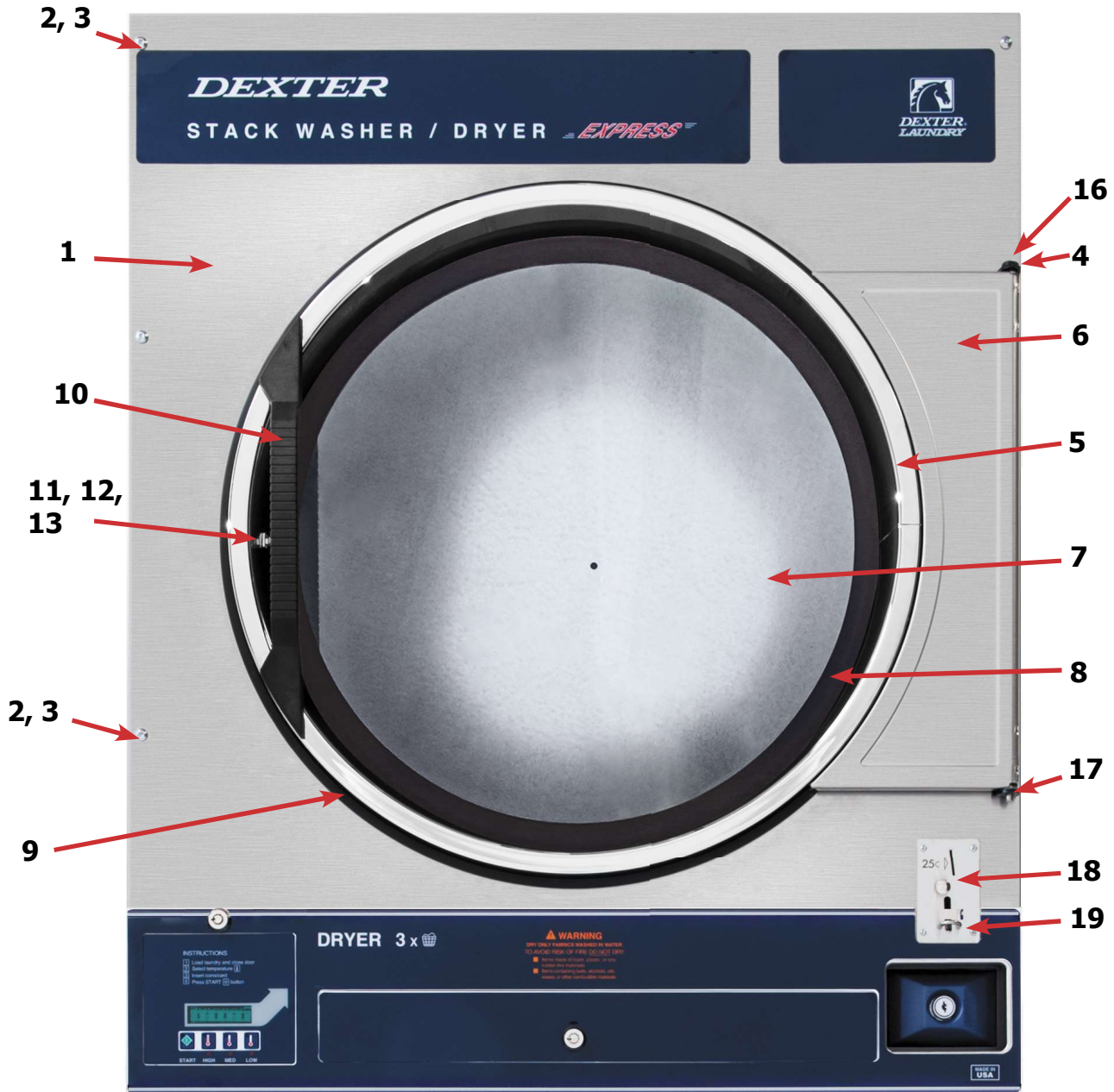
## Dryer Parts Data

### SWD

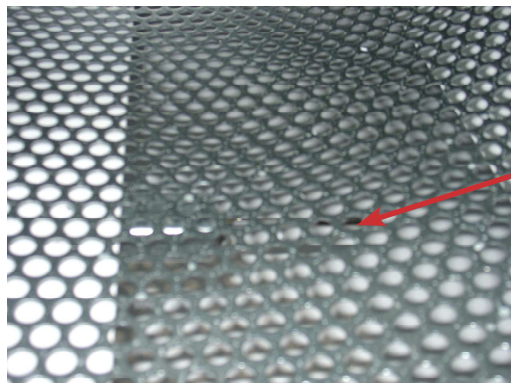
# Dryer Cabinet Group

|    | Description                                     | T-30 SWD     | QTY |
|----|---|--------------|-----|
| 1  | Panel Assy., Front- Upper (SS)                  | 9989-602-001 | 1   |
| *  | Insulation Front Panel, half moon (top)         | 9277-063-001 | 1   |
| *  | Insulation Front Panel, half moon (bottom)      | 9277-063-002 | 1   |
| 2  | Screw, FLHDCR, 10B x 1                          | 9545-008-014 | 4   |
| 3  | Washer, Finish, #10                             | 8641-585-001 | 4   |
| *  | Nut, Spring                                     | 8640-399-001 | 4   |
| *  | Hinge ,Backup Plate                             | 9982-386-001 | 1   |
| *  | Screw, Countersink, 10-32X 1/2                  | 9545-012-003 | 2   |
| 4  | Strap, Hinge (SS/Black)                         | 9544-072-002 | 2   |
| *  | Screw, Hinge to Panel                           | 9545-012-028 | 4   |
| *  | Door Assy., Loading Complete-SS                 | 9960-256-034 | 1   |
| *  | Door Assy., Loading Complete-Chrome/BLK/SS      | 9960-256-035 | 1   |
| 5  | Door Assy., Loading-SS(ring only)               | 9960-255-008 | 1   |
| 5  | Door Assy., Loading-Chrome(ring only)           | 9960-255-016 | 1   |
| 6  | Plate Assy., Hinge (SS)                         | 9982-280-012 | 1   |
| *  | Screw, Hinge to Door                            | 9545-012-015 | 4   |
| *  | Nut, Hinge to Door                              | 8640-413-002 | 4   |
| *  | Cover, Hinge Plate                              | 9074-341-002 | 1   |
| *  | Screw, Phillips-10B x 3/8                       | 9545-008-010 | 2   |
| 7  | Glass, Door                                     | 9212-002-003 | 1   |
| 8  | Gasket, Glass Black                             | 9206-413-001 | 1   |
| *  | Support, Door Glass                             | 9548-117-000 | 1   |
| *  | Tool Install Dryer Door Gasket                  | 8545-064-001 | 1   |
| 9  | Gasket, Outer Rim Black                         | 9206-420-003 | 1   |
| 10 | Handle, Loading Door                            | 9244-093-001 | 1   |
| *  | Screw, Handle 1/4-20 x 3/8                      | 9545-018-017 | 2   |
| 11 | Stud, Door Catch, 7/8                           | 9531-033-002 | 1   |
| 12 | Nut, Hex  | 8640-413-001 | 1   |
| 13 | Nut, Acorn                                      | 8640-413-003 | 1   |
| 14 | Catch, Loading Door                             | 9086-015-002 | 1   |
| 15 | Pop Rivet for mtg. catch                        | 8638-190-009 | 2   |
| 16 | Screw, Door to Hinge Strap (Special Black Type) | 9545-052-001 | 1   |
| 17 | Washer, Fiber                                   | 8641-436-003 | 1   |
| 18 | Acceptor, Coin                                  | 9021-094-001 | 1   |
| *  | Retainer, Coin Acceptor                         | 9486-145-001 | 2   |
| 19 | Screw, 4Bx5/8ss, T10                            | 9545-053-002 | 4   |
| *  | Switch, Optical                                 | 9801-099-001 | 1   |
|    |   |              |     |

# Cabinet Group



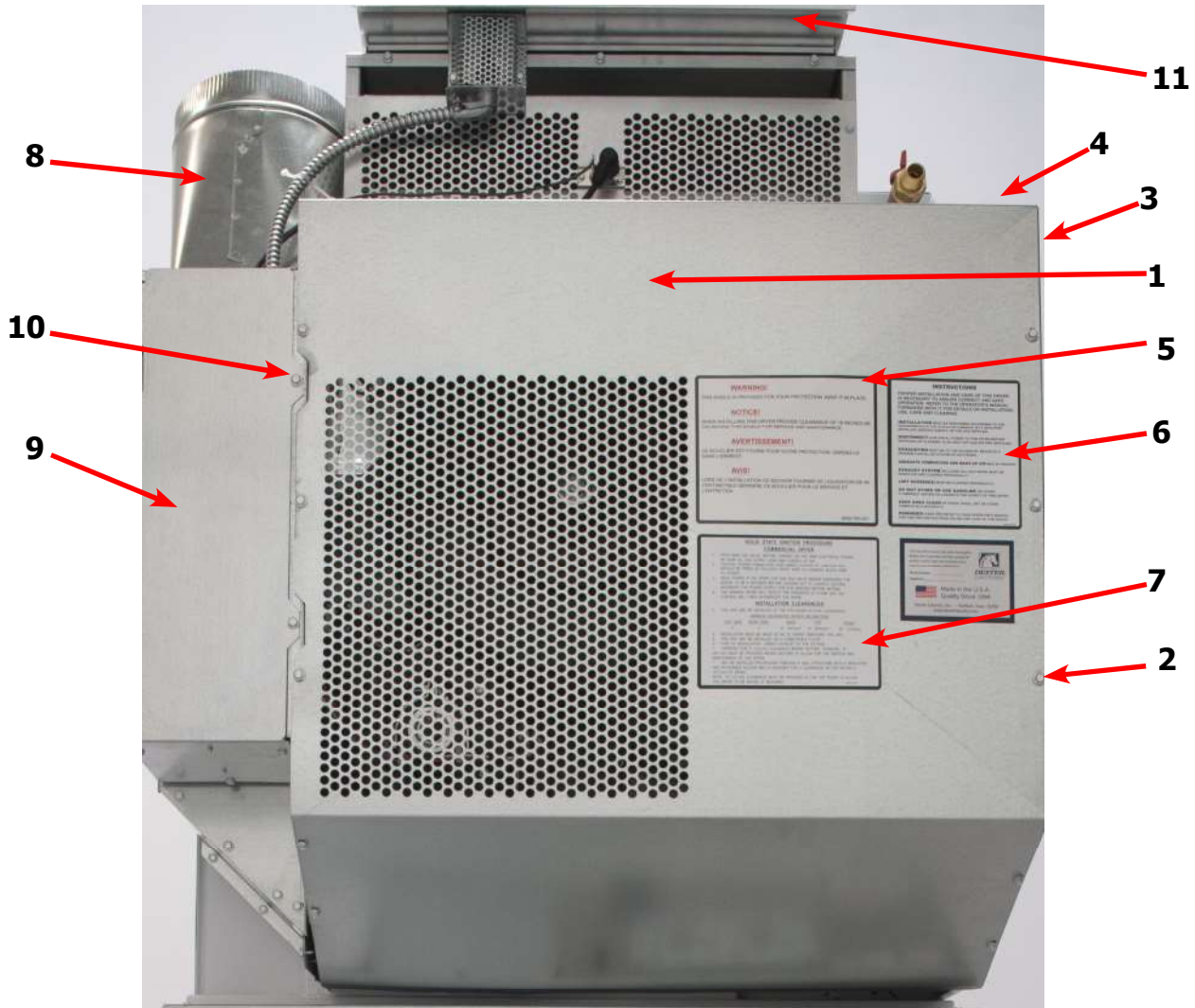
# Dryer Cabinet Group



## Cabinet Group Continued

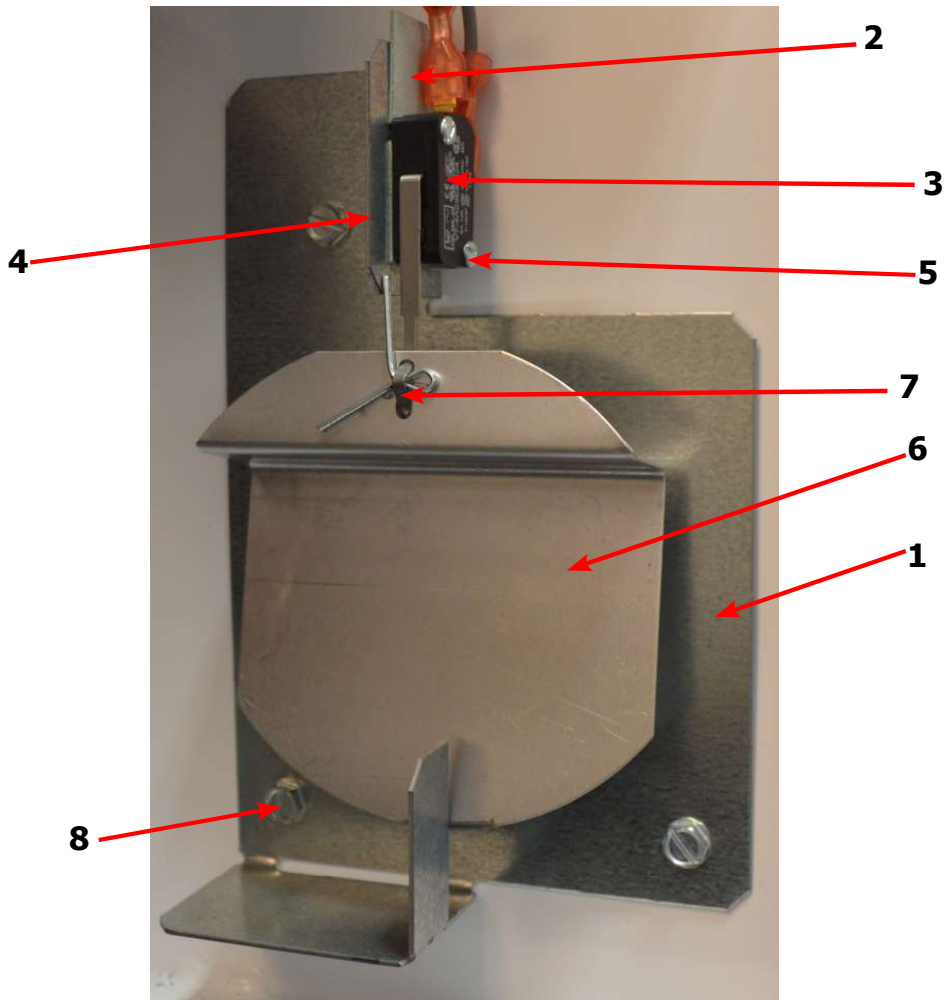
| Key | Description                                 | T-30 SWD     | QTY |
|-----|---|--------------|-----|
| 20  | Escutcheon, SWD, Dryer Coin                 | 9994-041-001 | 1   |
| 21  | Trim, Overlay Blue                          | 9435-055-002 | 1   |
| 21  | Trim, Overlay Black                         | 9435-055-001 | 1   |
| *   | Screw, #4-40 x 3/16                         | 9545-020-009 | 13  |
| 22  | Nameplate Stack Dryer Express Blue          | 9412-202-002 | 1   |
| 22  | Nameplate Stack Dryer Express Black         | 9412-202-001 | 1   |
| *   | Lint Drawer Assembly Blue                   | 9866-004-001 | 1   |
| *   | Lint Drawer Assembly Black                  | 9866-004-003 | 1   |
| *   | Drawer, Front                               | 9974-010-001 | 1   |
| *   | Washer, Flat, #10                           | 8641-581-006 | 2   |
| *   | Washer, Curved-Spring                       | 8641-569-004 | 2   |
| *   | Nut, 10-32                                  | 8640-413-007 | 2   |
| 23  | Overlay Trim, Lint Drwr-Blue                | 9435-003-009 | 1   |
| 23  | Overlay Trim, Lint Drwr-Black               | 9435-003     | 1   |
| *   | Felt Seal (back of lint screen assembly)    | 9532-074-003 | 1   |
| *   | Lint Screen Assembly ONLY (no front)        | 9805-029-002 | 1   |
| *   | Replaceable Lint Screen Only                | 9555-057-009 | 1   |
| 24  | Lock and Key, Lint Drawer                   | 8650-012-004 | 1   |
| *   | Key 6101 only                               | 6292-006-010 | 1   |
| *   | Cam, Lock                                   | 9095-043-001 | 1   |
| *   | Lint Screen Strap Hold Down Screws 10Bx 1/4 | 9545-008-001 | 14  |
| 25  | Controls Assy, 24VAC, Blue                  | 9857-199-002 | 1   |
| 25  | Controls Assy, 24VAC, Black                 | 9857-199-004 | 1   |
| *   | Harness, Electronic Control                 | 9627-913-002 | 1   |
| 26  | Lock and Key, Control                       | 8650-012-003 | 1   |
| *   | Cam, Lock                                   | 9095-041-001 | 1   |
| *   | Key only 6324                               | 6292-006-007 | 1   |
| 27  | Sensor Temp Control                         | 9501-010-001 | 2   |
| *   | Harness, Main                               | 9627-913-003 | 1   |
| *   | Wire Nut Connector Grey                     | 8640-276-002 | 4   |
| *   | Cover, Cabinet (Top)                        | 9074-365-001 | 1   |
| *   | Insulation Cabinet Cover                    | 9277-041-011 | 1   |
| *   | Stack Dryer Trunion Puller                  | 9732-243-002 | 1   |
| *   | Vault, Coin Box                             | 9942-028-005 | 1   |
| *   | Screws, Mounting-Coin Vault                 | 9545-008-024 | 2   |
| 28  | Coin Box Assy, Small Blue                   | 9807-099-001 | 1   |
| 28  | Coin Box Assy, Small Black                  | 9807-099-003 | 1   |
|     |   |              |     |

# Dryer Back Panels and Guards



| Key | Description                   | Part Number  | Qty |
|-----|-------------------------------|--------------|-----|
| 1   | Guard, Drive                  | 9208-124-001 | 1   |
| 2   | Screw, 10AB x 3/8             | 9545-008-024 | 18  |
| 3   | Panel, Drive Guard,           | 9208-123-001 | 1   |
| 4   | Guard-Small, upper            | 9208-074-001 | 1   |
| 5   | Warning, Lable                | 8502-763-001 | 1   |
| 6   | Lable, Instructions           | 8502-645-001 | 1   |
| 7   | Lighting and Clearence, Label | 8527-112-001 | 1   |
| 8   | Duct, Transition              | 9109-129-001 | 1   |
| 9   | Door, Cover-Control Box       | 9108-141-001 | 1   |
| 10  | Guard Side, RH                | 9208-141-001 | 1   |
| *   | Cabinet, Cover                | 9074-365-001 | 1   |
| *   | Insulation                    | 9277-041-011 | 1   |
| 11  | Shield-Burner Inlet           | 9550-173-001 | 1   |
| *   | Wiring Diagram & Schematic    | 9506-826-001 | 1   |

# Air Flow Switch Assembly

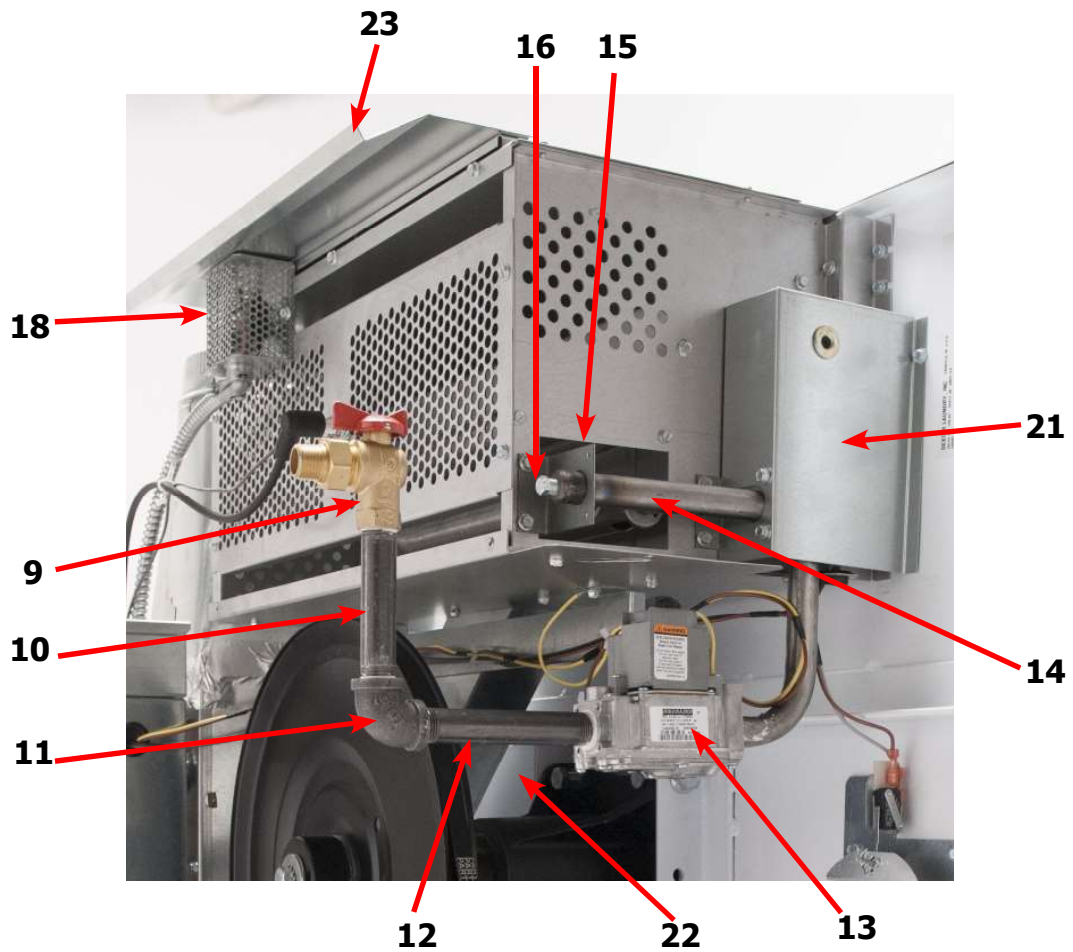
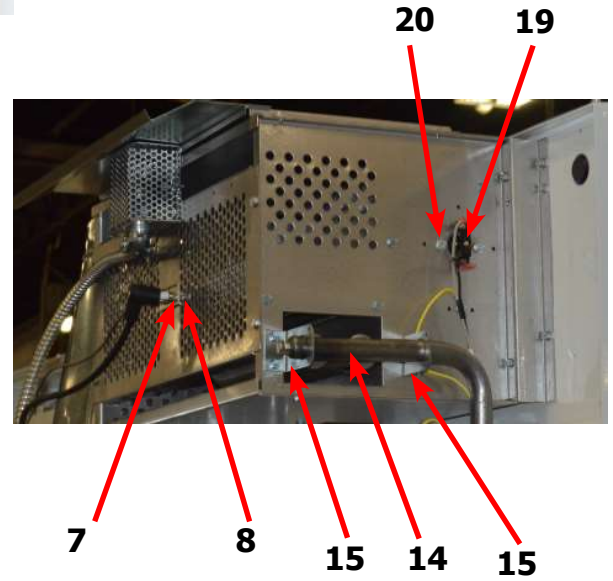
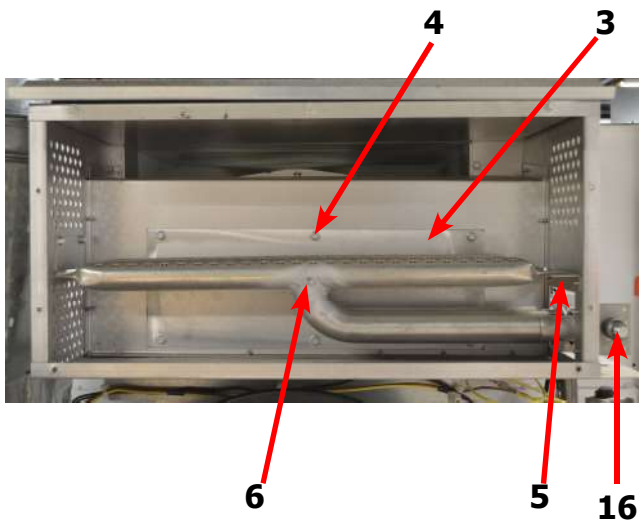
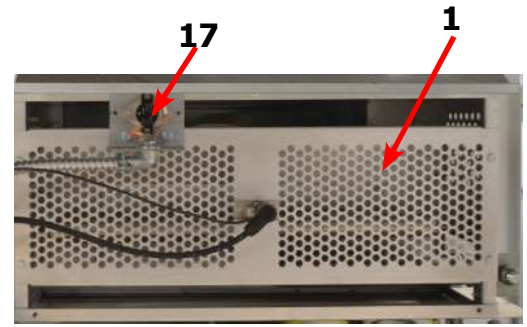
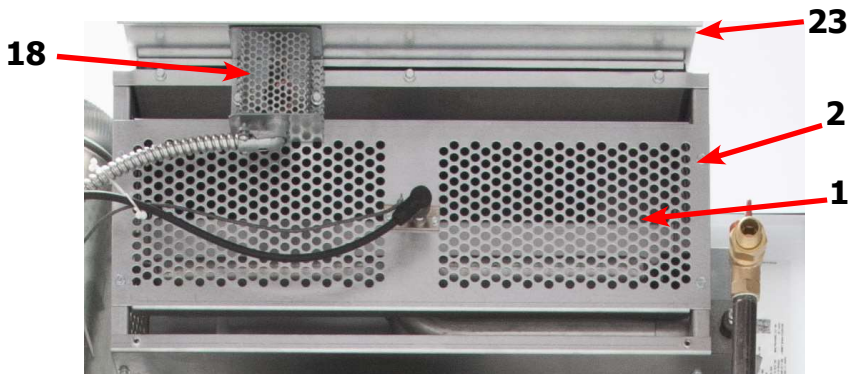


| Key | Description                        | T-30 SWD     | QTY |
|-----|------------------------------------|--------------|-----|
| *   | Air Flow switch Assy               | 9801-095-001 | 2   |
| 1   | Bracket-Airflow switch             | 9029-174-001 | 2   |
| 2   | Shield-Switch                      | 9550-169-003 | 2   |
| 3   | Switch-Micro                       | 9539-461-009 | 2   |
| 4   | Nut-Twin, 4-40                     | 8640-401-001 | 2   |
| 5   | Screw-.625, 4-40                   | 9545-020-001 | 2   |
| 6   | Actuator-Air Flow Switch           | 9008-007-001 | 2   |
| 7   | Pin-Cotter, .09375x.75             | 9451-169-002 | 2   |
| 8   | Screw, 10AB x 3/8                  | 9545-008-024 | 3   |
| *   | Harness Assembly, Overtemp/Airflow | 9627-861-001 | 1   |

## Dryer Burner Housing Group

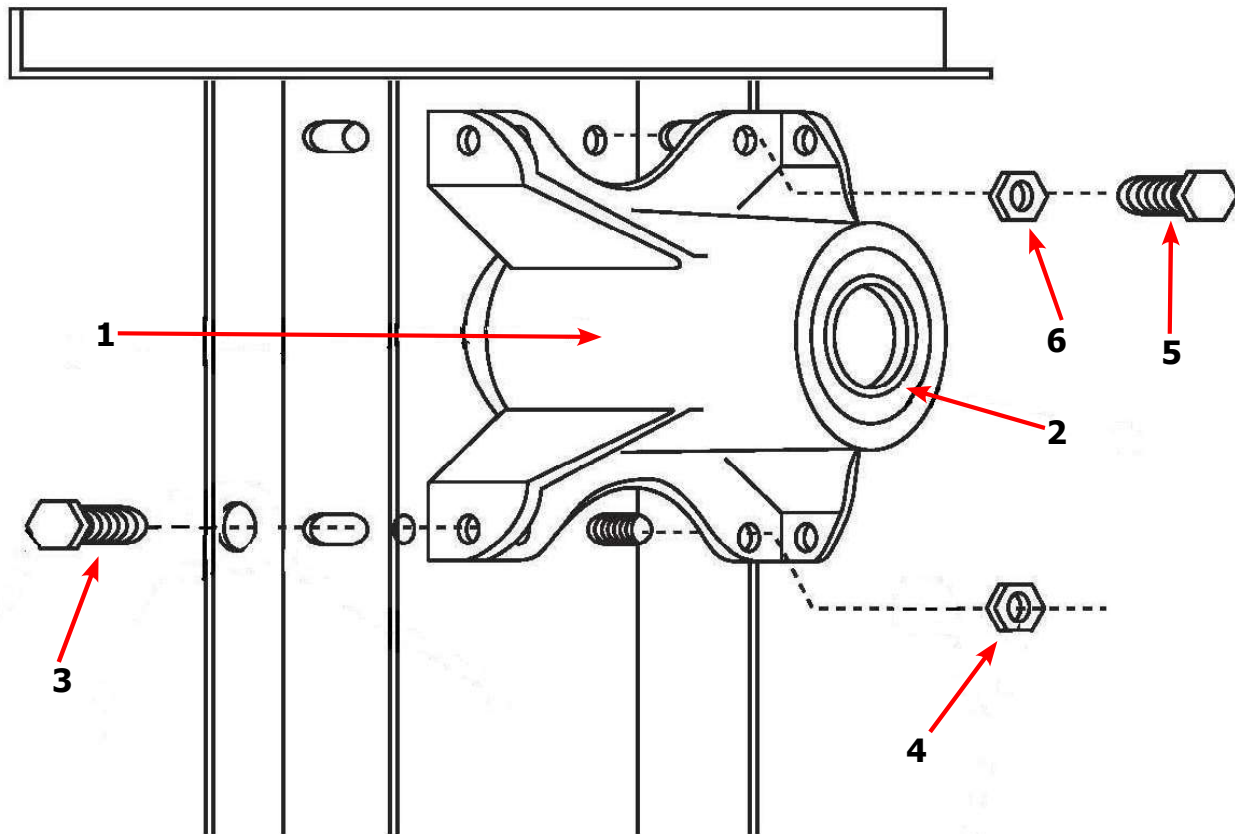
| Key | Description   | T-30 SWD     | QTY |
|-----|---|--------------|-----|
| *   | Housing Assembly, Burner (All sheet metal parts not listed) | 9803-220-001 | 1   |
| 1   | Service Burner Plate Front                                  | 9452-730-001 | 1   |
| 2   | Screw, 10B X 1/4"   | 9545-008-001 | 4   |
| 3   | Service Plate baffle Recirculation Chamber Clean Out        | 9452-729-001 | 1   |
| 4   | Screw, 10B x 3/8"   | 9545-008-006 | 6   |
| 5   | Angle, Burner Support                                       | 9003-220-001 | 1   |
| *   | Screw, 10B x 3/8"   | 9545-008-006 | 2   |
| 6   | Burner, Main  | 9048-020-001 | 2   |
| *   | Screw 10AB x 3/8"   | 9545-008-006 | 2   |
| *   | Panel, Back Burner Housing                                  | 9454-816-001 | 1   |
| 7   | Electrode Assy, Ignition                                    | 9875-002-003 | 1   |
| 8   | Screw, Electrode Mtg 8B x 1/4"                              | 9545-045-001 | 2   |
| 9   | Valve, Gas Shut Off   | 9379-196-001 | 1   |
| 10  | Pipe, 1/2 x 4 1/2, BLK                                      | 8655-073-044 | 1   |
| 11  | Elbow, 1/2 x 90, BLK  | 8615-104-037 | 1   |
| 12  | Nipple, 1/2 x 4 1/2, BLK                                    | 8665-073-008 | 1   |
| 13  | Control Assy, Gas   | 9857-134-001 | 1   |
| 14  | Manifold, Assy  | 9381-012-001 | 1   |
| *   | Orifice, Burner-Natural #32                                 | 9425-069-009 | 2   |
| *   | Orifice, Burner-LP #51                                      | 9425-069-012 | 2   |
| 15  | Bracket, Manifold   | 9029-175-001 | 2   |
| 16  | Pipe Plug in end of Burner Manifold                         | 8615-104-038 | 1   |
| *   | Screw, 10B x 3/8"   | 9545-008-006 | 2   |
| *   | Bracket, High Limit Thermostat                              | 9029-192-001 | 1   |
| 17  | Thermostat, Hi-Limit  | 9576-203-002 | 1   |
| *   | Spacer, Hi-Limit  | 9538-142-001 | 2   |
| *   | Screw 8B x 3/4"   | 9545-045-007 | 2   |
| 18  | Cover, Hi-Limit Stat  | 9074-329-001 | 1   |
| *   | Screw, 10B x 3/8"   | 9545-008-006 | 2   |
| 19  | Thermostat, Safety Shutoff                                  | 9576-207-008 | 1   |
| 20  | Screw, 10B x 3/8"   | 9545-008-006 | 2   |
| 21  | Cover, Safety Stat  | 9825-062-001 | 2   |
| *   | Screw, 10AB x 3/8   | 9545-008-006 | 3   |
| *   | Control, Ignition Fenwall (3 trybox)                        | 9857-182-001 | 1   |
| *   | Kit, LP Conversion 30Lb Stack Kit                           | 9732-102-016 | 1   |
| 22  | Heat Recirculation Duct, (From Exhaust to Burner            | 9973-033-001 | 2   |
| *   | Screw, 10B x 3/8"   | 9545-008-006 | 8   |
| 23  | Shield-Burner Inlet   | 9550-173-001 | 1   |
| *   | Make-Up air Vent Kit  | 9732-333-001 | 1   |





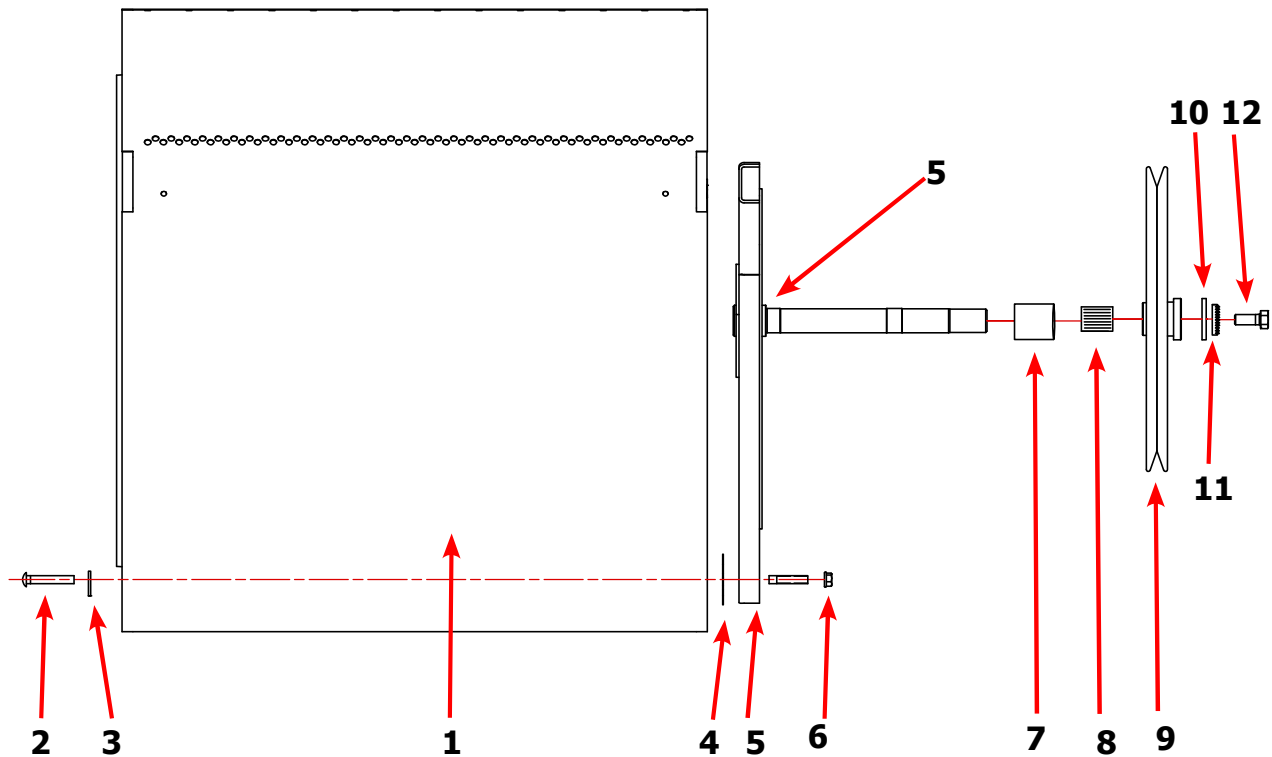
# Bearing Housing Group

| Key | Description  | T-30 SWD     | QTY |
|-----|--|--------------|-----|
|     | Bearing Housing Complete Assy (Includes bearings & Spacer) | 9803-160-003 | 1   |
| 1   | Housing, Bearing   | 9241-161-002 | 1   |
| *   | Spacer, Bearing  | 9538-139-002 | 1   |
| 2   | Bearing, Ball, Front & Rear                                | 9036-130-001 | 2   |
| 3   | Screw-Wizlock, 3/8-24x3/4                                  | 9545-049-002 | 4   |
| 4   | Nut, 3/8-24  | 8640-400-002 | 4   |
| 5   | Screw, 3/8-24x1  | 9545-049-001 | 2   |
| 6   | Nut, 3/8-24  | 8640-415-002 | 2   |
|     |  |              |     |
|     |  |              |     |



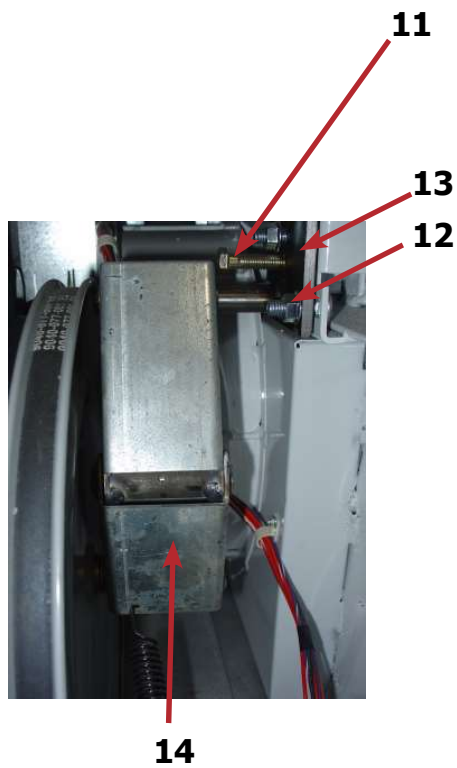
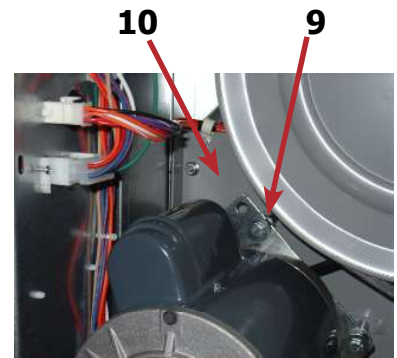
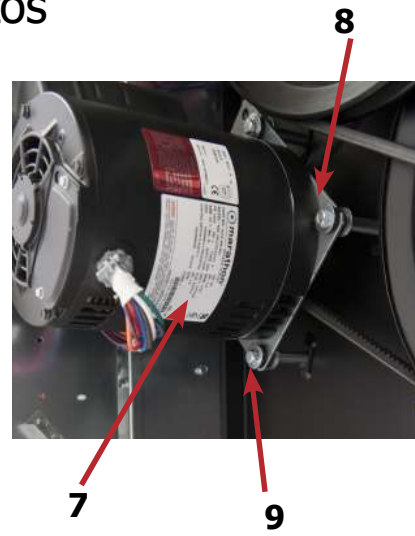
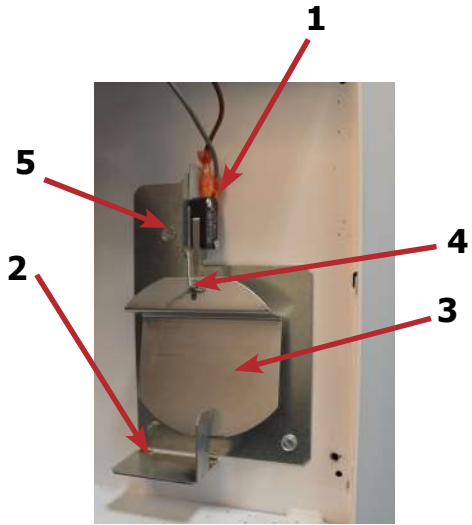
# Tumbler Group

| Key | Description                                      | T-30 SWD     | QTY |
|-----|--|--------------|-----|
| *   | Tumbler Assy Complete W/Spider (GALV)            | 9848-147-001 | 1   |
| 1   | Tumbler Assy (Galvanized)                        | 9848-146-001 | 1   |
| *   | Tumbler Assy Complete W/Spider (SS & Galv front) | 9848-147-002 | 1   |
| 1   | Tumbler Assy (Stainless Galvanized front)        | 9848-146-002 | 1   |
| 2   | Rod, Tumbler                                     | 9497-019-003 | 3   |
| 3   | Washer, Special                                  | 8641-554-001 | 3   |
| 4   | Shim   | 9552-013-000 | AR  |
| 5   | Spider Assy                                      | 9568-015-001 | 1   |
| 6   | Nut, Wiz Lock                                    | 8640-415-004 | 3   |
| 7   | Spacer-Shaft                                     | 9538-164-002 | 1   |
| 8   | Tolerance Ring                                   | 9487-234-005 | 1   |
| 9   | Pulley, Driven                                   | 9908-049-002 | 1   |
| 10  | Washer -Flat 1/2                                 | 8641-581-026 | 1   |
| 11  | LockWasher - IntTooth, 1"                        | 8641-582-016 | 1   |
| 12  | Screw, 1/2-13x1 1/4                              | 9545-017-009 | 1   |
| *   | Belt, Drive                                      | 9040-073-009 | 2   |



|    | Description                                    | T-30 SWD      | QTY |
|----|--|---------------|-----|
| *  | Wire Harness Overtemperature Switch            | 9627-861-001  | 1   |
| *  | Switch Assy, Air Flow                          | 9801-095-001  | 1   |
| 1  | Switch, Air Flow                               | 9539-461-009  | 1   |
| 2  | Bracket, Switch- Air Flow                      | 9029-174-001  | 1   |
| 3  | Actuator, Switch                               | 9008-007-001  | 1   |
| 4  | Pin, Cotter                                    | 9451-169-002  | 1   |
| 5  | Screw 4-40 x 5/8"                              | 9545-020-001  | 2   |
| *  | Nut, Special Twin .#4-40                       | 8640-401-001  | 1   |
| *  | Shield, Switch                                 | 9550-169-003  | 1   |
| *  | Screw 10 Bx 1/4"                               | 9545-008-001  | 3   |
| 7  | Motor, Drive                                   | 9376-331-001  | 1   |
| 8  | Plate, Motor Mtg                               | 9452-740-001  | 1   |
| *  | Bolt 3/8" - 16 x 3/4"                          | 9545-029-008  | 1   |
| *  | Lockwash Spring 3/8                            | 8641-582-003  | 1   |
| 9  | Screw, Motor Plate to Back Assy. 1/4-20x 2 1/2 | 9545-018-019  | 4   |
| 9  | Lockwasher 1/4                                 | 86411-582-007 | 4   |
| 9  | Spacer   | 9538-163-006  | 4   |
| 9  | Flat Washer 1/4 x 7/8.                         | 8641-581-017  | 4   |
| 9  | Rubber Grommet                                 | 9209-086-002  | 4   |
| *  | Grommet Spacers                                | 9538-166-006  | 4   |
| *  | Screw, Set                                     | 9545-028-013  | 4   |
| 10 | Back Assy, Blower Hsg                          | 9962-017-002  | 1   |
| *  | Nut 1/4x20                                     | 8640-414-004  | 7   |
| *  | lock washer                                    | 8640-582-007  | 7   |
| *  | Clamp-cable,3/4                                | 8654-125-004  | 2   |
| *  | Screw-hxhdsitdmach,12abx1/2                    | 9545-048-001  | 2   |
| 11 | SupportAssy, Intermed. Pulley                  | 9991-053-001  | 1   |
| 12 | Bolt, Rd Hd 3/8-16 x 1 1/4                     | 9545-029-010  | 3   |
| 13 | Bolt, 3/8-16 x 1 1/2                           | 9545-029-003  | 1   |
| 12 | Nut Flange Wizioc 3/8" - 16                    | 8640-415-004  | 3   |
| *  | Washer, Flat                                   | 8641-581-035  | 1   |
| 14 | Arm Assy-Tension, Complete                     | 9861-022-001  | 1   |
| *  | Washer, Flat                                   | 8641-581-035  | 1   |

# Rear View Photos



|    | Description  | T-30 SWD     | QTY |
|----|--|--------------|-----|
| 14 | Arm Assy-Tension, Complete                           | 9861-022-001 | 1   |
| *  | Washer, Flat   | 8641-581-035 | 1   |
| 15 | Ring-Retaining                                       | 9487-200-003 | 1   |
| 16 | Pulley Assy, Intermediate with bronze flange bearing | 9908-039-004 | 1   |
| *  | Bearing - Bronze Flange                              | 9036-145-002 | 1   |
| *  | Spacer-Shaft (See Tumbler Group for Expanded View)   | 9538-164-002 | 1   |
| *  | Tolerance Ring                                       | 9487-234-005 | 1   |
| 17 | Pulley, Driven                                       | 9908-049-002 | 1   |
| 18 | Washer -Flat   | 8641-581-026 | 1   |
| 18 | LockWasher - IntTooth, 1"                            | 8641-582-016 | 1   |
| 18 | Screw, 1/2-13x1 1/4                                  | 9545-017-009 | 1   |
| 19 | Belt, Drive- Motor                                   | 9040-077-001 | 1   |
| 20 | Belt, Drive- Tumbler                                 | 9040-073-009 | 1   |
| 21 | Spring, Tension                                      | 9534-319-002 | 1   |
| 22 | Chain, Tension                                       | 9099-012-002 | 1   |
| 23 | Hook, Tension  | 9248-022-002 | 1   |
| *  | Damper Inside Duct Exhaust                           | 9125-007-002 | 1   |
| 24 | Pin, Damper Hinge                                    | 9451-146-001 | 1   |
| *  | Nut, Spring  | 8520-141-000 | 2   |
| *  | Screw #10B x 1/2                                     | 9545-008-026 | 3   |
| *  | Cover Duct Upper                                     | 9825-380-001 | 1   |
| *  | Base Duct  | 9047-118-001 | 1   |
| *  | Screw 10ABx 3/8"                                     | 9545-008-024 | 40  |
| 26 | Impeller, W/Set Screws                               | 9278-040-001 | 1   |
| 27 | Pulley, Motor  | 9453-157-001 | 1   |
| 25 | Heat Recirculation Assembly Duct                     | 9973-033-001 | 1   |
| *  | Bracket for Wire Harness Under Burner Housing        | 9029-173-001 | 1   |
|    |  |              |     |

# Rear View Photos



14



17

18

19

20

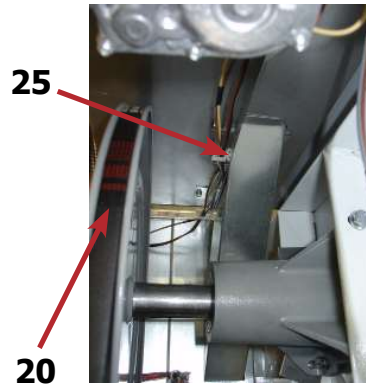
15

16



21

22

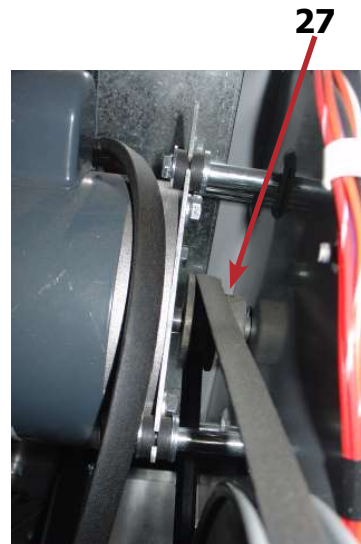


25

20

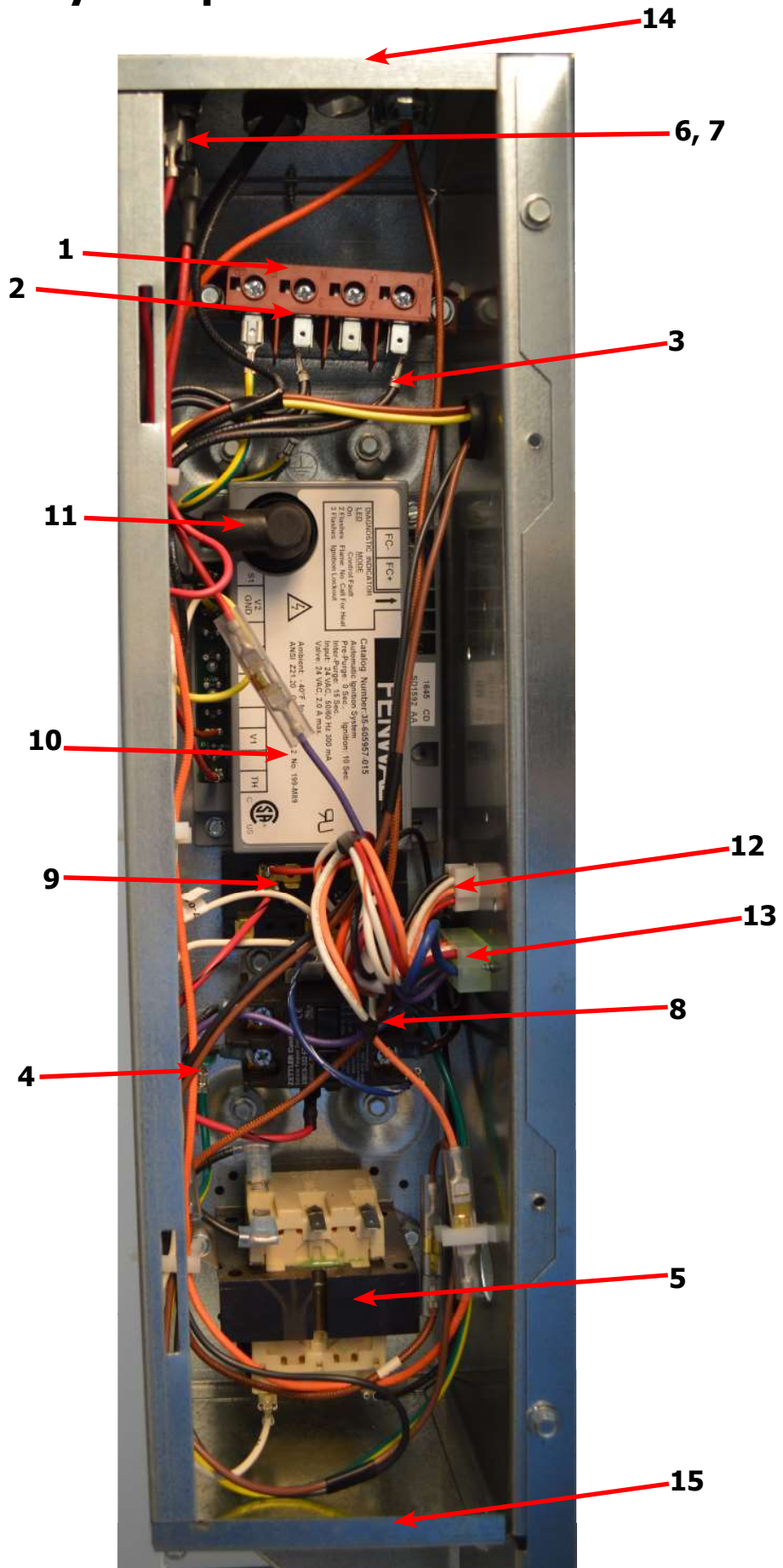


26



27

# Control Assembly Group



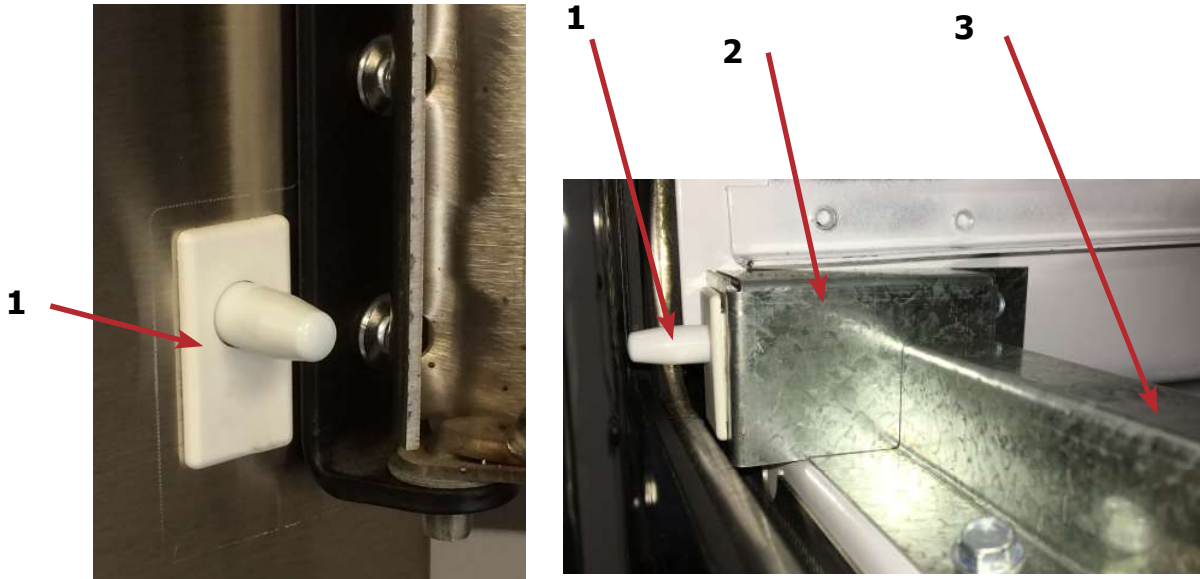


# Control Assembly Group

| Key | Description                             | T-30 SWD     | QTY |
|-----|---|--------------|-----|
| *   | Control, Rear                           | 9857-233-001 | 1   |
| *   | Bracket, Terminal Block Power           | 9029-202-001 | 1   |
| 1   | Strip, Terminal Marker                  | 9558-029-003 | 1   |
| 2   | Terminal-Block, Power, 4 Pole           | 9897-035-001 | 1   |
| *   | Screw, 10AB x 3/8"                      | 9545-008-024 | 4   |
| 3   | Harness Assembly-Power Main Fork, Upper | 9627-859-007 | 1   |
| 4   | Wire Assembly-Ground, GRN/YEL, 7"       | 8220-137-002 | 1   |
| *   | Lock Washer, Ext tooth                  | 8641-582-006 | 1   |
| *   | Screw, 10-32 x 1/2"                     | 9545-008-027 | 1   |
| 5   | Transformer, 208/240/60Hz. 24/120VA     | 8711-007-002 | 1   |
| *   | Screw, 10AB x 3/8"                      | 9545-008-024 | 2   |
| 6   | Fuse Holder Assembly                    | 9200-001-002 | 1   |
| 7   | Fuse, 1.5Amp/250V-Fast Acting           | 8636-018-001 | 1   |
| 8   | Relay, Motor, 30Amp 24VAC               | 5192-299-002 | 1   |
| *   | Screw, Phillips, 8AB x 1/2"             | 9545-045-012 | 2   |
| 9   | Terminal Block, Power                   | 9897-026-001 | 1   |
| *   | Screw, Phillips, 8AB x 1/2"             | 9545-045-012 | 2   |
| *   | Harness-Assembly, Low Voltage, Upper    | 9627-867-011 | 1   |
| 10  | Ignition Module                         | 9857-182-001 | 1   |
| *   | Screw, 10AB x 3/4"                      | 9545-008-018 | 2   |
| 11  | Wire Assembly, High Voltage             | 9631-403-009 | 1   |
| *   | Door-Control Box                        | 9108-141-001 | 1   |
| *   | Screw, 10AB x 3/8"                      | 9545-008-024 | 3   |
| 12  | Harness, Main (Internal Box)            | 9627-863-003 | 1   |
| *   | Harness Main Extention (External Box)   | 9627-913-003 | 1   |
| 13  | Harness Motor                           | 9627-864-007 | 1   |
| 14  | Control Box Panel Upper                 | 9454-943-001 | 1   |
| 15  | Control Box Panel Lower                 | 9454-697-001 | 1   |
| *   | Control Box Wrapper                     | 9636-216-001 | 1   |
| *   | Wire Red/Black 8"                       | 8220-062-047 | 1   |
| *   | Wire White #11, 14"                     | 8220-062-038 | 1   |
| *   | Wire-Blue/White 5.5"                    | 8220-062-026 | 1   |
| *   | Wire Black/Red #9 9"                    | 8220-146-001 | 1   |

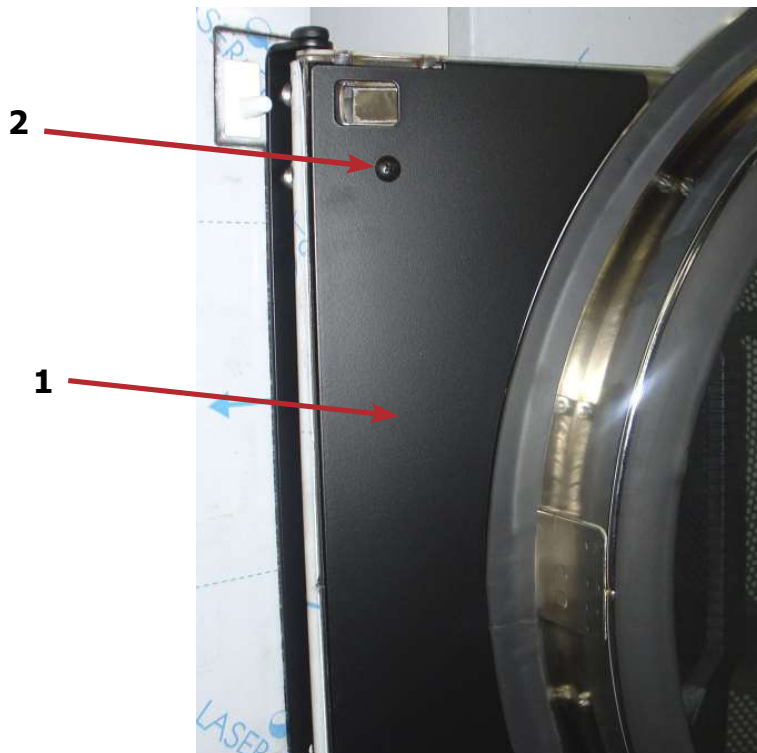
# Door Switch Group

| Key | Description                       | T-30 SWD     | QTY |
|-----|-----------------------------------|--------------|-----|
| 1   | Door Switches                     | 9539-487-001 | 2   |
| 2   | Bracket-Mounting lint tray switch | 9029-303-001 | 1   |
| 3   | Conduit-Wire                      | 6068-051-001 | 1   |
| *   | Grommet Wire 1/2 i.d.             | 9029-089-001 | 1   |

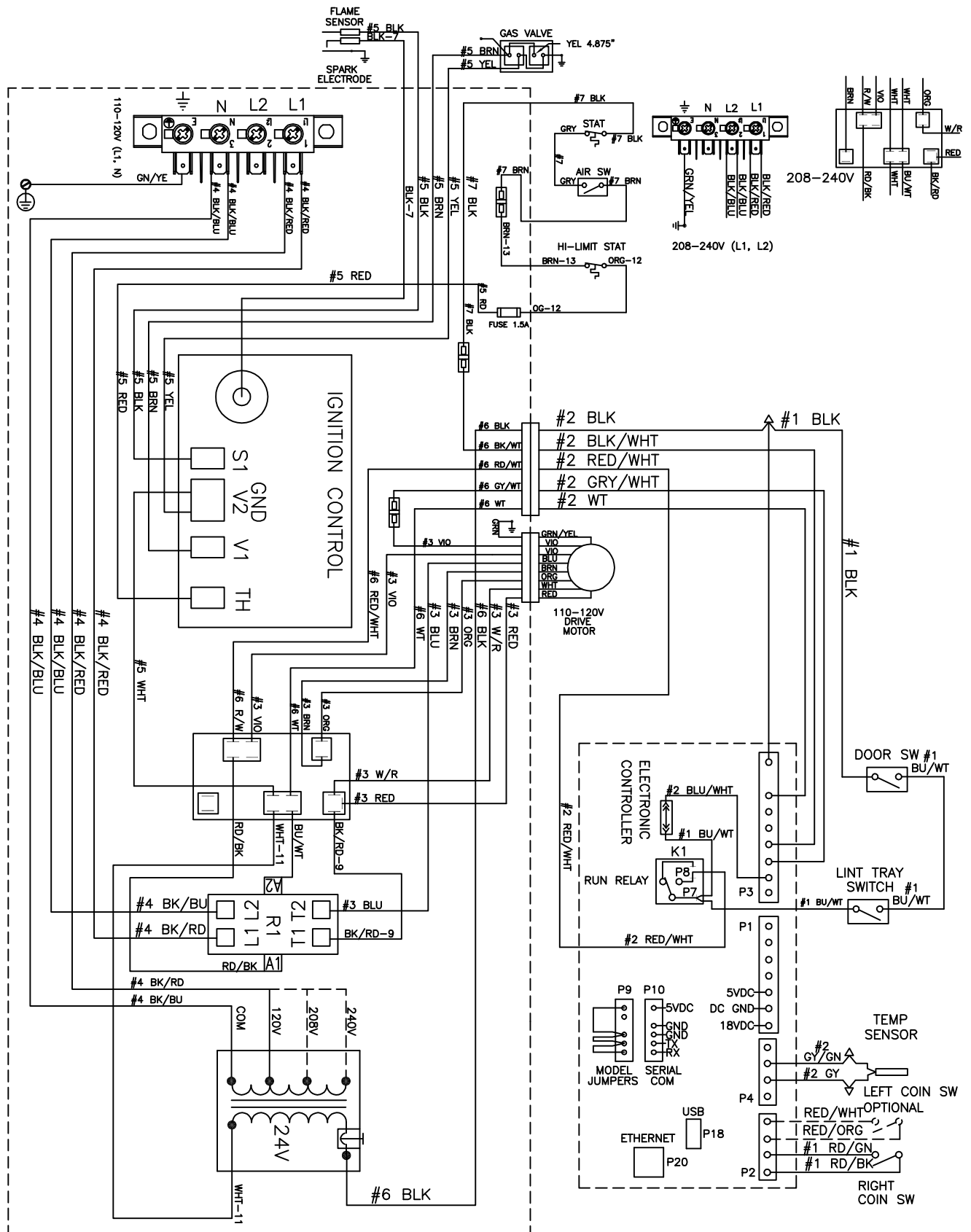


# Hinge Plate Cover

| Key | Description                    | T-30 SWD     | QTY |
|-----|--------------------------------|--------------|-----|
| 1   | Cover-Hinge, Black             | 9074-341-002 | 1   |
| 2   | Screw-TRHDCR, 10B x 3/8, Black | 9545-008-010 | 2   |

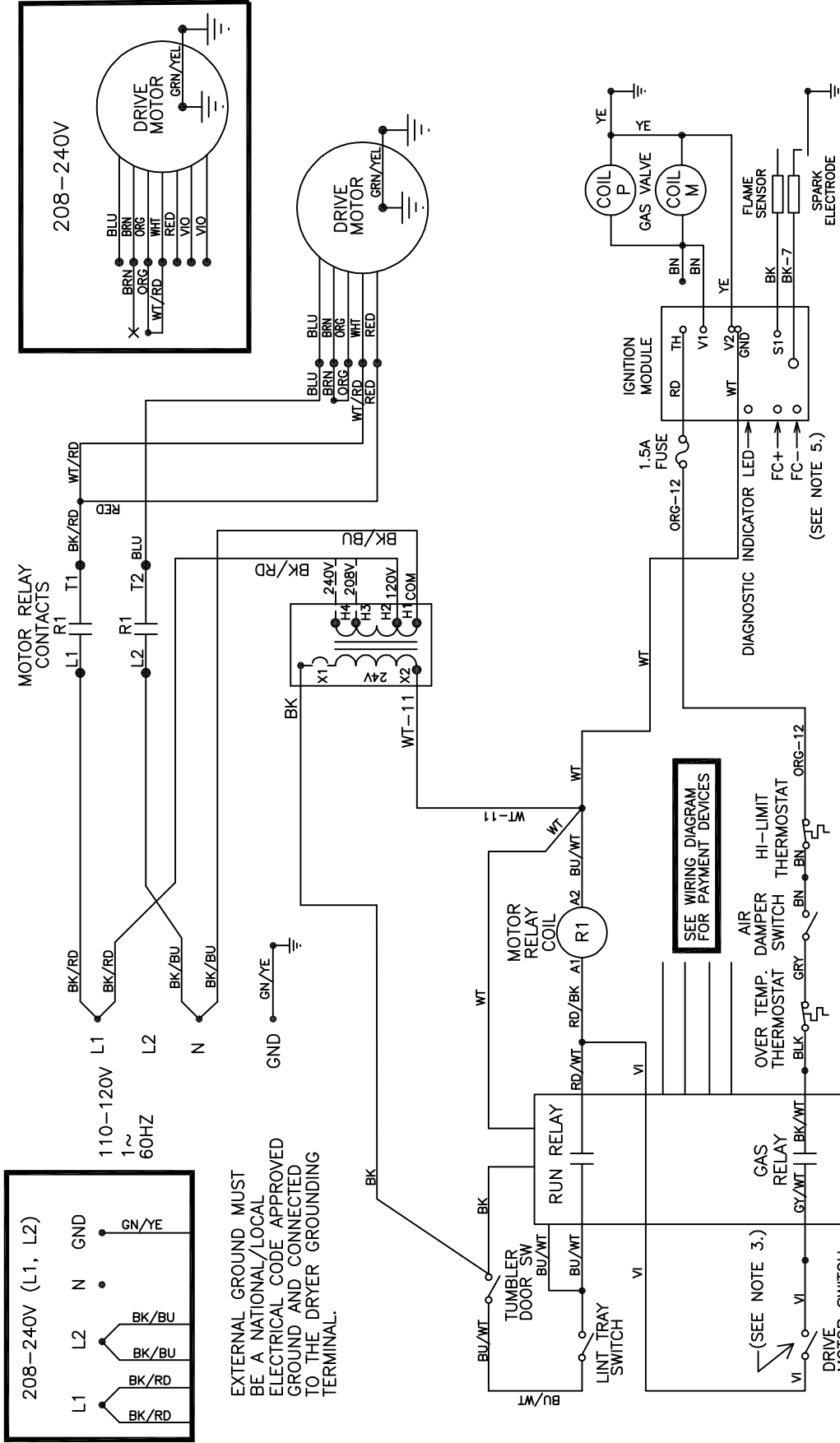


# Wiring Diagram



9506-826-001PR WIRING DIAGRAM DCS030N\_-15\_C\_X-\_\_\_\_-\_\_X

# Wiring Schematic



**NOTES:**

1. DOOR SWITCHES-N.O., CLOSED WHEN DOORS ARE CLOSED.
2. MOTOR RUN RELAY CONTACT WILL CLOSE WHEN THE COIN COUNT IS SATISFIED, THE DOOR CLOSED AND THE START BUTTON PRESSED.
3. CENTRIFUGAL SWITCH-N.O., CLOSURES WHEN MOTOR IS UP TO SPEED.
4. REFER TO OWNER'S MANUAL FOR DESCRIPTION OF OPERATION AND REQUIREMENTS FOR HEATING CIRCUIT.
5. WITH A DC MICROAMMETER, FLAME CURRENT CAN BE MEASURED AT TEST POINTS. READING SHOULD BE 0.7uA DC OR HIGHER.

**CAUTION:** LABEL ALL WIRES PRIOR TO DISCONNECTION WHEN SERVICING CONTROLS. WIRING ERRORS CAN CAUSE IMPROPER AND DANGEROUS OPERATION. VERIFY PROPER OPERATION AFTER SERVICING.

**ATTENTION:** AU MOMENT DE L'ENTRIEN DES COMMANDES, ÉTIQUETEZ TOUS LES FILS AVANT DE LES DÉBRANCHER. DES ERREURS DE CÂBLAGE PEUVENT ENTRAINER UN FONCTIONNEMENT INADÉQUAT ET DANGEREUX. S'ASSURER QUE L'APPAREIL FONCTIONNE ADEQUATEMENT UNE FOIS L'ENTRIEN TERMINE.

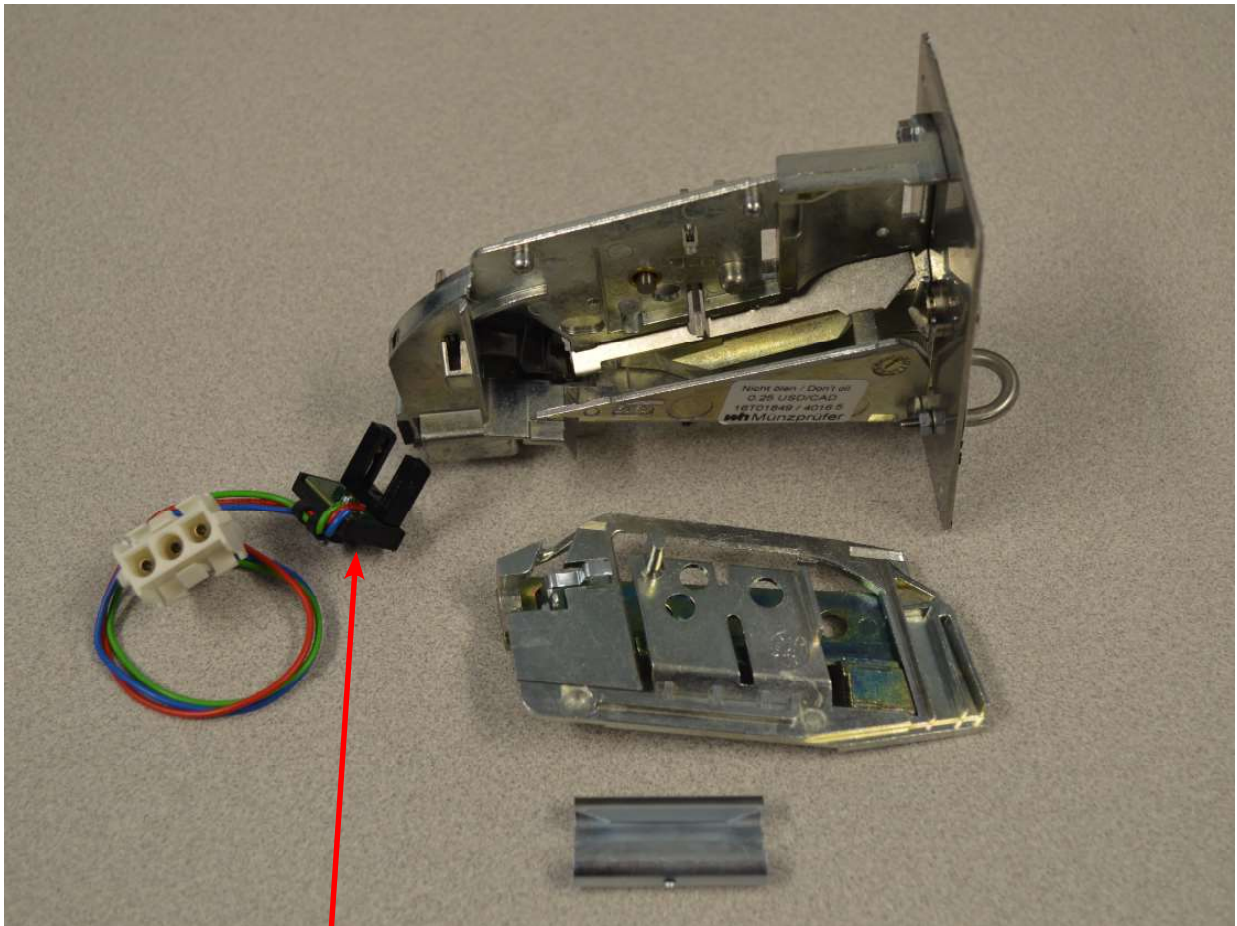
DCS030N\_--15\_C\_X--\_X

SCHEMATIC

9506--826--001PR

# Coin Handling Group

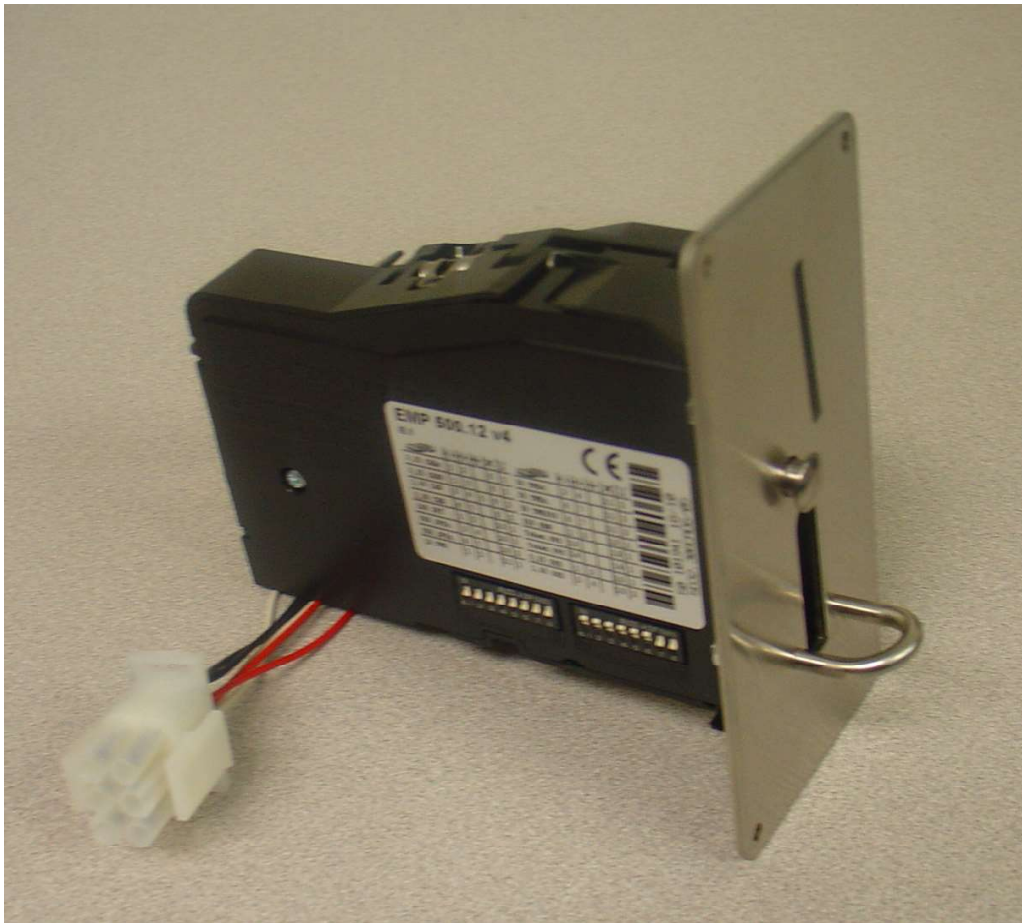
| Key | Description   | Part Number  | Qty |
|-----|---|--------------|-----|
|     | Coin Acceptor, Optical, SWD, US Quarter               | 9021-094-001 | 1   |
| *   | Harness-Extention ,Control to Acceptor, Optical Dryer | 9627-916-002 | 1   |
| *   | Retainer, Coin Acceptor                               | 9486-145-001 | 1   |
| *   | Screw, Torx   | 9545-053-002 | 4   |
| 1   | Switch Assembly, Optical Sensor, SWD                  | 9801-099-003 | 1   |
| *   | Screw-Height Bar, 3mm                                 | 9545-039-002 | 2   |
|     | Below not included                                    |              |     |
| *   | Harness, Acceptor Mechanical (Control to Acceptor)    | 9627-783-003 | 1   |
| *   | Coin Vault  | 9942-027-015 | 1   |
|     | Screw, 10AB X 3/8                                     | 9545-008-024 | 2   |



1

# Coin Handling Group Electronic

| Key | Description                                      | Part Number  | Qty |
|-----|--|--------------|-----|
|     | Kit, Electronic Coin Acceptor                    | 9732-303-004 | 1   |
|     | Acceptor-Electronic, US/CA                       | 9021-054-001 | 1   |
|     | Harness, Control to Acceptor, Dryer              | 9627-909-003 | 1   |
|     | Harness, Control to Acceptor, Washerr            | 9627-909-002 | 1   |
|     | Lable-Wiring, Electronic Acceptor                | 8502-730-001 | 1   |
|     | Retainer Coin Acceptor, Electronic               | 9486-155-001 | 2   |
|     | Screw, 4B x 5/8 ss, Torx T-10                    | 9545-053-002 | 4   |
|     | Below not included                               |              |     |
|     | Harness, Adaptor Electronic to Mechanical switch | 9627-901-001 |     |
|     |  |              |     |



---

# **Section 6:**

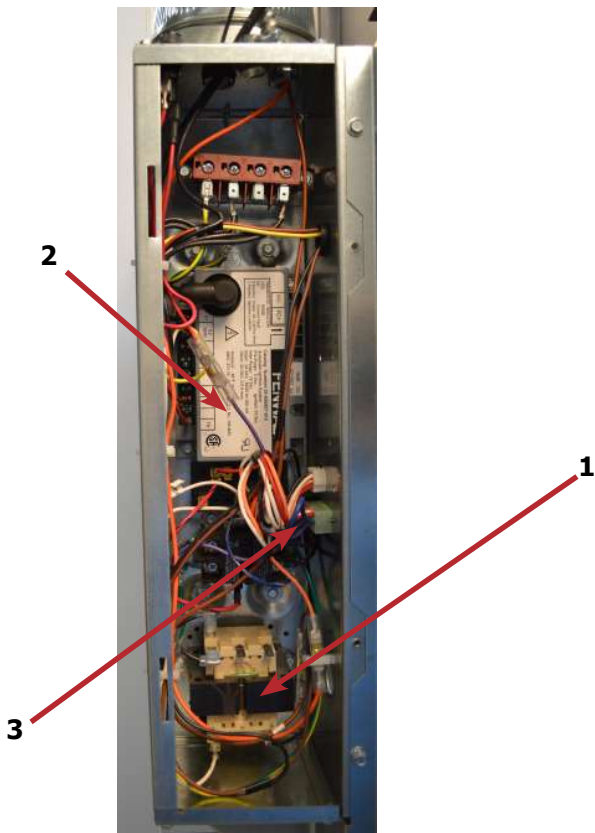
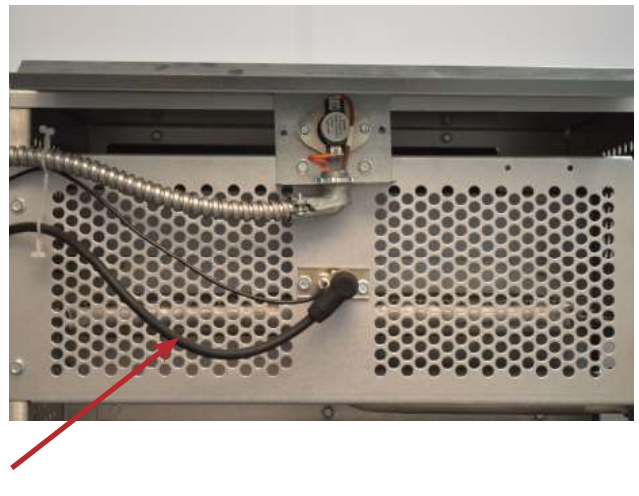
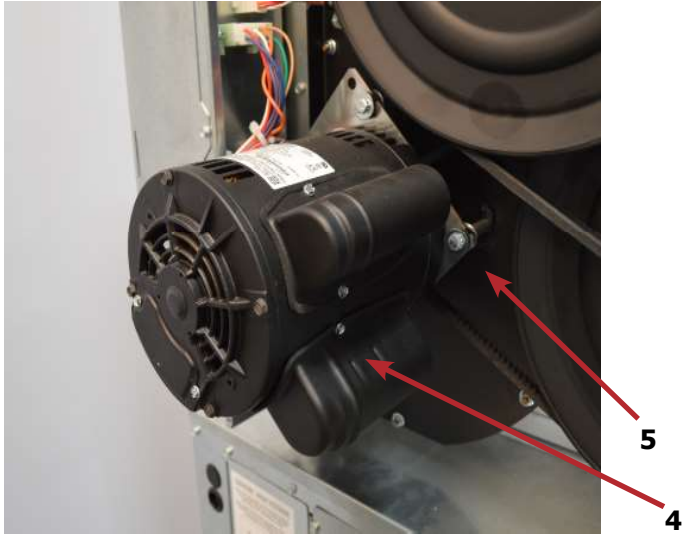
## 50 Hz Gas Dryer

## -39 T-30 SWD 50 Hz Parts

| Key | Description                               | Part Number  | Qty |
|-----|---|--------------|-----|
| *   | Strip, Terminal Marker -39 Models         | 9558-029-004 | 1   |
| 1   | Transformer                               | 8711-007-002 | 1   |
| *   | Instructions, Transformer Connect         | 8507-230-003 | 1   |
| 2   | Ignition Control -39 Models               | 9857-182-001 | 1   |
| *   | Harness-Ignition Control,                 | 9627-867-011 | 1   |
| 3   | Wire Assembly High Voltage                | 9631-403-009 | 1   |
| 4   | Motor                                     | 9376-318-002 | 1   |
| 5   | Pulley, Motor Drive                       | 9453-169-009 | 1   |
| 6   | Harness Motor Extension                   | 9627-864-007 | 1   |
| *   | Wiring Label Schematic/Diagram -39 models | 9506-826-001 | 1   |
| *   | Owner's Manual                            | 8514-286-001 | 1   |
| *   | Lint Drawer Assembly -39 Models           | 9866-004-001 | 1   |
|     |   |              |     |



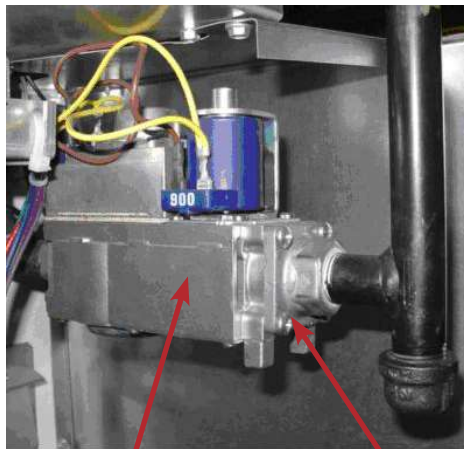
# Rear View Photos



---

## T-30 SWD -39 Gas Control Parts

| Key | Description                     | Part Number  | Qty |
|-----|---------------------------------|--------------|-----|
| 1   | Kit-Honeywell VR86 Valve Flange | 9732-162-001 | 1   |
| *   | Orifice, Main Burner #32        | 9425-069-009 | 2   |
| 2   | Gas Control Valve               | 9857-132-004 | 1   |

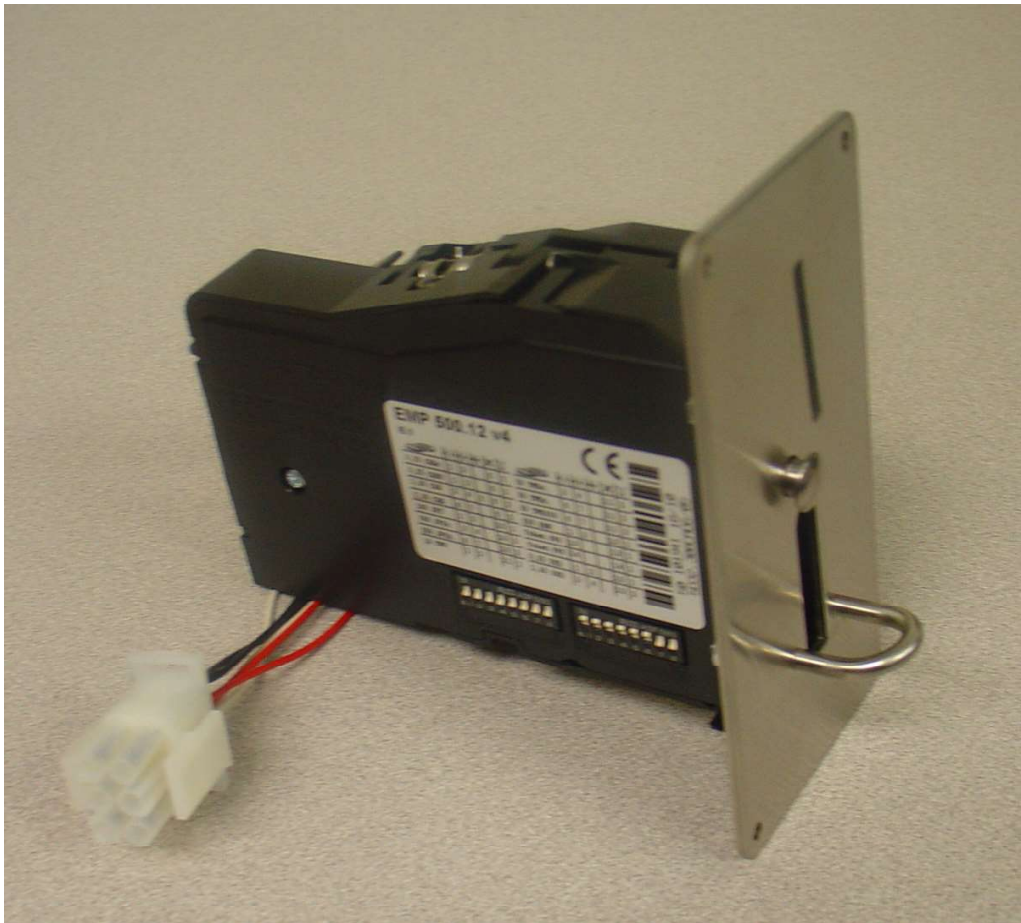


2

1

# Coin Handling Group Electronic

| Key | Description   | Part Number  | Qty |
|-----|---|--------------|-----|
|     | Kit, Electronic Coin Acceptor                               | 9732-303-004 | 1   |
|     | Acceptor-Electronic,  | 9021-054-001 | 1   |
|     | Harness, Control to Acceptor, Dryer (w/o lint door switch)  | 9627-909-003 | 1   |
|     | Harness, Control to Acceptor, Dryer (with lint door switch) | 9627-909-005 | 1   |
|     | Harness, Control to Acceptor, Washerr                       | 9627-909-002 | 1   |
|     | Label-Wiring, Electronic Acceptor                           | 8502-730-001 | 1   |
|     | Retainer Coin Acceptor, Electronic                          | 9486-155-001 | 2   |
|     | Screw, 4B x 5/8 ss, Torx T-10                               | 9545-053-002 | 4   |
|     | Below not included  |              |     |
|     | Harness, Adaptor Electronic to Mechanical switch            | 9627-901-001 | 1   |



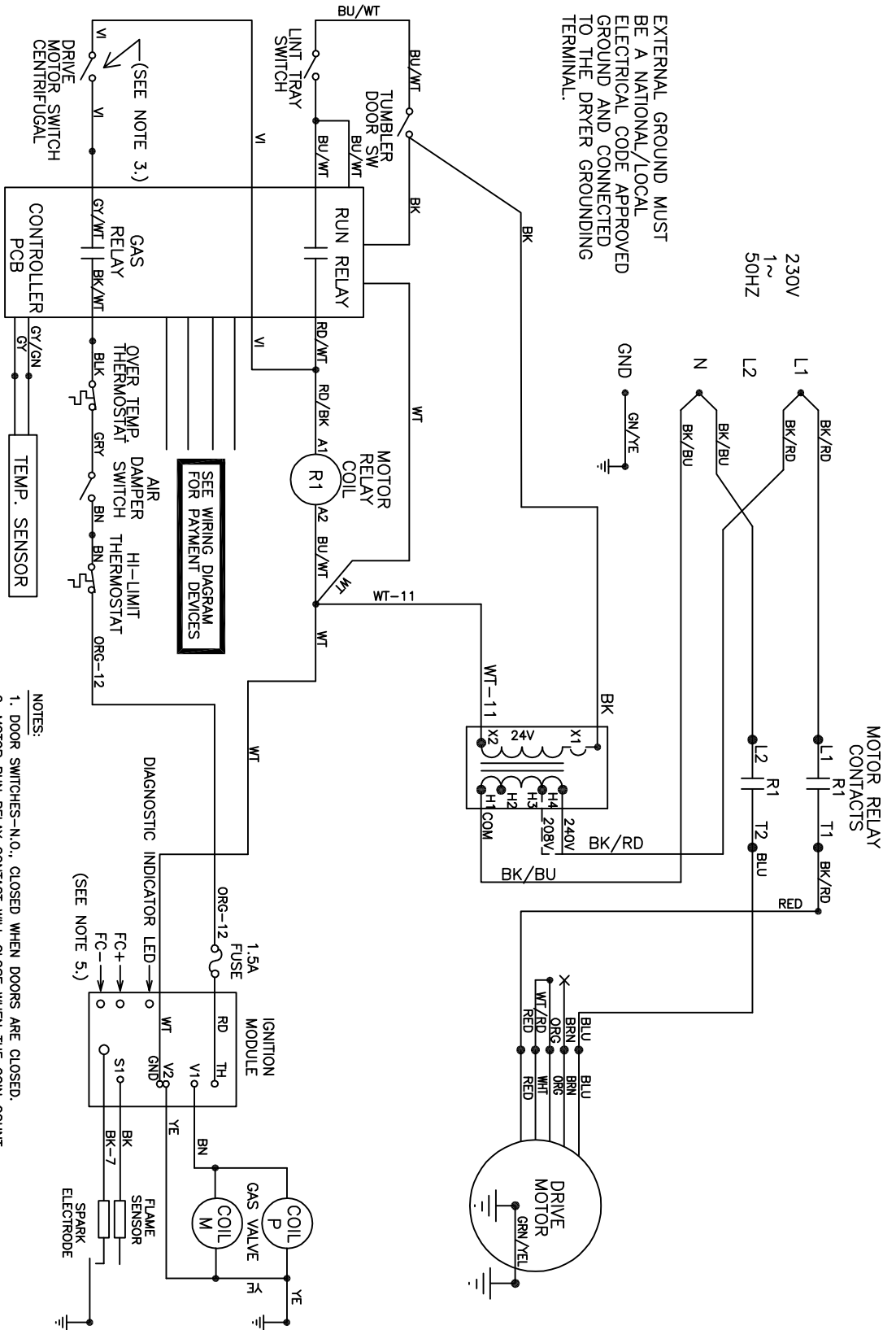
---

# Notes

Lined area for notes.

# Wiring Schematic for Dryer 50hz 230V

EXTERNAL GROUND MUST BE A NATIONAL/LOCAL ELECTRICAL CODE APPROVED GROUND AND CONNECTED TO THE DRYER GROUNDING TERMINAL.



CAUTION: LABEL ALL WIRES PRIOR TO DISCONNECTION WHEN SERVICING CONTROLS. WIRING ERRORS CAN CAUSE IMPROPER AND DANGEROUS OPERATION. VERIFY PROPER OPERATION AFTER SERVICING. ATTENTION: AU MOMENT DEL'ENTRIEN DES COMMANDES, ÉTIQUETEZ TOUS LES FILS AVANT DE LES DÉBRANCHER. DES ERREURS DE CÂBLAGE PEUVENT ENTRAINER UN FONCTIONNEMENT INADÉQUAT ET DANGEREUX. S'ASSURER QUE L'APPAREIL FONCTIONNE ADEQUATEMENT UNE FOIS L'ENTRIEN TERMINÉ.

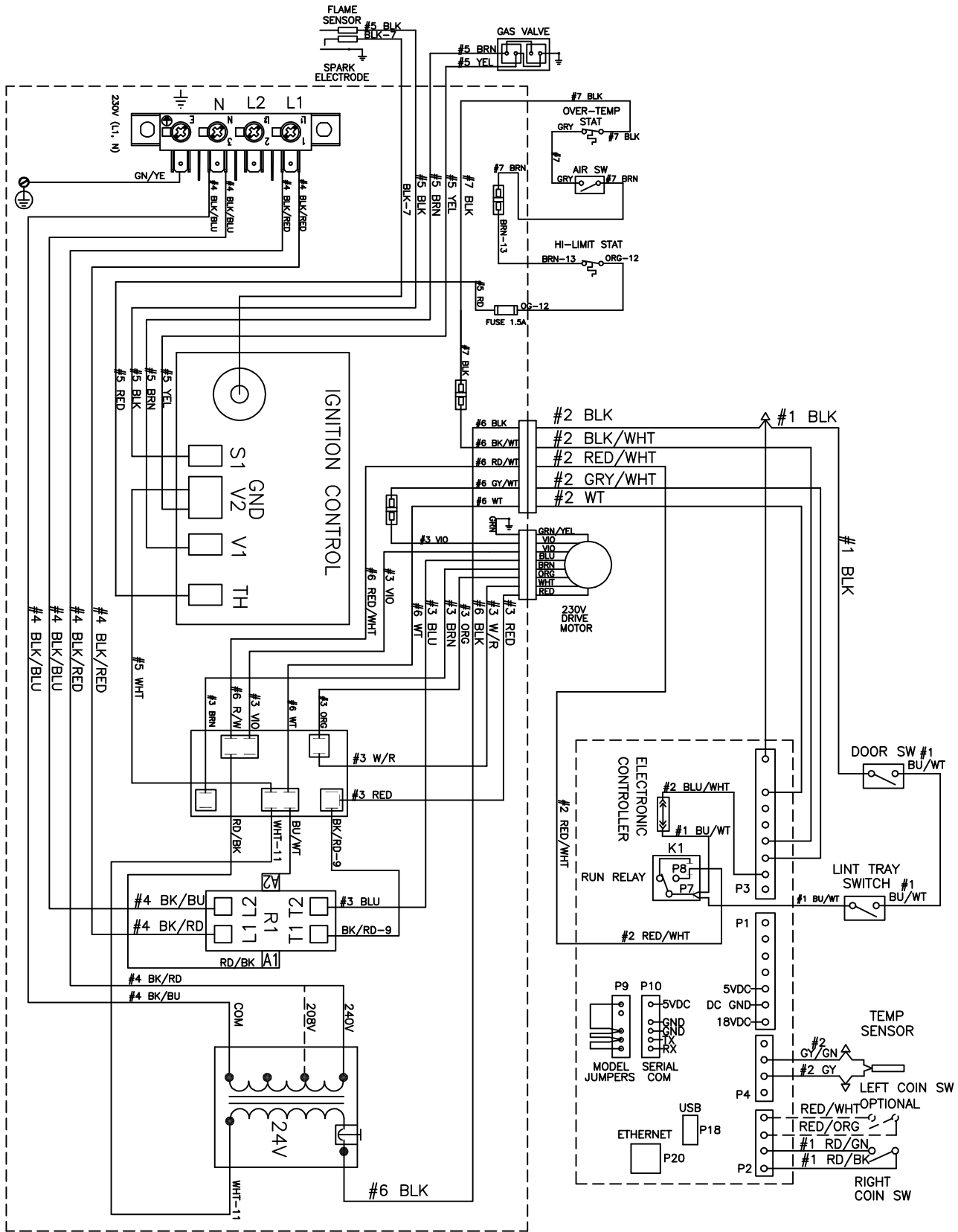
- NOTES:
1. DOOR SWITCHES--N.O., CLOSED WHEN DOORS ARE CLOSED.
  2. MOTOR RUN RELAY CONTACT WILL CLOSE WHEN THE COIN COUNT IS SATISFIED, THE DOOR CLOSED AND THE START BUTTON PRESSED.
  3. CENTRIFUGAL SWITCH--N.O., CLOSURES WHEN MOTOR IS UP TO SPEED.
  4. REFER TO OWNER'S MANUAL FOR DESCRIPTION OF OPERATION AND REQUIREMENTS FOR HEATING CIRCUIT.
  5. WITH A DC MICROAMMETER, FLAME CURRENT CAN BE MEASURED AT TEST POINTS. READING SHOULD BE 0.7UA DC OR HIGHER.

9506-828-001PR

SCHEMATIC

DCS030N--39\_C\_X--X

# Wiring Diagram for Dryer 50hz 230V -21CR



9506-828-001PR WIRING DIAGRAM DCS030N\_-39\_C\_X-\_\_\_\_-\_\_X