

MAT20PD TOP-LOAD WASHER

MAYTAG
COMMERCIAL



DEEP-WATER WASH SYSTEM

- Provides optimal wash performance with deep-water wash and rinse cycle options and vigorous cleaning action.
- Traditional flex-vane agitator provides four distinct wash profiles—from aggressive to gentle—designed to pull clothes from the top to the bottom of the wash basket.
- PowerWash® cycle provides more agitation, hotter water, and an extra rinse for the dirtiest loads.



INTELLIGENT CONTROLS WITH M-SERIES TECHNOLOGY

- Puts owners in charge of their profits, and provides wash-cycle flexibility to end users.
- Simple, step-by-step customized set-up allows each cycle to be priced individually.



POWERFUL DRIVE SYSTEM

- Enhanced design of the triple-lip seal and stainless-steel shaft, in addition to the premium bearings, delivers reliability and consistency.
- Powerful 1/2-HP PSC motor and quad-gear transmission create an efficient wash for every load.



HEAVY-DUTY CABINET

- Possesses the strength needed for high-demand commercial environments.
- Sturdy front panel, side panels, and easy-access base are all manufactured from high-grade, extra-strength galvanized steel.



REMOVABLE FRONT PANEL



PREMIUM PORCELAIN
ENAMEL TOP & LID



EASY-ACCESS STEEL BASE



Visit maytagcommerciallaundry.com or call 800-662-3587

MY170023

OUR COMMITMENT TO DEPENDABLE QUALITY

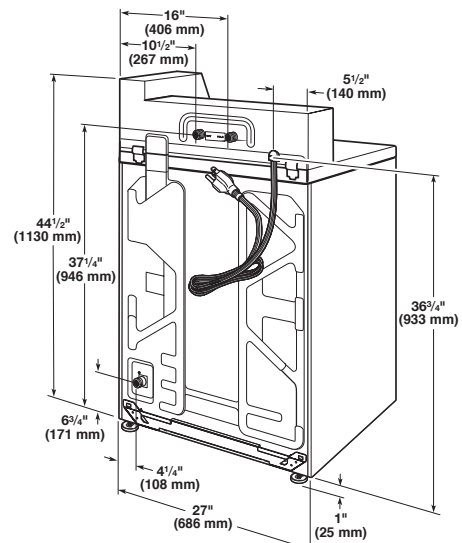
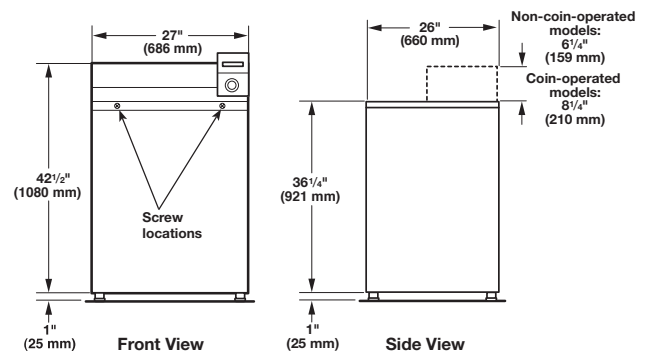
We understand what dependability means to your owners. That's why we use sturdy components and engineer our products to withstand tough commercial laundry environments for years. Our machines deliver consistent results, powerfully cleaning loads of varying sizes with ease. And because we trust our machines to perform, we back them with exceptional warranties. That's what reliability means to Maytag.

MAYTAG® COMMERCIAL TOP-LOAD WASHER INTELLIGENT CONTROLS, COIN-DROP

WASHER SPECIFICATIONS	
MODEL	MAT20PD/WW/DOMESTIC
MOTOR SIZE—HP (KW)	1/2 (.37)
MODIFIED ENERGY FACTOR (MEF)	1.89
WATER FACTOR (WF)	5.72
APPROXIMATE WATER USAGE—GALLONS (LITERS)	
Average total water usage per cycle	16.59 (62.8)
Average hot water usage, warm water cycle	.56 (2.1)
Average hot water usage, hot water cycle	7.03 (26.6)
EXTRACT SPEED—MAX G-FORCE / MAX RPM	144/700
CAPACITY	
Cylinder volume—cu. ft. (liters)	2.9 (82)
Cylinder diameter—in. (mm)	20.8 (528)
Cylinder depth—in. (mm)	23.8 (605)
DIMENSIONS	
Width—in. (mm)	27 (686)
Depth—in. (mm)	26 (660)
Height—in. (mm)	44-1/2 (1,130)
Lid opening—in. (mm)	17 (432)
CRATED DIMENSIONS	
Width—in. (mm)	29 (737)
Depth—in. (mm)	27.5 (699)
Height—in. (mm)	49 (1,255)
APPROXIMATE WEIGHT	
Uncrated—lbs. (kg)	159 (72.1)
Crated—lbs. (kg)	177 (80.3)
ELECTRICAL REQUIREMENTS	
Electrical rating—voltage/hz	120/60
Breaker/Fuse—amps	15
WATER INLET / HOSE	
Operating pressure PSI (bar)	20–100 (1–8)
Inlet hose length—ft. (m)	6 (1.8)
Drain hose length—ft. (m)	4.2 (1.3)
WARRANTY	5-Year Limited

Dimensions are for planning purposes only. See specific instructions for proper installation. Because of continuous product improvement, Maytag reserves the right to change specifications without notice.

MAT20PD TOP-LOAD WASHER



Back View



5-YEAR LIMITED WARRANTY ALL PARTS COVERED

See maytagcommerciallaundry.com for complete warranty details.